

LED DMX Linear Light YUKA Series



Description:

YUKA series LED Linear light is a outdoor linear fixture available in four dimensions: 250mm/350mm/500mm/1000mm . It has monicolor or RGB LEDs able to be controlled by DMX / RDM / 1~10V / leading edge dimming. This product suits perfectly to architectural contour lighting on buildings, ornamental colour washing effects or integration instructors and facades. It's as well a great alternative to urban furniture due to its IP65 protection rating.

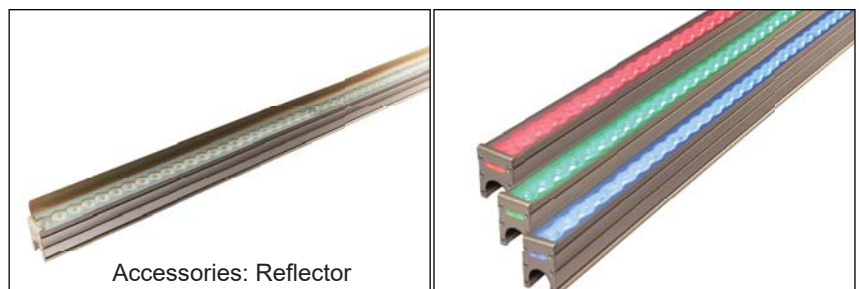
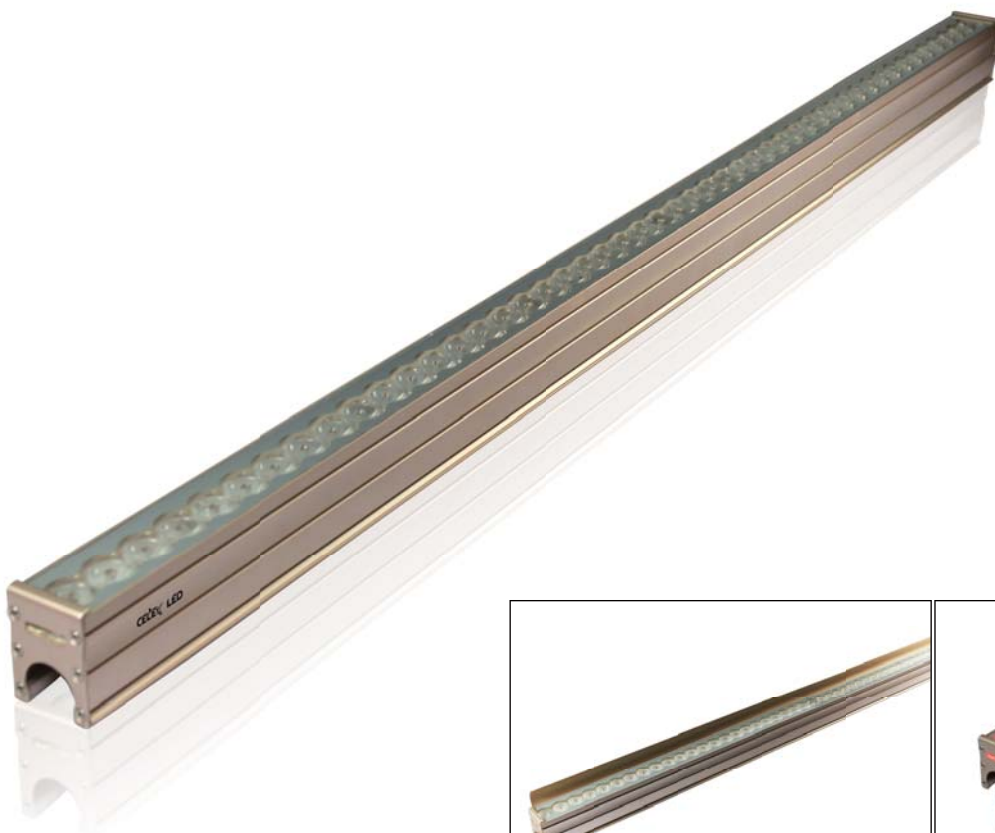
Features:

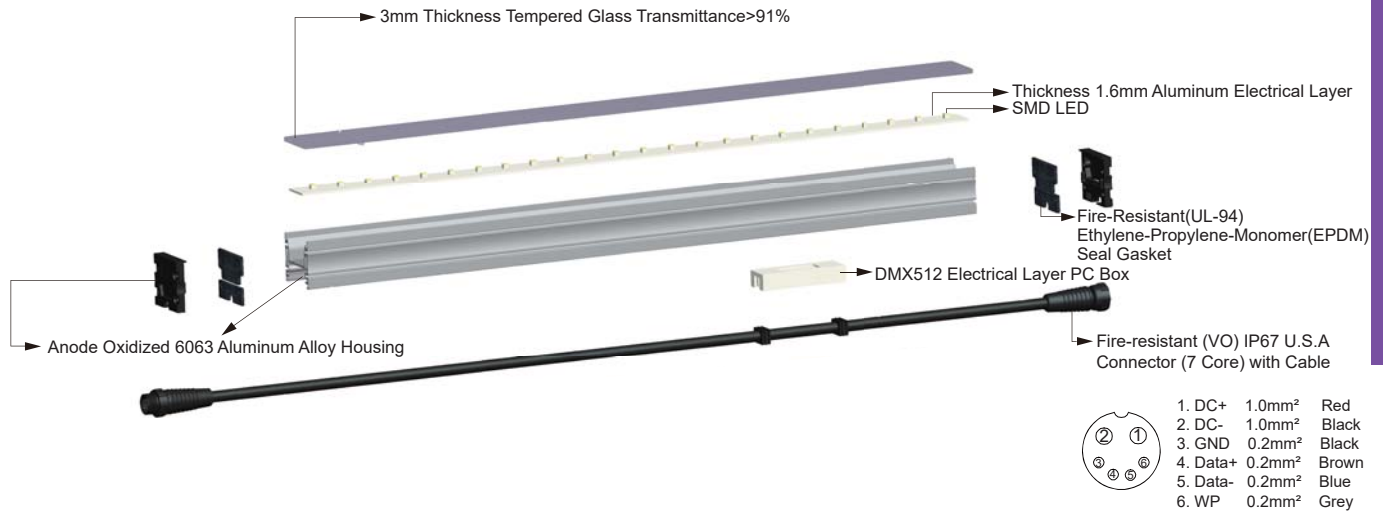
- Comply with DMX-512 (1990)
- Comply with RDM protocol (remote device management)
- Comply with 1~10V and leading edge dimming system
- Anode oxidized 6063 aluminum alloy and 3mm thickness tempered glass housing
- Fired-resistant (UL-94) Ethylene-Propylene-Diene-Monomer* (EPDM) seal gasket
- Integrated fired-resistant (V0) IP67 U.S.A 7 Pin connectors
- Multiple optical fire-resistant (UL94) PMMA lens to distribute narrow, widely and asymmetric beam angles
- Optional AC input, built-in IP67 class II meanwell LED driver complied with UL, CSA, TUV and EMC standard.

Applications:

- Outdoor plaza
- The house of contours
- Bridges
- Landscape lighting

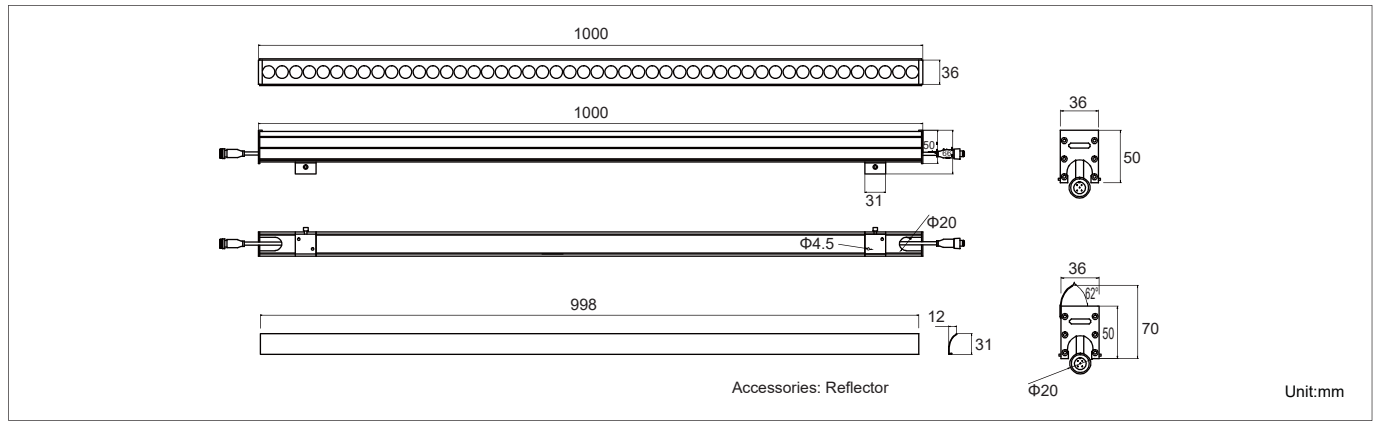
YUKA Series    



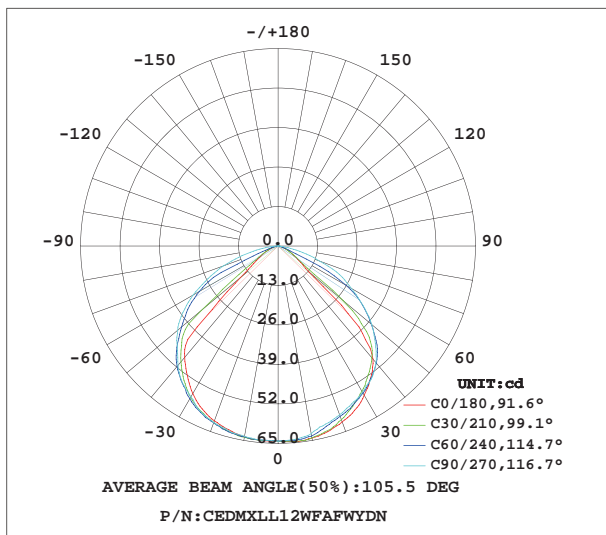


| | | | |
|---|----------|--------------------|-------|
| ① | 1. DC+ | 1.0mm ² | Red |
| ② | 2. DC- | 1.0mm ² | Black |
| ③ | 3. GND | 0.2mm ² | Black |
| ④ | 4. Data+ | 0.2mm ² | Brown |
| ⑤ | 5. Data- | 0.2mm ² | Blue |
| ⑥ | 6. WP | 0.2mm ² | Grey |

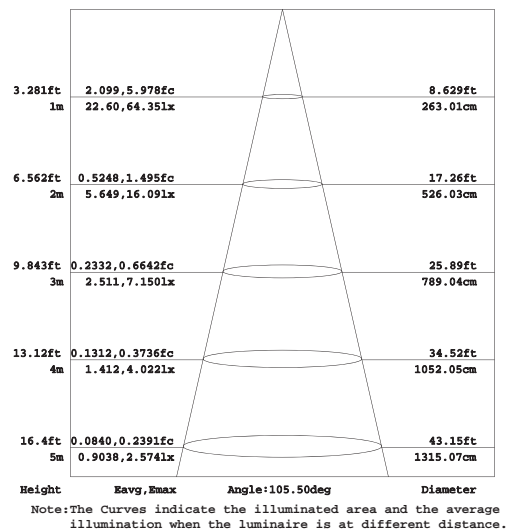
Product Dimensions:



Luminous Intensity Distribution Diagram:



Lux Distribution:



Manufacturing Quality Standard:

- ISO 9001:2008

LED Luminaire Standard:

- EN/IEC 60598-1
- EN/IEC 60598-2-1
- EN/IEC 60598-2-2
- EN/IEC 60529
- EN/IEC 62471-2
- IEC 62612
- EN/IEC 60968
- IEC 62560
- EN/IEC 60061-1
- EN 13032-1
- EN 13032-2
- EN/IEC 62471
- EN/IEC 60825
- EN 60061-1
- UL

Electronic Driver Standard:

- EN/IEC 61347-1
- EN/IEC 61347-2-13
- EN/IEC 62384
- EN/IEC 61000-3-2
- EN/IEC 61000-3-3
- EN/IEC 61547
- EN 55015(CISPR 15)

LED Module Standard:

- IEC 62031
- IEC 60838-2-2

LED Light Photometric Standard:

- CIE; TM14; LM-75; IES; LDT; CEN; CIB

RoHS Standard:

- EPA3050B
- EN 1122B
- IEC 62321
- EPA3052
- EPA3060A
- EPA7196A
- EPA3540C
- EPA8270D

LED Luminaire Performance:

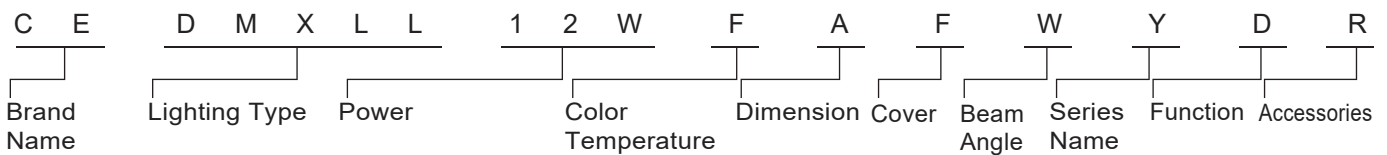
- LM-80-08
- Switching cycle:100,000x



Specifications:

| | | | | |
|--------------------------------|--|---|--|---------|
| Power | 12W | 6W | 5W | 4W |
| Size (Length) | 1000mm | 500mm | 350mm | 250mm |
| Net Weight | 1.5kg | 1kg | 0.65kg | 0.5kg |
| Qty of LEDs | 48PCS | 24PCS | 18PCS | 12PCS |
| Pixels(Sections) per Luminaire | 8Pixels | 4Pixels | 3Pixels | 2Pixels |
| Input Voltage | DC 24V or AC 90~264V 47~63Hz (External Driver) | | | |
| Control Protocol(optional) | DMX 512 / RDM / 1~10V / Triac Dimming Leading Edge | | | |
| RDM Signal | ON / OFF Status of LED Linear | | | |
| Beam Angle | Symmetric Lens: 25° / 30° / 45° / 60° No Lens: 105°(Frosted or Clear Cover) | | | |
| Color Rendering Index | 85@2700K / 85@3000K / 85@3500K / 85@4000K / 80@5000K / 75@6500K | | | |
| Luminaire Efficacy | *75lm/w(2700K), *80lm/w(3000K), *90lm/w(4000K), *95lm/w(5000K), | *100lm/w(6500K), *20lm/w(RGB), *10lm/w(Blue 450~460nm), *50lm/w(Red 620~630nm), | *65lm/w(Green 520~530nm), *30lm/w(Yellow 590~595nm) | |
| LED Source Efficacy | *90lm/w(2700K), *95lm/w(3000K), *110lm/w(4000K), *115lm/w(5000K), | *120lm/w (6500K), *35lm/w(RGB), *20lm/w(Blue 450~460nm), *70lm/w(Red 620~630nm), | *80lm/w(Green 520~530nm), *50lm/w(Yellow 590~595nm) | |
| LED Source | Samsung / Taiwan Epistar | | | |
| Life Time | 50,000 Hours at Ta=40°C | | | |
| Operating Temperature | -20~50°C | | | |
| Operating Humidity | 10%~90%RH | | | |
| Finishing Materials | Aluminum and Tempered Glass (Clear or Frosted) | | | |
| Body Color | Sliver / Matte Black / Matte Grey / Tailor-made | | | |
| RAL Color Code | 9006 / 9017 / 7042 / | | | |

Ordering Part No.:



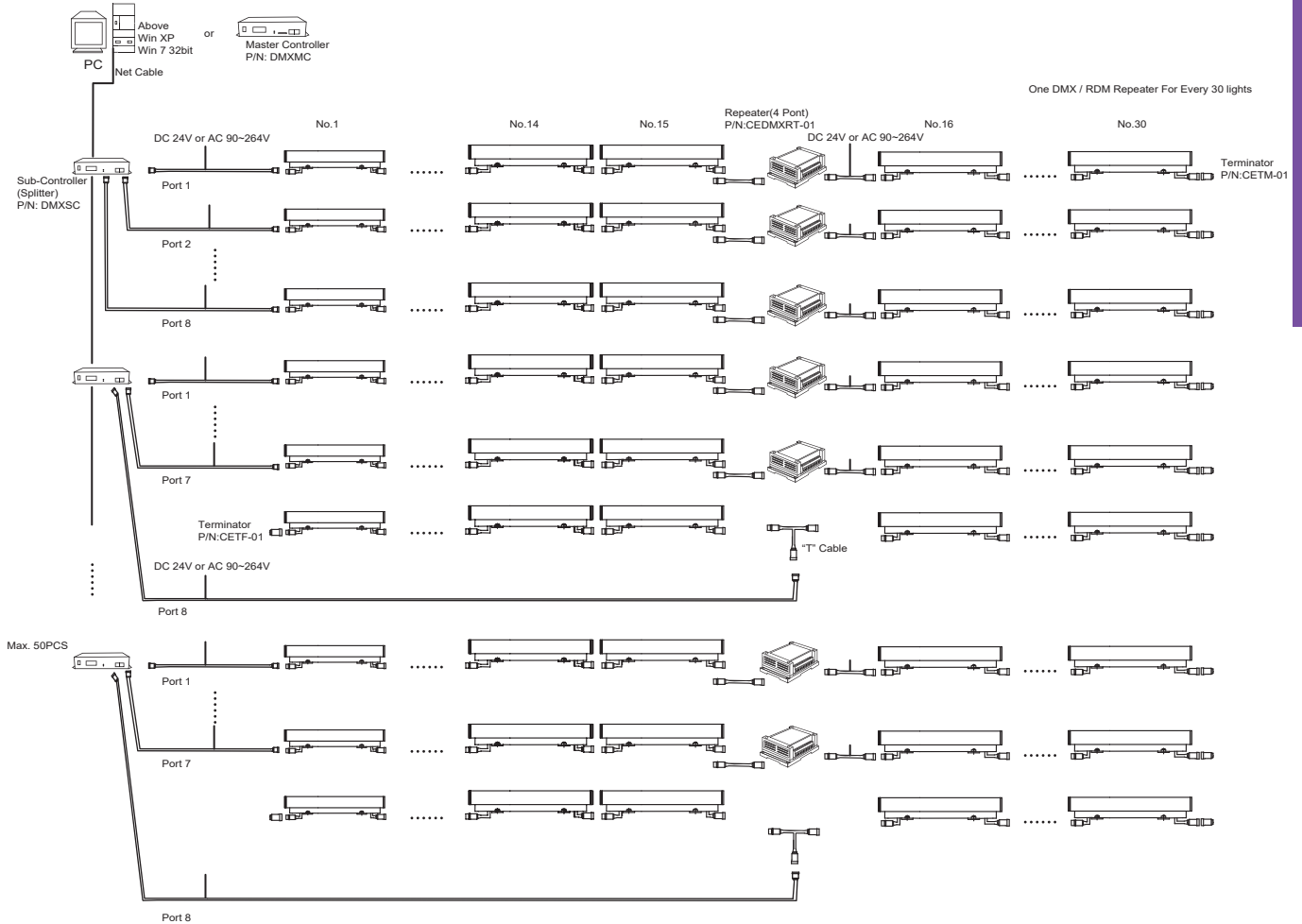
| Brand Name | Lighting Type | Power | Color Temperature | Dimension | Cover | Beam Angle | Series Name | Function | Accessories |
|--------------|----------------------------|----------|----------------------|-------------|---|------------|-------------------|-------------------------------|-----------------|
| CE: CELEX | DMXLL: DMX Linear Light | 12W | O: 2700K | A: 1000mm | L: Lens C: Clear Glass F: Frosted Glass | S: 25° | Y: YUKA Series | D: DMX 512 | N: No Reflector |
| | | 06W | W: 3000K | B: 500mm | | M: 30° | | +DC 24V | |
| 05W | N: 4000K | C: 350mm | L: 45° | +AC 90~264V | | | | | |
| 04W | D: 5000K | D: 250mm | X: 60° | L: DC 24V | | | | | |
| | | | C: 6500K | | | W: 105° | | N: AC 90~264V | |
| | | | R: Red(620~630nm) | | | | | R: RDM+DC 24V | |
| | | | G: Green(520~530nm) | | | | | S: RDM | |
| | | | B: Blue(450~460nm) | | | | | +AC 90~264V | |
| | | | Y: Yellow(590~595nm) | | | | | T: Triac Dimming Leading Edge | |
| | | | F: Full Color(RGB) | | | | | V: 1~10V Dimming +DC 24V | |



LED DMX Linear Light YUKA Series



DMX Controllers:



Accessories:



DMX / RDM Repeater
P/N: CEDMXRT-01



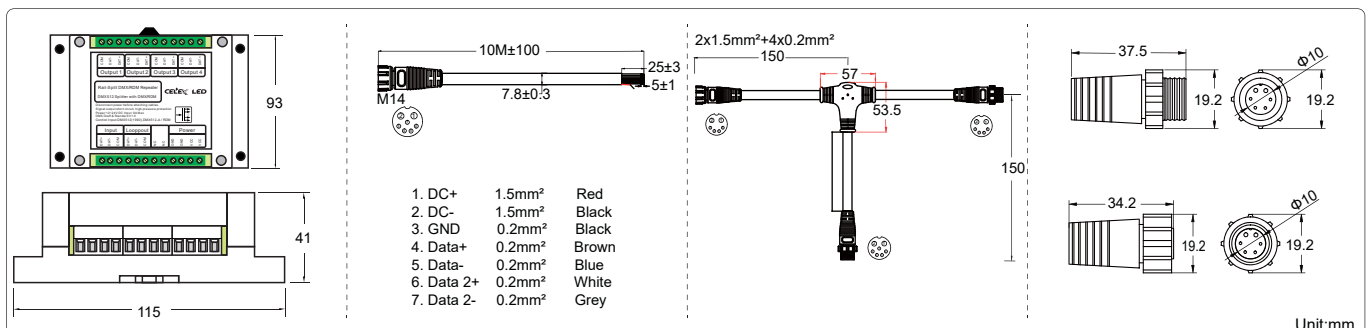
M14 7core signal shielding
extension wire-10m
P/N: CECM14-7C-10M



M14 7 Core "T" Cable-150mm
P/N: CECM14-7C-T



M14 Resistor 120 ohm Terminator
P/N: CETM-01 P/N: CETF-01



Master Controller
P/N: DMXMC



Sub-Controller (Splitter)
P/N: DMXSC

