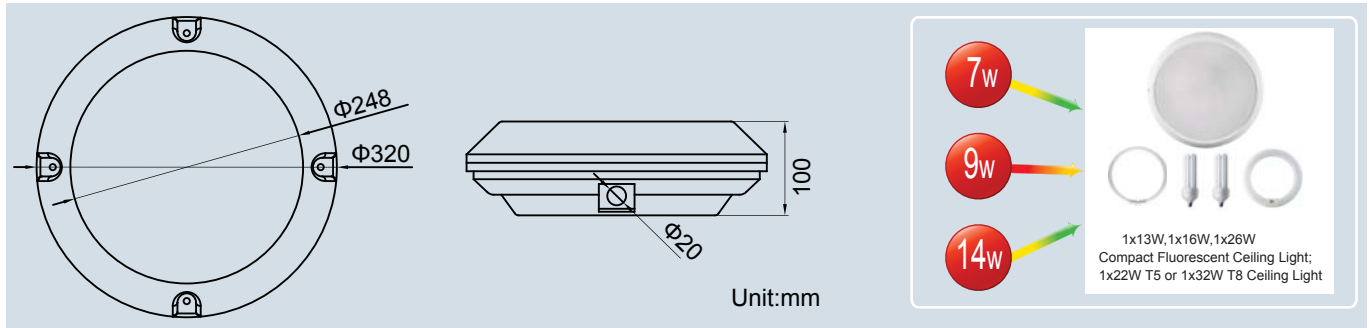
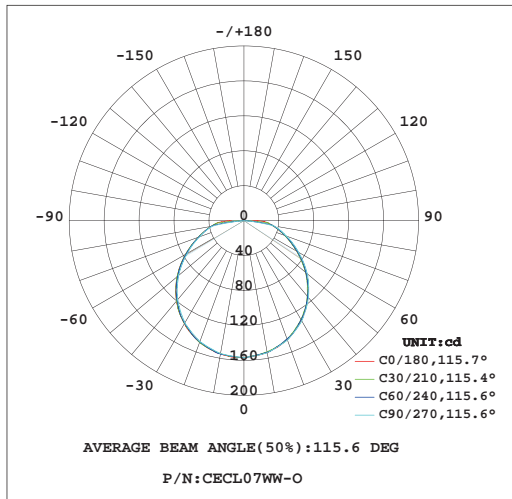




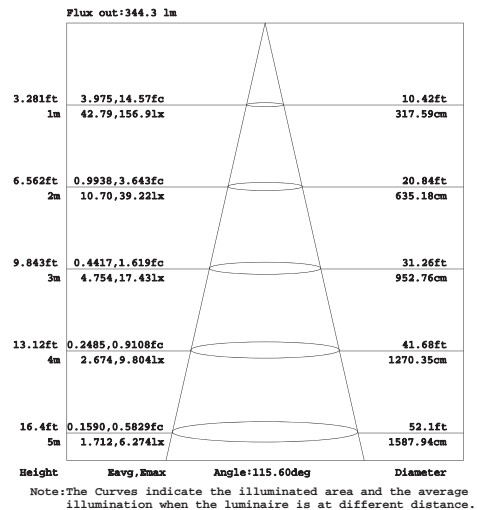
## Product Dimensions:



## Luminous Intensity Distribution Diagram:



## Lux Distribution:



## Manufacturing Quality Standard:

- ISO 9001:2008

## LED Luminaire Standard:

- EN/IEC 60598-1
- EN/IEC 60598-2-1
- EN/IEC 60598-2-2
- EN/IEC 60529
- EN/IEC 62471-2
- IEC 62612
- EN/IEC 60968
- IEC 62560
- EN/IEC 60061-1
- EN 13032-1
- EN 13032-2
- EN/IEC 62471
- EN/IEC 60825
- EN 60061-1

## Electronic Driver Standard:

- EN/IEC 61347-1
- EN/IEC 61347-2-13
- EN/IEC 62384
- EN/IEC 61000-3-2
- EN/IEC 61000-3-3
- EN/IEC 61547
- EN 55015(CISPR 15)

## LED Module Standard:

- IEC 62031
- IEC 60838-2-2

## RoHS Standard:

- EPA3050B
- EN 1122B
- IEC 62321
- EPA3052
- EPA3060A
- EPA7196A
- EPA3540C
- EPA8270D

## LED Luminaire Performance:

- Switching cycle:100,000x

## LED Light Photometric Standard:

- CIE; TM14; LM-75; IES; LDT; GEN; CIB



## Features:

- 7W ceiling light can replace 13W compact fluorescent lamp ceiling light
- 9W ceiling light can replace 16W compact fluorescent lamp ceiling light
- 14W ceiling light can replace 26W compact fluorescent lamp or 22W T5 or 32W T8 ceiling light
- Wall-mounted & ceiling mounted
- Each LED module is independent working
- White powder coating with polycarbonate cover
- Life time:50,000 hours at Ta=40°C
- Lumen depreciation:<5% after 10,000 hours
- Lumen depreciation:<30% after 50,000 hours
- High power factor and power efficiency design
- Fuse terminal design for short circuit protection
- 1~10V Optional Dimmable Function

## Applications:

- Commercial building
- Corridor and staircase
- Home use
- Car parks



## Specifications:

Part No	CCT	Beam Angle	Color Rendering Index	Luminous (lm)	Efficacy (lm/w)	LED Sources (lm)	Wattage
CECL07WW-O	2700K	120°	80	455	65	600	7W
CECL07WN-O	4000K	120°	80	490	70	660	7W
CECL07WC-O	6500K	120°	80	525	75	720	7W
CECL09WW-O	2700K	120°	80	585	65	800	9W
CECL09WN-O	4000K	120°	80	630	70	880	9W
CECL09WC-O	6500K	120°	80	675	75	960	9W
CECL14WW-O	2700K	120°	80	910	65	1200	14W
CECL14WN-O	4000K	120°	80	980	70	1320	14W
CECL14WC-O	6500K	120°	80	1050	75	1440	14W

Remark: Life time 50,000 hrs basing on 4 hrs working per day at Ta=40°C

## General And Electrical Characteristics:

- Input Voltage: AC 176-264V or 100~120V (50/60Hz)
- Power Factor:0.95
- Total Harmonic Distortion:20%
- Operating Temperature:-30°C ~ 60°C
- Operation Humidity:0~95%
- Life Time:50,000 Hours at Ta=40°C
- LED Sources:Samsung or Taiwan
- Finishing Materials:White Powder Coating with Polycarbonate Cover
- Body Color:Milky White
- Net Weight:1.8kg

## Installation Guide:

1. Open the package and "OFF" the Switch
2. Open the PC cover from LED Ceiling Light
3. Loosening screws to remove LED panel
4. Power cable connection
5. Fixing the metal plate and fixing the LED panel
6. Close the PC cover and "ON" the switch

