

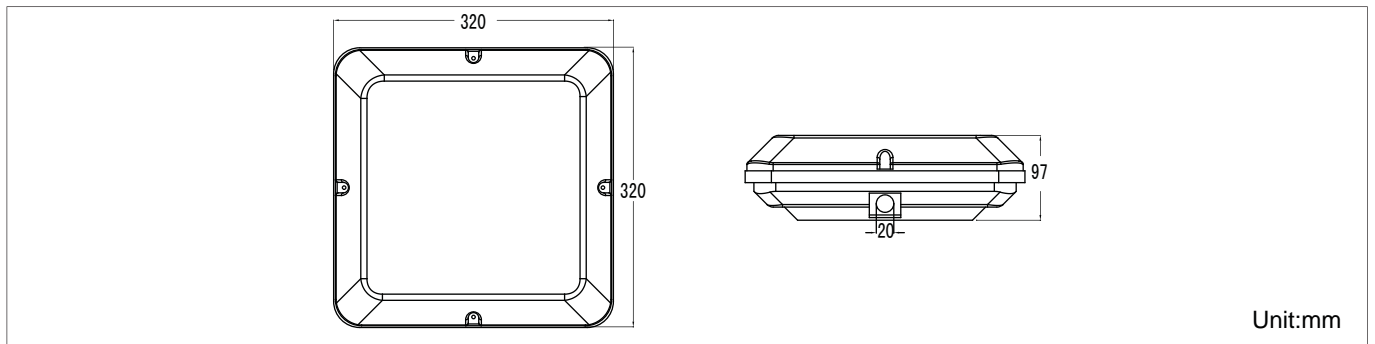
# LED Ceiling Light Waterproof Crystal "F" Series



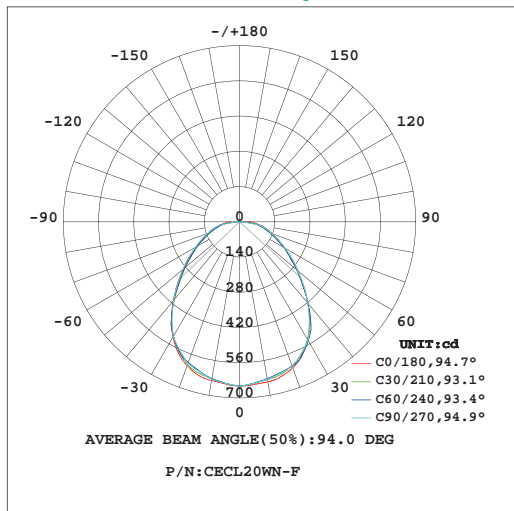
LED Ceiling Light "F" Series



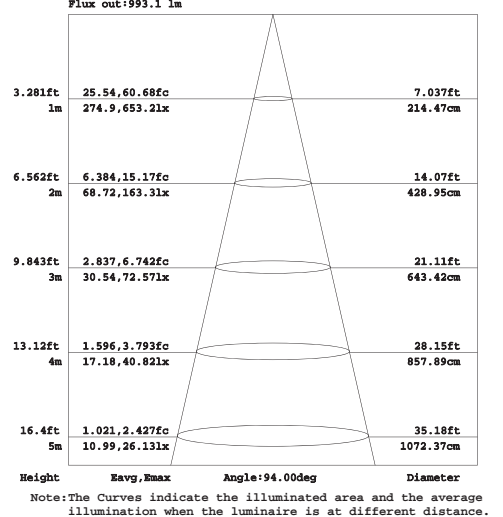
## Product Dimensions:



## Luminous Intensity Distribution Diagram:



## Lux Distribution:



### Manufacturing Quality Standard:

- ISO 9001:2008

### LED Luminaire Standard:

- EN/IEC 60598-1
- EN/IEC 60598-2-1
- EN/IEC 60598-2-2
- EN/IEC 60529
- EN/IEC 62471-2
- IEC 62612
- EN/IEC 60968
- IEC 62560
- EN/IEC 60061-1
- EN 13032-1
- EN 13032-2
- EN/IEC 62471
- EN/IEC 60825
- EN 60061-1

### Electronic Driver Standard:

- EN/IEC 61347-1
- EN/IEC 61347-2-13
- EN/IEC 62384
- EN/IEC 61000-3-2
- EN/IEC 61000-3-3
- EN/IEC 61547
- EN 55015(CISPR 15)

### LED Module Standard:

- IEC 62031
- IEC 60838-2-2

### RoHS Standard:

- EPA3050B
- EN 1122B
- IEC 62321
- EPA3052
- EPA3060A
- EPA7196A
- EPA3540C
- EPA8270D

### LED Luminaire Performance:

- LM-80-08
- Switching cycle: 100,000x

### LED Light Photometric Standard:

- CIE; TM14; LM-75; IES; LDT; CEN; CIB



## Features:

- 7W ceiling light can replace 13W compact fluorescent lamp ceiling light
- 9W ceiling light can replace 16W compact fluorescent lamp ceiling light
- 14W ceiling light can replace 26W compact fluorescent lamp or 22W T5 or 32W T8 ceiling light
- Wall-mounted & ceiling mounted
- Each LED module is independent working
- High pressure die-casting aluminum housing with crystal reflector
- Lumen depreciation:<5% after 10,000 hours
- Lumen depreciation:<30% after 50,000 hours
- High power factor and power efficiency design
- Fuse terminal design for short circuit protection
- Built-in constant current power supply
- 1~10V optional dimmable function

## Applications:

- Commercial building
- Corridor and staircase
- Home use
- Car parks



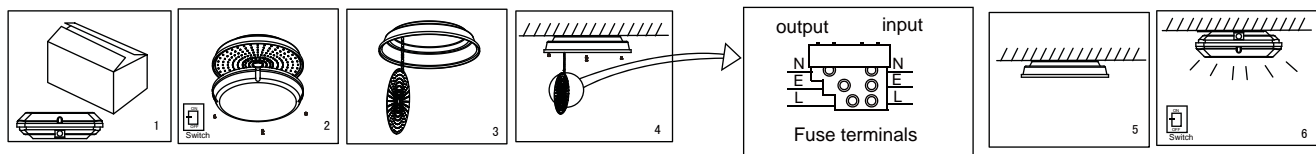
## Specifications:

Part No	CCT (K)	Beam Angle	Color Rendering Index	Luminaire Luminous Flux (lm)	Luminaire Efficacy (lm/w)	LED Source (lm)	Power (W)
CECL07WW-F	2700	94°	80	525	75	700	7
CECL07WN-F	4000	94°	80	560	80	770	7
CECL07WC-F	6500	94°	80	630	90	840	7
CECL09WW-F	2700	94°	80	675	75	900	9
CECL09WN-F	4000	94°	80	720	80	990	9
CECL09WC-F	6500	94°	80	810	90	1080	9
CECL14WW-F	2700	94°	80	1050	75	1400	14
CECL14WN-F	4000	94°	80	1120	80	1540	14
CECL14WC-F	6500	94°	80	1260	90	1680	14
CECL20WW-F	2700	94°	80	1500	75	2000	20
CECL20WN-F	4000	94°	80	1600	80	2200	20
CECL20WC-F	6500	94°	80	1800	90	2400	20
CECL22WW-F	2700	94°	80	1650	75	2200	22
CECL22WN-F	4000	94°	80	1760	80	2420	22
CECL22WC-F	6500	94°	80	1980	90	2640	22

## General And Electrical Characteristics:

- Input Voltage: AC 176~264V or 100~120V (50/60Hz)
- Power Factor:0.95
- Total Harmonic Distortion:20%
- Operating Temperature:-20°C~50°C
- Operation Humidity:0~95%
- Life Time:50,000 Hours at Ta=40°C
- LED Source:Samsung or Taiwan
- Finishing Materials:Aluminum/Polycarbonate Cover
- Body Color:Crystal White
- Net Weight:3.8kg

## Installation Guide:



1. Open the packing and "OFF" the Switch
2. Open the PC cover from LED Ceiling Light
3. Loose screws to remove LED panel
4. Connect power cable
5. Fix the metal plate and the LED panel
6. Close the PC cover and "ON" the switch

