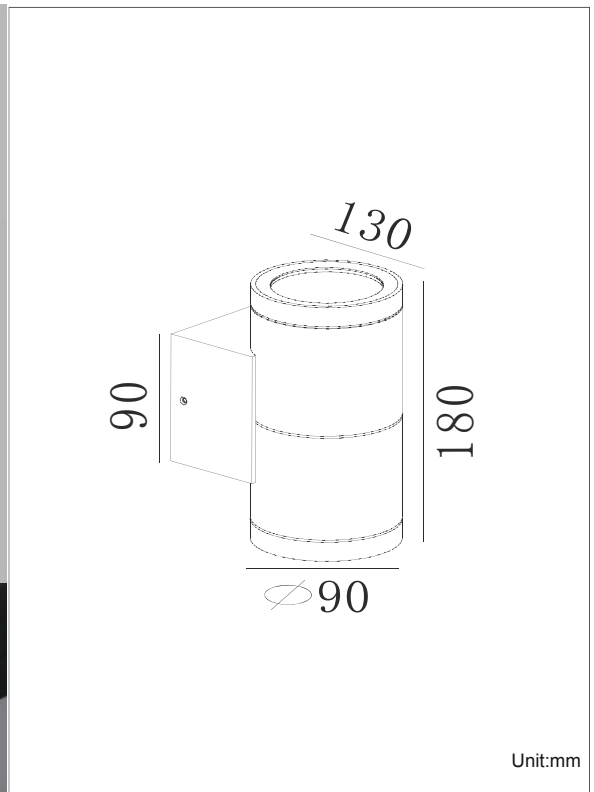
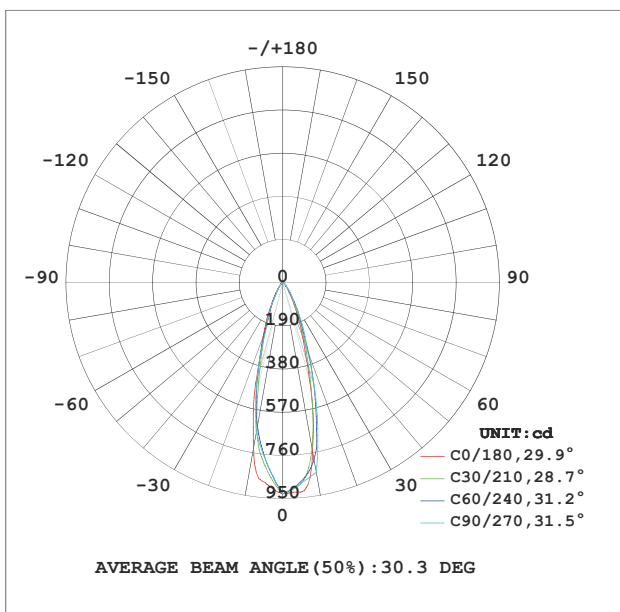


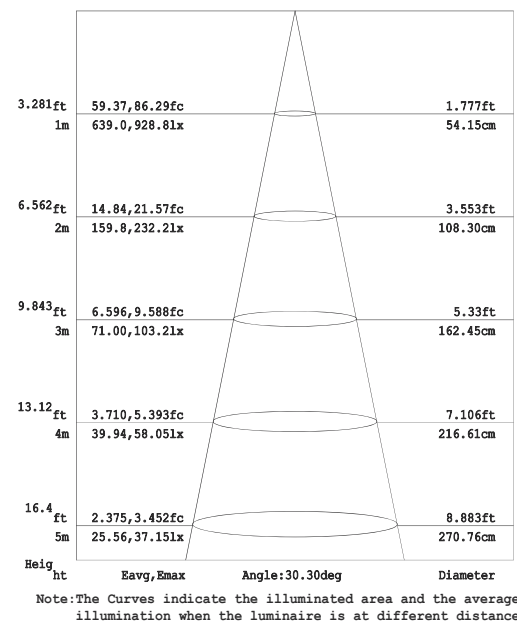
Product Dimensions:



Luminous Intensity Distribution Diagram:



Lux Distribution:



Manufacturing Quality Standard:

- ISO 9001:2008

LED Luminaire Standard:

- EN/IEC 60598-1
- EN/IEC 60598-2-1
- EN/IEC 60598-2-2
- EN/IEC 60529
- EN/IEC 62471-2
- IEC 62612
- EN/IEC 60968
- IEC 62560
- EN/IEC 60061-1
- EN 13032-1
- EN 13032-2
- EN/IEC 62471
- EN/IEC 60825
- EN 60061-1

Electronic Driver Standard:

- EN/IEC 61347-1
- EN/IEC 61347-2-13
- EN/IEC 62384
- EN/IEC 61000-3-2
- EN/IEC 61000-3-3
- EN/IEC 61547
- EN 55015(CISPR 15)

LED Module Standard:

- IEC 62031
- IEC 60838-2-2

LED Light Photometric Standard:

- CIE; TM14; LM-75; IES; LDT; CEN; CIB

RoHS Standard:

- EPA3050B
- EN 1122B
- IEC 62321
- EPA3052
- EPA3060A
- EPA7196A
- EPA3540C
- EPA8270D

LED Luminaire Performance:

- LM-80-08
- Switching cycle:100,000x

Features:

- Extruded aluminium and die-cast aluminium housing with high corrosion resistance.
- Dupont outdoor electrostatic powder painting.
- #304 standard stainless steel fastness part and dia-cast aluminium frame.
- 4mm thickness tempered glass.
- High purity aluminium heat conduction piece.
- Silicon seal gasket.
- Optical level PMMA lens.

Applications:

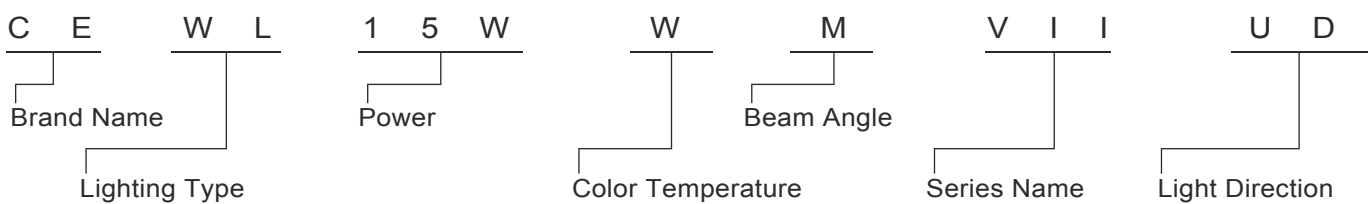
- Public squares
- Parks
- Building
- Hotel



Specifications:

Power	15W / 30W
Input Voltage	AC 220~240V 50/60Hz
Beam Angle	15° / 24° / 40°
Color Rendering Index	80
Housing Materials	Aluminum and Tempered Glass
Luminaire Efficacy	55lm/w (3000K), 60lm/w (4000K), 70lm/w (6500K)
LED Source Efficacy	100lm/w (3000K), 110lm/w (4000K), 120lm/w (6500K)
Operating Temperature	-20~50°C
LED Source	CREE / LUMINUS
Life Time	50,000 Hours at Ta=40°C
Operating Humidity	10%~90%RH
Body Color	Matte Black / Matte Grey
RAL Color Code	RAL9017 / RAL9004
Net Weight	1.3kg

Ordering Part No.:



Brand Name	Lighting Type	Power	Color Temperature	Beam Angle	Series Name	Light Direction
CE: CELEX	WL: Wall Light	15W 30W	W: 3000K N: 4000K C: 6500K	S:15° M:24° L:40°	VII: VOVO II Series	UD:Up and Down U:UP D:Down