

LED DMX Linear Light VIKA Series



Description:

VIKA series LED Linear light is a outdoor linear fixture available in four dimensions: 250mm / 350mm / 500mm / 1000mm / 1500mm. It has monochrome, RGB or RGBW LEDs able to be controlled by DMX / 1~10V / leading edge and Dali dimming. This product suits perfectly to architectural contour lighting on buildings, ornamental colour washing effects or integration instructors and facades. It's as well a great alternative to urban furniture due to its IP65 protection rating.

Features:

- Surface-mounted Type
- Comply with DMX-512 (1990)
- External driver to comply with 1~10V ,leading edge and Dali dimming system
- Anode oxidized 6063 aluminum alloy and 3mm thickness tempered glass housing
- Integrated fire-resistant (V0) IP67 U.S.A 6 Pin connectors
- Display to 16,777,216 colors in RGB or RGB version
- Frame per second:>100 FPS at DMX 512 control
- Dimmable range:0~255 steps at DMX 512 dimming control
- 256 gradations for RGB or RGBW version individually
- Built-in constant current circuit with PWM signal > 400Hz
- Multiple optical fire-resistant (UL94) PMMA lens to distribute narrow, widely and symmetric beam angles
- Unique polycarbonate milky cover diffuser for uniform illumination
- Straight-line installation will not the dark areas

Applications:

- Outdoor plaza
- The house of contours
- Bridges
- Landscape lighting

VIKA Series



Frosted Tempered Glass Cover

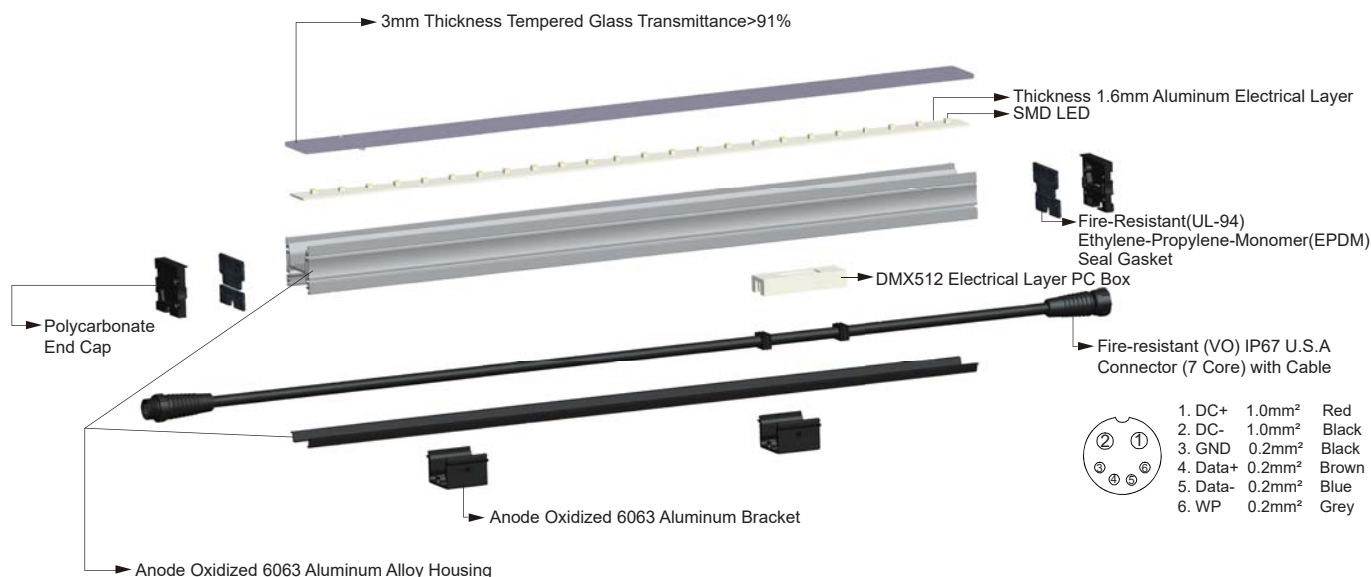


Clear Tempered Glass Cover

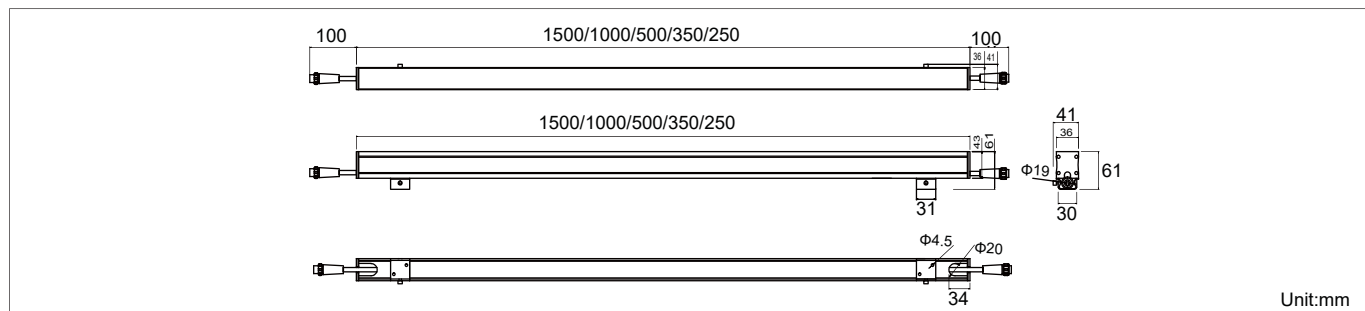


Lens Version(25°/30°/45°/60°)

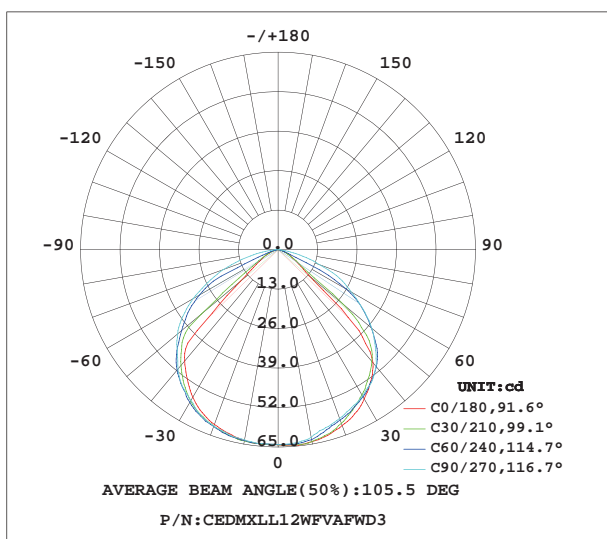




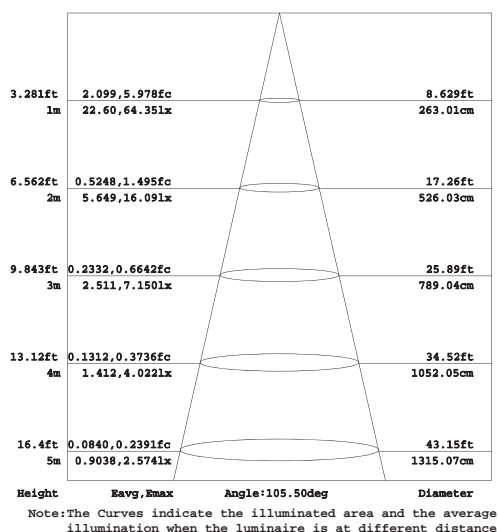
Product Dimensions:



Luminous Intensity Distribution Diagram:



Lux Distribution:



Manufacturing Quality Standard:

• ISO 9001:2008

LED Luminaire Standard:

- EN/IEC 60598-1
- EN/IEC 60598-2-1
- EN/IEC 60598-2-2
- EN/IEC 60529
- EN/IEC 62471-2
- IEC 62612
- EN/IEC 60968
- IEC 62560
- EN/IEC 60061-1
- EN 13032-1
- EN 13032-2
- EN/IEC 62471
- EN/IEC 60825
- EN 60061-1
- UL

Electronic Driver Standard:

- EN/IEC 61347-1
- EN/IEC 61347-2-13
- EN/IEC 62384
- EN/IEC 61000-3-2
- EN/IEC 61000-3-3
- EN/IEC 61547
- EN 55015(CISPR 15)

LED Module Standard:

- IEC 62031
- IEC 60838-2-2

LED Light Photometric Standard:

- CIE; TM14; LM-75; IES; LDT; CEN; CIB

RoHS Standard:

- EPA3050B
- EN 1122B
- IEC 62321
- EPA3052
- EPA3060A
- EPA7196A
- EPA3540C
- EPA8270D

LED Luminaire Performance:

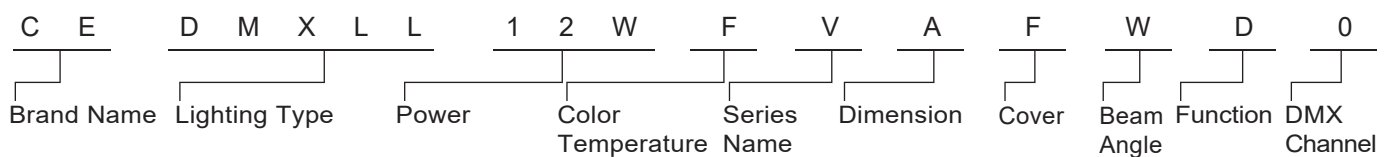
- LM-80-08
- Switching cycle:100,000x



Specifications:

Power	18W	12W	6W	5W	4W
Size (Length)	1500mm	1000mm	500mm	350mm	250mm
Net Weight	1.7kg	1.25kg	0.75kg	0.4kg	0.3kg
Qty of LEDs	72PCS	48PCS	24PCS	18PCS	12PCS
Pixels(Sections) per Luminaire	12Pixels (Max)	8Pixels (Max)	4Pixels (Max)	3Pixels (Max)	2Pixels (Max)
DMX512 Channel per Luminaire	1 Channel (Mono Color) 3 Channels (RGB) 4 Channels (RGBW) 12x3 Channels (RGB) 12x4 Channels (RGBW)	1 Channel (Mono Color) 3 Channels (RGB) 4 Channels (RGBW) 8x3 Channels (RGB) 8x4 Channels (RGBW)	1 Channel (Mono Color) 3 Channels (RGB) 4 Channels (RGBW) 4x3 Channels (RGB) 4x4 Channels (RGBW)	1 Channel (Mono Color) 3 Channels (RGB) 4 Channels (RGBW) 3x3 Channels (RGB) 3x4 Channels (RGBW)	1 Channel (Mono Color) 3 Channels (RGB) 4 Channels (RGBW) 2x3 Channels (RGB) 2x4 Channels (RGBW)
Input Voltage	DC 24V or AC 90~264V 47~63Hz (External Driver)				
Control Protocol(optional)	DMX 512 / 1~10V / Triac Dimming Leading Edge				
Beam Angle	Symmetric Lens: 25° / 30° / 45° / 60° No Lens: 105°(Frosted or Clear Cover)				
Color Rendering Index	85@2700K / 85@3000K / 85@3500K / 85@4000K / 80@5000K / 75@6500K				
Luminaire Efficacy	*75lm/w(2700K), *80lm/w(3000K), *90lm/w(4000K), *95lm/w(5000K),	*100lm/w(6500K), *20lm/w(RGB), *10lm/w(Blue 450~460nm), *50lm/w(Red 620~630nm),	*65lm/w(Green 520~530nm), *30lm/w(Yellow 590~595nm)		
LED Source Efficacy	*90lm/w(2700K), *95lm/w(3000K), *110lm/w(4000K), *115lm/w(5000K),	*120lm/w (6500K), *35lm/w(RGB), *20lm/w(Blue 450~460nm), *70lm/w(Red 620~630nm),	*80lm/w(Green 520~530nm), *50lm/w(Yellow 590~595nm)		
LED Source	Samsung / Taiwan Epistar				
Life Time	50,000 Hours at Ta=40°C				
Operating Temperature	-20°C~70°C				
Operating Humidity	10%~90%RH				
Finishing Materials	Aluminum and Tempered Glass (Clear or Frosted)				
Body Color	Sliver / Matte Black / Matte Grey / Tailor-made				
RAL Color Code	9006 / 9017 / 7042 /				

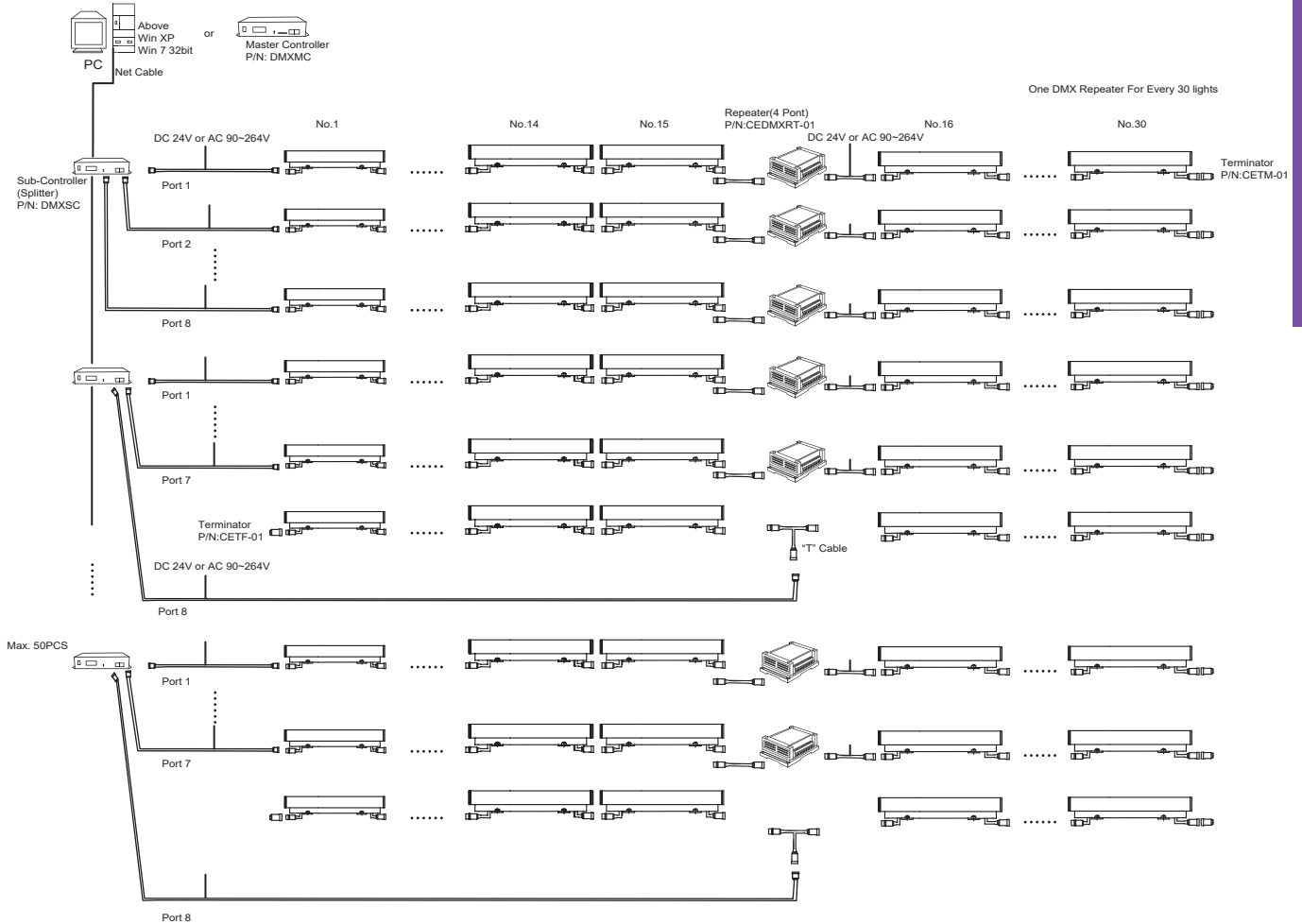
Ordering Part No.:



Brand Name	Lighting Type	Power	Color Temperature	Series Name	Dimension	Cover	Beam Angle	Function	DMX Channel
CE: CELEX	DMXLL: DMX Linear Light	18W	O: 2700K	V: VIKA Series	X: 1500mm	L: Lens	S: 25° M: 30° L: 45° X: 60°	D: DMX 512	0
		12W	W: 3000K		A: 1000mm			+DC 24V	1
		06W	N: 4000K		B: 500mm			E: DMX512	3
		05W	D: 5000K		C: 350mm			+AC 90~264V	4
		04W	C: 6500K		D: 250mm			L: DC 24V	2X3
		R: Red(620~630nm)	C: Clear Glass		N: AC 90~264V			2X4	
		G: Green(520~530nm)	F: Frosted Glass		T: Triac Dimming			3X3	
		B: Blue(450~460nm)	W: 105°		Leading Edge			3X4	
		Y: Yellow(590~595nm)			V: 1~10V Dimming			4X3	
		F: Full Color(RGB)			+DC 24V			4X4	
		FO: RGBO(2700K)						8X3	
		FW: RGBW(3000K)						8X4	
FN: RGBN(4000K)			12X3						
FD: RGBD(5000K)			12X4						
FC: RGBC(6500K)									

LED DMX Linear Light VIKA Series

DMX Controllers:



Accessories:



DMX Repeater
P/N: CEDMXRT-01



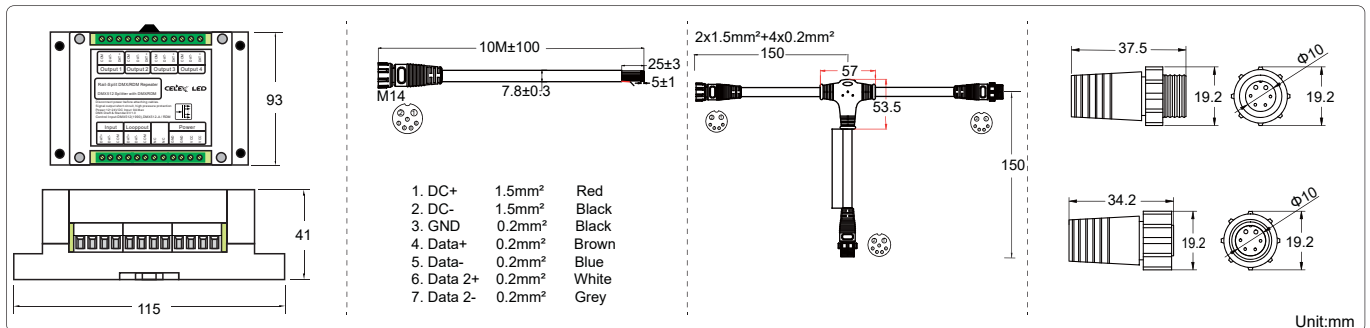
M14 7core signal shielding
extension wire-10m
P/N: CECEM14-7C-10M



M14 7 Core "T" Cable-150mm
P/N: CECEM14-7C-T



M14 Resistor 120 ohm Terminator
P/N: CETM-01 P/N: CETF-01



Master Controller
P/N: DMXMC



Sub-Controller (Splitter)
P/N: DMXSC

