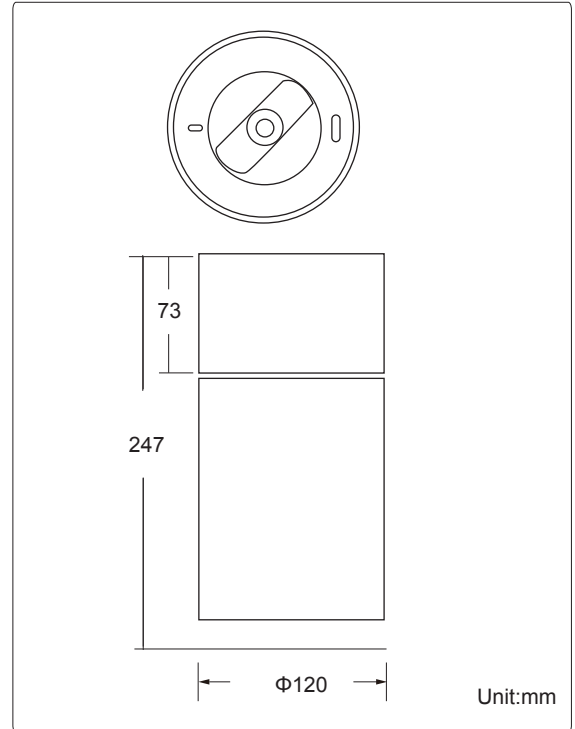
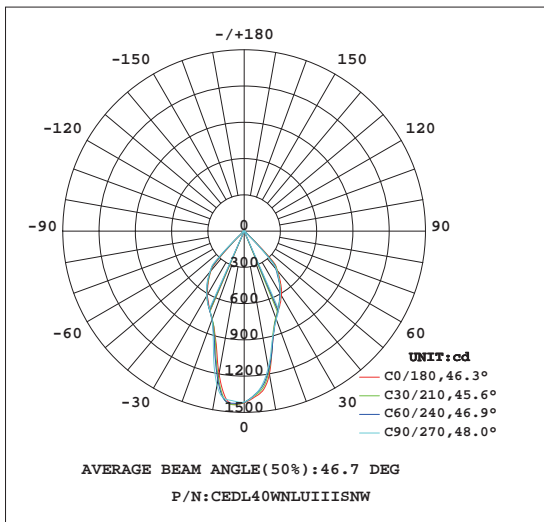




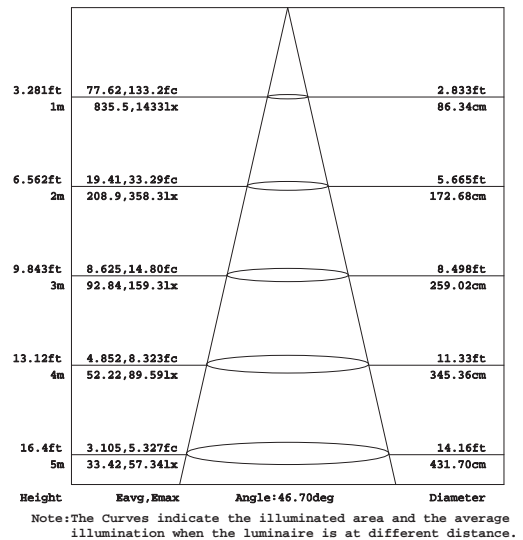
Product Dimensions:



Luminous Intensity Distribution Diagram:



Lux Distribution:



Manufacturing Quality Standard:

- ISO 9001:2008
- EN/IEC 60598-1
- EN/IEC 60598-2-1
- EN/IEC 60598-2-2
- EN/IEC 60529
- EN/IEC 62471-2
- IEC 62612
- EN/IEC 60968
- IEC 62560
- EN/IEC 60061-1
- EN 13032-1
- EN 13032-2
- EN/IEC 62471

LED Luminaire Standard:

Electronic Driver Standard:

- EN/IEC 61347-1
- EN/IEC 61347-2-13
- EN/IEC 62384
- EN/IEC 61000-3-2
- EN/IEC 61000-3-3
- EN/IEC 61547
- EN 55015(CISPR 15)

LED Module Standard:

- IEC 62031
- IEC 60838-2-2

LED Light Photometric Standard:

- CIE; TM14; LM-75; IES; LDT; CEN; CIB

RoHS Standard:

- EPA3050B
- EN 1122
- IEC 62321
- EPA3052
- EPA3060A
- IESNA LM-79-08
- IESNA LM-80-08
- Switching cycle:100,000x
- EPA7196A
- EPA3540C
- EPA8270C

LED Luminaire Performance:

Emergency Standard:

- With CELEX-LED Emergency System
- HKFSD PPA 104A(4th Revision)
- EN 60598-2-22
- BS 6387
- BS EN 60598-2-22
- EN 61347-2-7
- BS EN 60702-2
- BS 5266-1
- BS 6207-3

Features:

- Surface mounted type
- Die casting aluminum
- Static spray coating surface
- Unique fin design
- Uniform illumination with special aluminum reflector
- High power efficiency (>0.85) and power factor(>0.9)
- Remote-type LED driver
- Optional 1~10V driver for dimming control
- Optional dali driver for dimming control
- Optional DMX driver for dimming control
- Optional battery kit for emergency lighting
- Optional DMX driver for DMX512 dimming control

Applications:

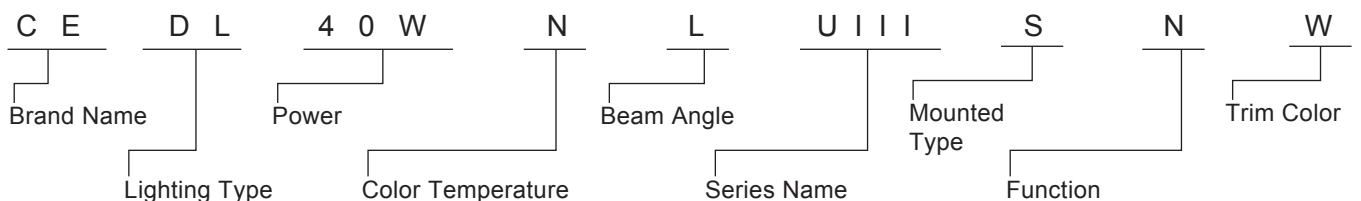
- Home use
- Hotel Lounges
- Restaurants
- Halls and clubs
- Ballrooms



Specifications:

Power	40W / 50W
Beam Angle	15° / 20° / 40° / 60°
Input Voltage	AC 100~240V 50/60Hz
Power Factor	>0.9
Total Harmonic Distortion	<20%
Color Rendering Index	80
Luminaire Efficacy	*65lm/w (2700K),*70lm/w (3000K),*75lm/w 4000K),*80lm/w(5000K),*90lm/w(6500K)
LED Source Efficacy	*100lm/w(2700K),*105lm/w(3000K), *110lm/w(4000K),*115lm/w (5000K),*120lm/w (6500K)
Operating Temperature	-20~50°C
LED Source	Bridgelux
Life Time	50,000 Hours
Operating Humidity	0~98%RH
Housing Materials	Aluminum and Tempered Glass
Body Color	Matte White / Matte Black
RAL Color Code	RAL9003 / RAL9005 / RAL 7004
Net Weight	1.1kg

Ordering Part No.:



Brand Name	Lighting Type	Power	Color Temperature	Beam Angle	Series Name	Mounted Type	Function	Trim Color
CE: CELEX	DL: Down Light	40W 50W	O: 2700K W: 3000K N: 4000K D: 5000K C: 6500K	S: 15° M: 20° L: 40° W: 60°	U III: ULLY III Series	S: Surface Mouted	D:DMX 512 Dimming E:Emergency(3hrs) N:Switch In T:Triac Dimming Leading Edge V:1~10V Dimming I: Dali Dimming	W: Matte White B: Matte Black