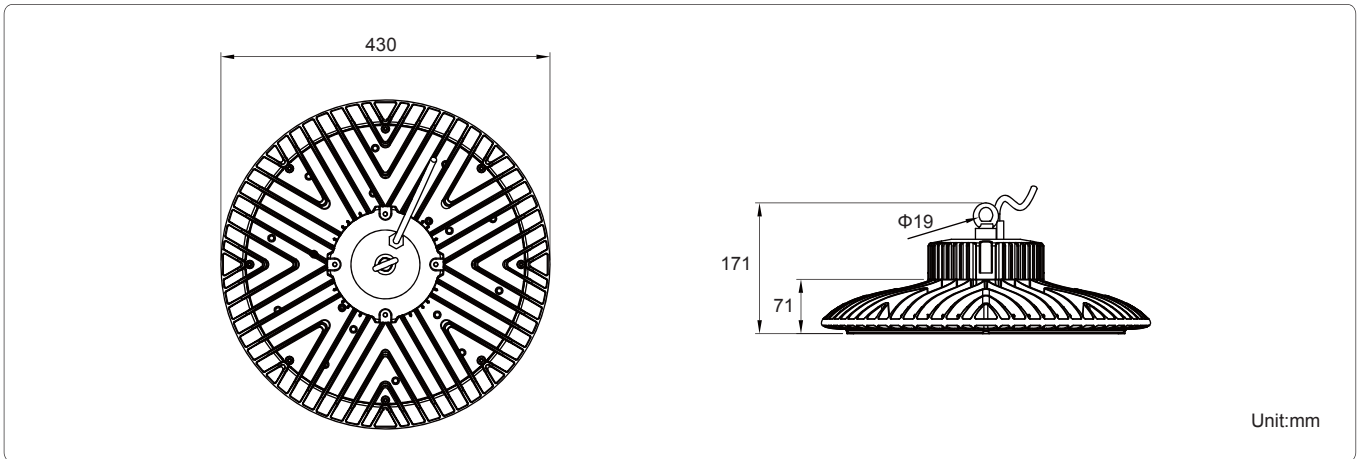
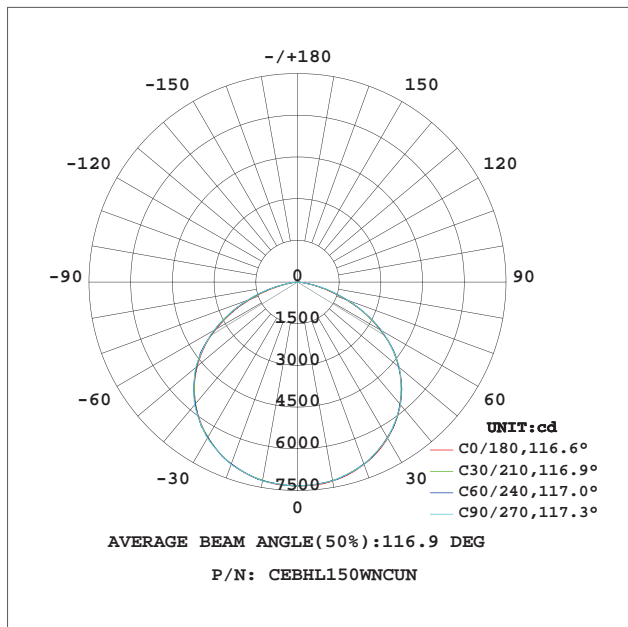




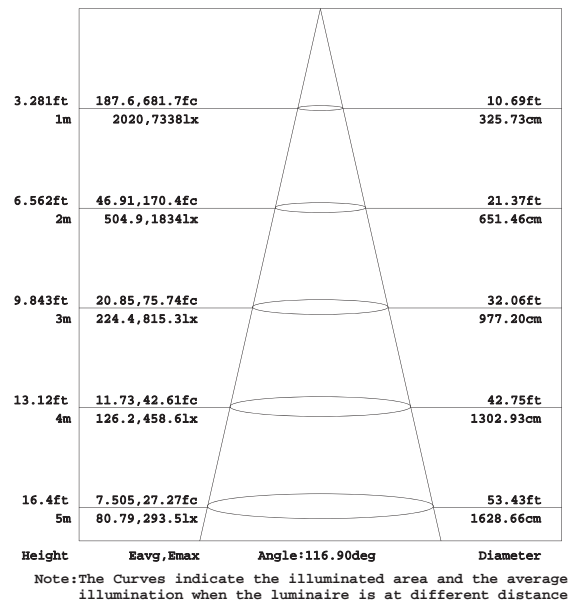
Product Dimensions:



Luminous Intensity Distribution Diagram:



Lux Distribution:



Manufacturing Quality Standard:

- ISO 9001:2008
- LED Luminaire Standard:
- EN/IEC 60598-1
- EN/IEC 60598-2-1
- EN/IEC 60598-2-2
- EN/IEC 60529
- EN/IEC 62471-2
- IEC 62612
- EN/IEC 60968
- IEC 62560
- EN/IEC 60061-1
- EN 13032-1
- EN 13032-2
- EN/IEC 62471
- EN/IEC 60825
- EN 60061-1

Electronic Driver Standard:

- EN/IEC 61347-1
- EN/IEC 61347-2-13
- EN/IEC 62384
- EN/IEC 61000-3-2
- EN/IEC 61000-3-3
- EN/IEC 61547
- EN 55015(CISPR 15)
- LED Module Standard:
- IEC 62031
- IEC 60838-2-2
- LED Light Photometric Standard:
- CIE; TM14; LM-75; IES; LDT; CEN; CIB

RoHS Standard:

- EPA3050B
- EN 1122B
- IEC 62321
- EPA3052
- EPA3060A
- EPA7196A
- EPA3540C
- EPA8270D
- LED Luminaire Performance:
- LM-80-08
- Switching cycle:100,000x

Features:

- Offer 140 lm/w lumen performance
- High performance thermal management design ensuring low LED junction temperature
- Easy installation and maintenance, dust prevention, longer lifetime with high lumen maintenance
- High pressure die-casting aluminum housing
- High power factor and power efficiency design

Applications:

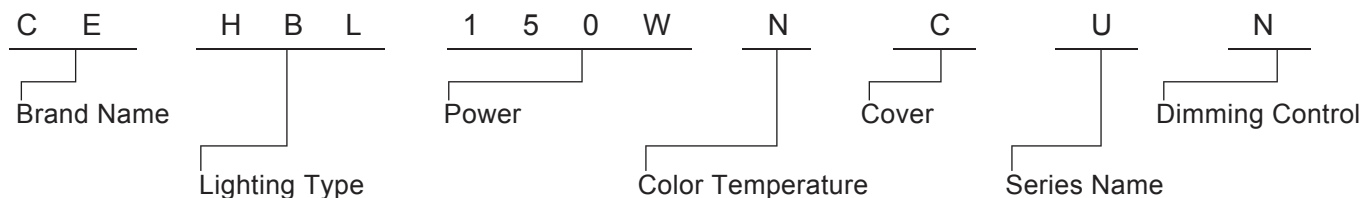
- Warehouses
- Production and logistic workshops
- Retail stores
- Theme restaurants
- Amusement parks
- Indoor stadiums and public places
- Car Park



Specifications:

| | |
|-----------------------|---|
| Power | 150W |
| Input Voltage | AC 100~240V 50/60Hz |
| Power Factor | >0.98 |
| Beam Angle | 120° |
| Color Rendering Index | >70 |
| Luminaire Efficacy | 110lm/w (3000K), 120lm/w (4000K), 140lm/w (6500K) |
| LED Source Efficacy | 130lm/w (3000K), 140lm/w (4000K), 150lm/w (6500K) |
| Operating Temperature | -40°C~50°C |
| LED Source | Philips |
| Life Time | 50,000 Hours |
| Operating Humidity | 0~99%RH |
| Finishing Materials | Aluminum and Polycarbonate |
| Body Color | Matte Black |
| RAL Color Code | RAL 9004 |
| Net Weight | 5.6kg |

Ordering Part No.:



| Brand Name | Lighting Type | Power | Color Temperature | Cover | Series Name | Dimming Control |
|--------------|------------------------|-------|---------------------------------|----------------------|------------------|--|
| CE: CELEX | HBL: High Bay Light | 150W | W:3000K N: 4000K C: 6500K | C:Clear F:Frosted | U: UFO Series | N:Switch In (ON / OFF) V:0~10V Dimming P:PWM |