



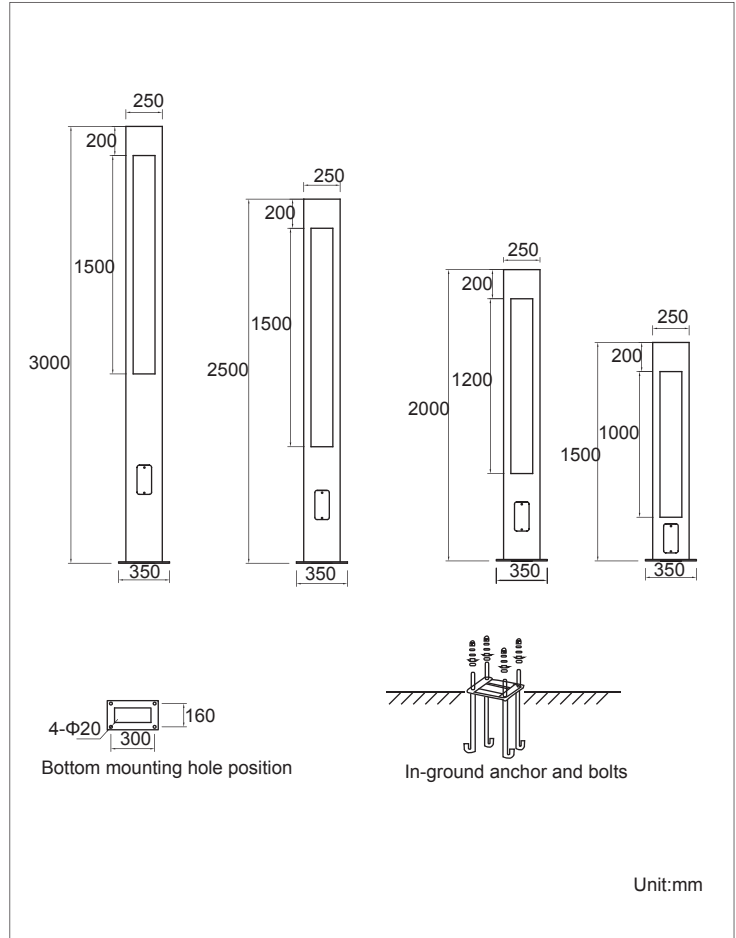
LED BOLLARD LIGHT

The Application of Art and Harmony:

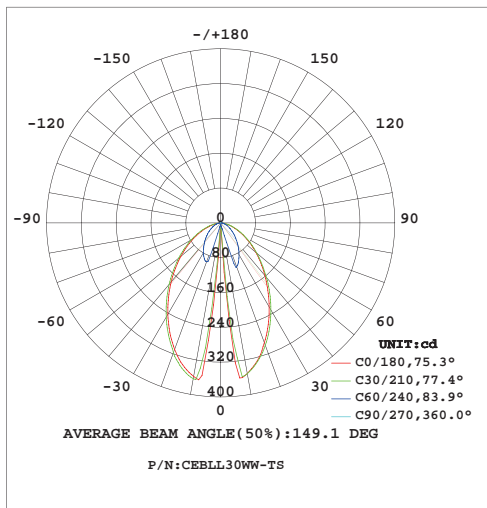
- Lawn,
- Garden,
- Square,
- Residential area,
- Park



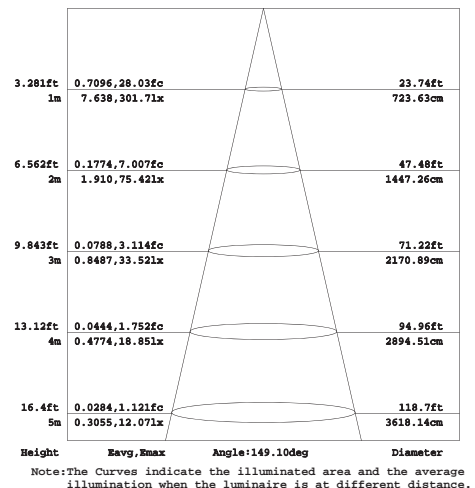
Product Dimensions:



Luminous Intensity Distribution Diagram:



Lux Distribution:



Manufacturing Quality Standard:

- ISO 9001:2008

LED Luminaire Standard:

- EN/IEC 60598-1
- EN/IEC 60598-2-1
- EN/IEC 60598-2-2
- EN/IEC 60529
- EN/IEC 62471-2
- IEC 62612
- EN/IEC 60968
- IEC 62560
- EN/IEC 60061-1
- EN 13032-1
- EN 13032-2
- EN/IEC 62471
- EN/IEC 60825
- EN 60061-1

Electronic Driver Standard:

- EN/IEC 61347-1
- EN/IEC 61347-2-13
- EN/IEC 62384
- EN/IEC 61000-3-2
- EN/IEC 61000-3-3
- EN/IEC 61547
- EN 55015(CISPR 15)

LED Module Standard:

- IEC 62031
- IEC 60838-2-2

LED Light Photometric Standard:

- CIE; TM14; LM-75; IES; LDT; CEN; CIB

RoHS Standard:

- EPA3050B
- EN 1122B
- IEC 62321
- EPA3052
- EPA3060A
- EPA7196A
- EPA3540C
- EPA8270D

LED Luminaire Performance:

- LM-80-08
- Switching cycle:100,000x



Features:

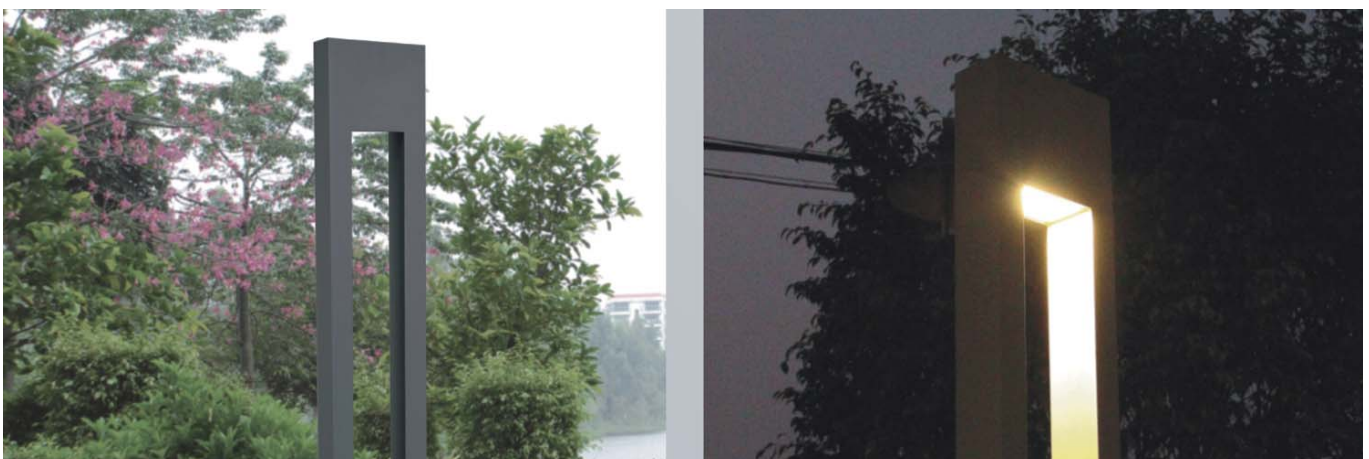
- Body made of both alloy aluminum and high-pressure die-casting materials, with anti-aging surface and antistatic spray treatment
- Protection grade IP65, superior than traditional lawn lights
- Uses high-power CREE LEDs
- Build-in constant current LED Driver
- 304# stainless steel fastening parts
- The diffuser is made of 4mm thickness tempered glass

**Specifications:**

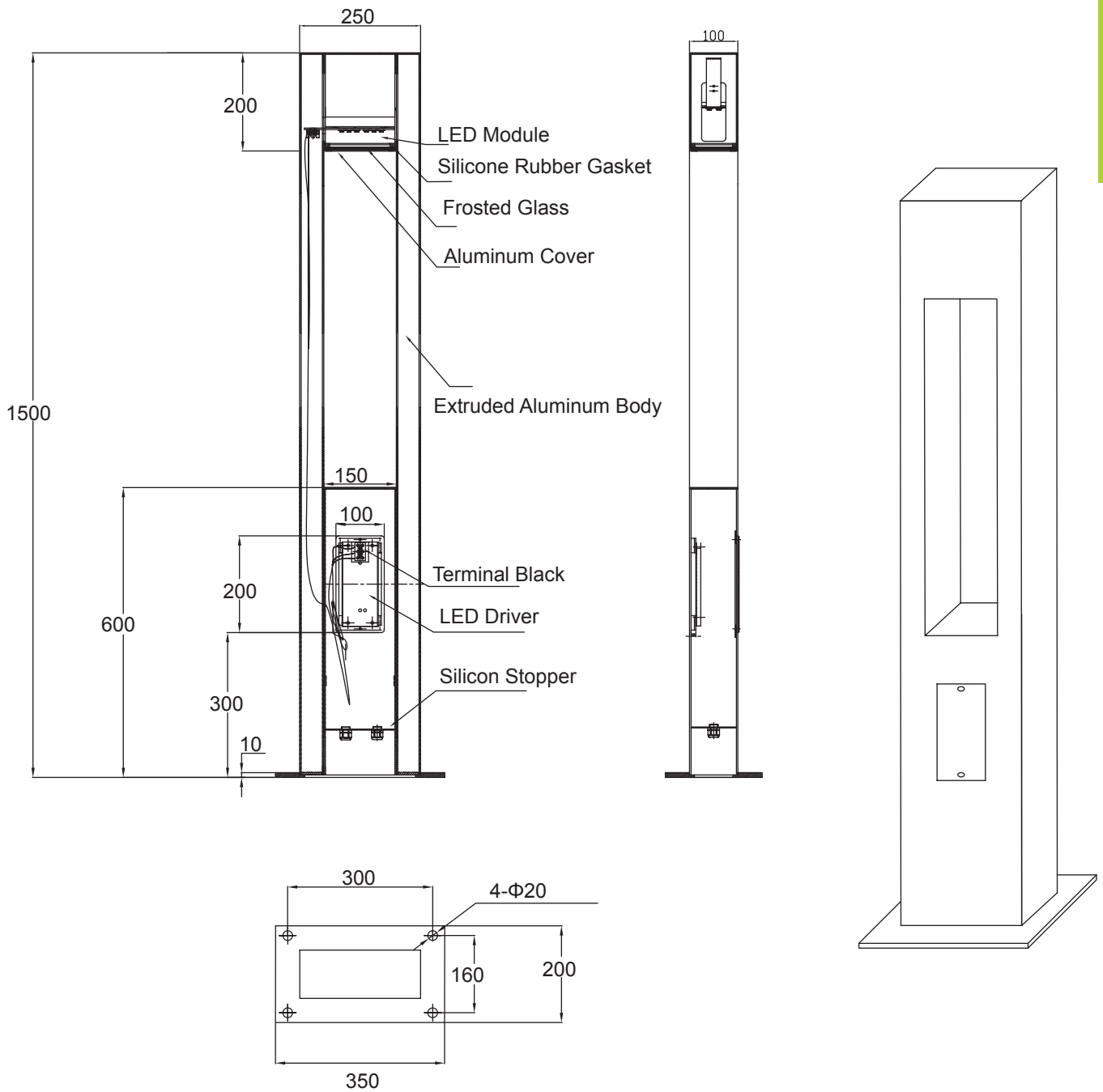
Part No	Height (mm)	CCT (K)	Beam Angle	Color Rendering Index	Luminaire Luminous Flux (lm)	LED Source (lm)	Power (W)
CEBLL30WW-TS	1500	3000	150°	80	350	2000	30
CEBLL30WN-TS	1500	4000	150°	80	370	2200	30
CEBLL30WD-TS	1500	5000	150°	80	390	2400	30
CEBLL30WC-TS	1500	6500	150°	80	400	2500	30
CEBLL30WW-TM	2000	3000	150°	80	350	2000	30
CEBLL30WN-TM	2000	4000	150°	80	370	2200	30
CEBLL30WD-TM	2000	5000	150°	80	390	2400	30
CEBLL30WC-TM	2000	6500	150°	80	400	2500	30
CEBLL30WW-TL	2500	3000	150°	80	350	2000	30
CEBLL30WN-TL	2500	4000	150°	80	370	2200	30
CEBLL30WD-TL	2500	5000	150°	80	390	2400	30
CEBLL30WC-TL	2500	6500	150°	80	400	2500	30
CEBLL30WW-TW	3000	3000	150°	80	350	2000	30
CEBLL30WN-TW	3000	4000	150°	80	370	2200	30
CEBLL30WD-TW	3000	5000	150°	80	390	2400	30
CEBLL30WC-TW	3000	6500	150°	80	400	2500	30

General and Electrical Characteristics:

- Input Voltage: AC 220~240V 50/60Hz
- Total Harmonic Distortion: <20%
- Operating Temperature: -20~50°C
- Operating Humidity: 10%~95%
- Life Time: 50,000 Hours at Ta=40°C
- LED Source: CREE
- Body Color: Black
- Finishing Materials: Aluminum and Tempered Glass



Installation Guide:



Unit:mm