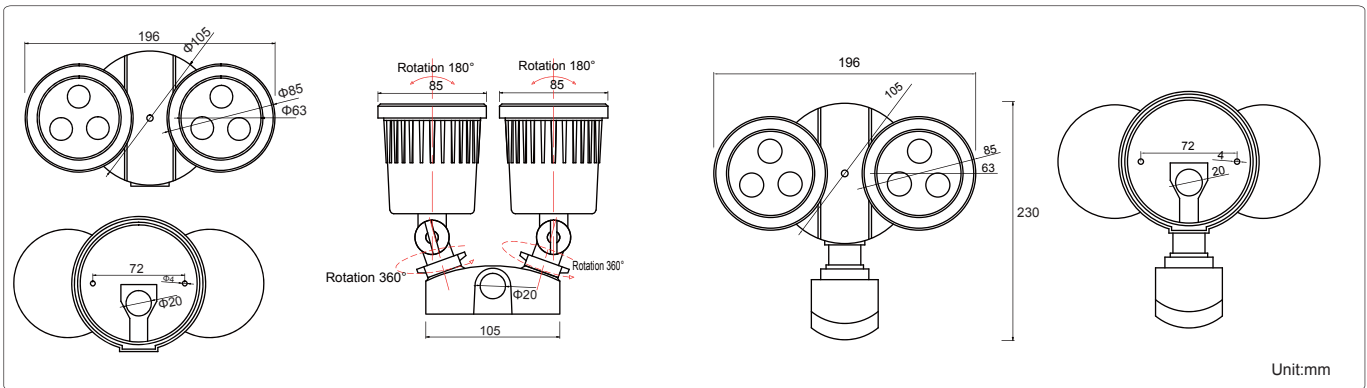
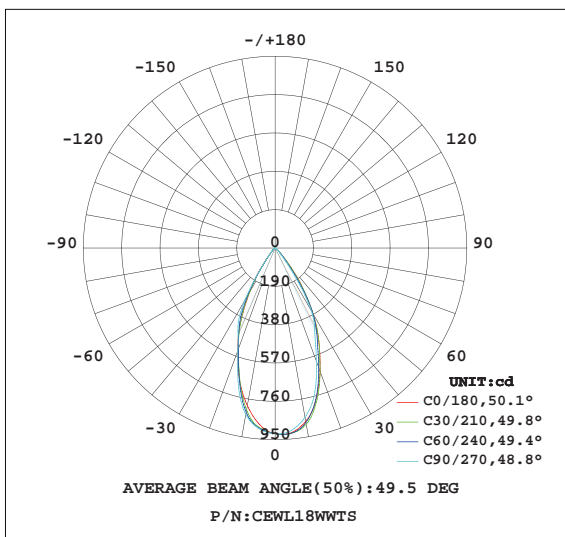




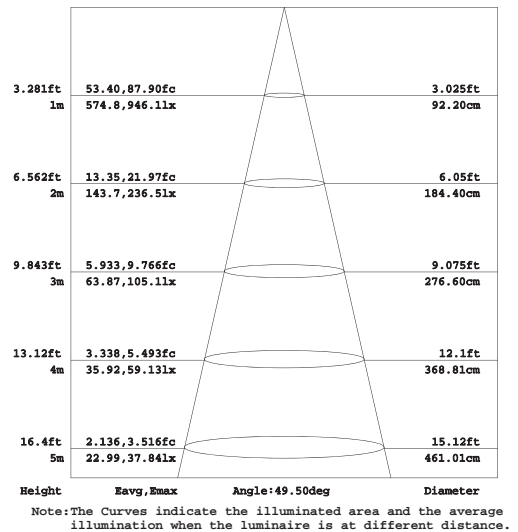
Product Dimensions:



Luminous Intensity Distribution Diagram:



Lux Distribution:



Manufacturing Quality Standard:

- ISO 9001:2008

LED Luminaire Standard:

- EN/IEC 60598-1
- EN/IEC 60598-2-1
- EN/IEC 60598-2-2
- EN/IEC 60529
- EN/IEC 62471-2
- IEC 62612
- EN/IEC 60968
- IEC 62560
- EN/IEC 60061-1
- EN 13032-1
- EN 13032-2
- EN/IEC 62471
- EN/IEC 60825
- EN 60061-1

Electronic Driver Standard:

- EN/IEC 61347-1
- EN/IEC 61347-2-13
- EN/IEC 62384
- EN/IEC 61000-3-2
- EN/IEC 61000-3-3
- EN/IEC 61547
- EN 55015(CISPR 15)

LED Module Standard:

- IEC 62031
- IEC 60838-2-2

LED Light Photometric Standard:

- CIE; TM14; LM-75; IES; LDT; CEN; CIB

RoHS Standard:

- EPA3050B
- EN 1122B
- IEC 62321
- EPA3052
- EPA3060A
- EPA7196A
- EPA3540C
- EPA8270C

LED Luminaire Performance:

- IESNA LM-79-08
- IESNA LM-80-08
- Switching cycle:100,000x

Features:

- Surface mounted type.
- Extruded aluminum and die-cast aluminum housing with high corrosion resistance.
- DuPont outdoor electrostatic powder painting.
- Die-cast aluminum frame.
- 4mm thickness tempered glass.
- High purity aluminum heat conductive piece.
- Silicon seal gasket.
- Optical level reflector lens
- Optional microwave motion sensor

Applications:

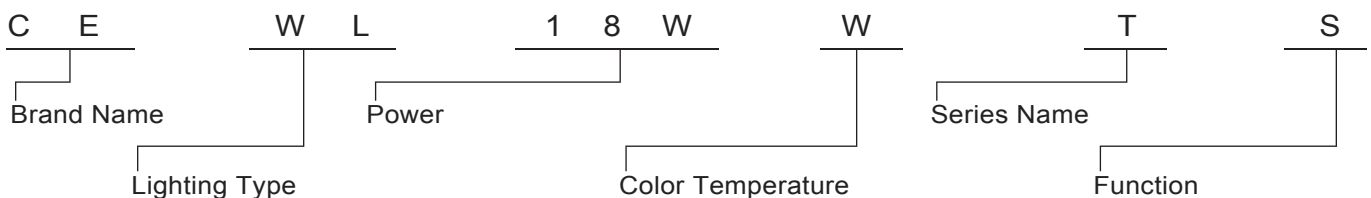
- Outdoor wall spot light
- Steam room
- Bathroom



Specifications:

Power	18W
Input Voltage	AC 100~240V 50/60Hz
Beam Angle	50°
Color Rendering Index	80
Housing Materials	Aluminum and Tempered Glass
Luminaire Efficacy	* 40lm/w (3000K), * 50lm/w (4000K), * 55lm/w (5000K), * 60lm/w (6500K)
LED Source Efficacy	* 100lm/w (3000K), * 110lm/w (4000K), * 115m/w (5000K), * 120lm/w (6500K)
LED Source	CREE
Life Time	50,000 Hours at Ta=40°C
Operating Temperature	-20°C~50°C
Operating Humidity	0%~99%RH
Body Color	Matte Grey
RAL Color Code	RAL9007
Net Weight	1.1kg(Normal) / 1.3kg(Sensor)

Ordering Part No.:



Brand Name	Lighting Type	Power	Color Temperature	Series Name	Function
CE: CELEX	WL: Wall Light	18W	W: 3000K N: 4000K D: 5000K C: 6500K	T: TUMBLER Series	N:Normal S:microwave motion sensor

Installation Guide:

