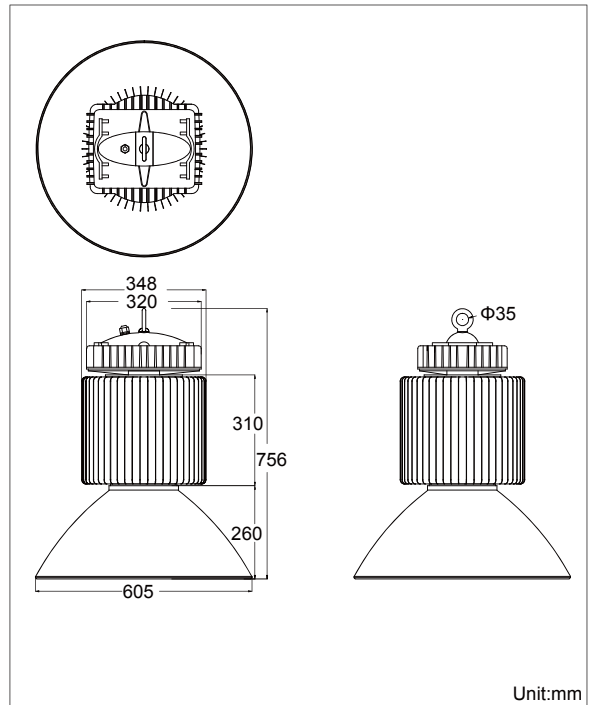




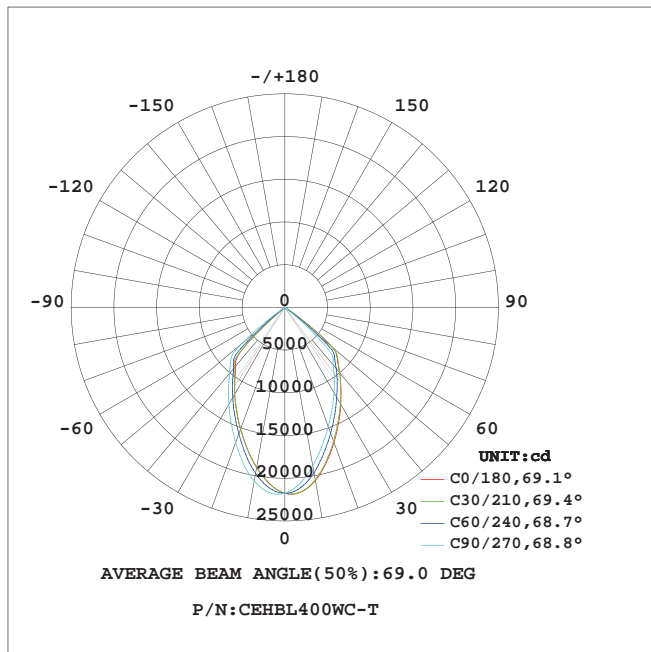
Product Dimensions:



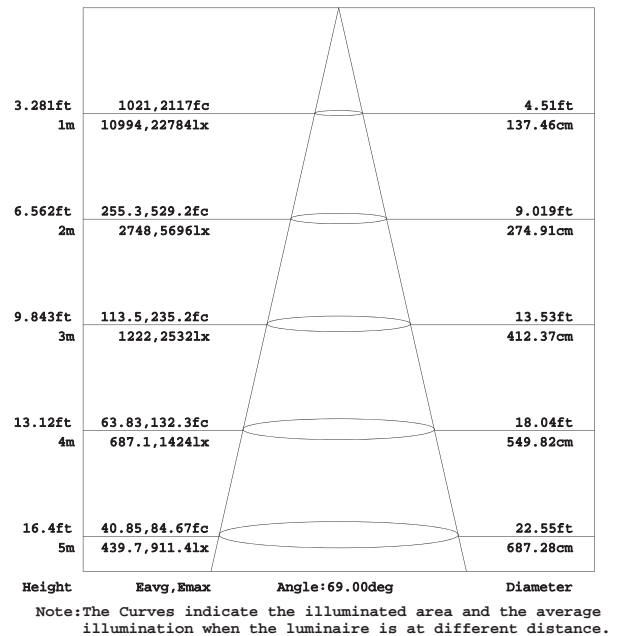
Unit:mm



Luminous Intensity Distribution Diagram:



Lux Distribution:



Manufacturing Quality Standard:

- ISO 9001:2008

LED Luminaire Standard:

- EN/IEC 60598-1
- EN/IEC 60598-2-1
- EN/IEC 60598-2-2
- EN/IEC 60529
- EN/IEC 62471-2
- IEC 62612
- EN/IEC 60968
- IEC 62560
- EN/IEC 60061-1
- EN 13032-1
- EN 13032-2
- EN/IEC 62471

Electronic Driver Standard:

- EN/IEC 61347-1
- EN/IEC 61347-2-13
- EN/IEC 62384
- EN/IEC 61000-3-2
- EN/IEC 61000-3-3
- EN/IEC 61547
- EN 55015(CISPR 15)

LED Module Standard:

- IEC 62031
- IEC 60838-2-2

LED Light Photometric Standard:

- CIE; TM14; LM-75; IES; LDT; CEN; CIB

RoHS Standard:

- EPA3050B
- EN 1122B
- IEC 62321
- EPA3052
- EPA3060A
- EPA7196A
- EPA3540C
- EPA8270D

LED Luminaire Performance:

- LM-80-08
- Switching cycle:100,000x

Features:

- Can replace 1000W high pressure sodium or 700W HID lamp
- Extremely light weight for safety use and installation
- Unique fin aluminium heatsink design for thermal management
- High power factor(0.95) and power efficiency(0.90) design
- Built-in constant current LED power supply with IP65
- Universal AC input / full range
- Power supply protections: short circuit/ over current / over voltage and over temperature

Applications:

- Warehouse
- Production and logistic workshops
- Car park



Specifications:

Part No	CCT (k)	Average Beam Angle	Color Rendering Index	Luminous Intensity (cd)	Luminaire Luminous Flux (lm)	Luminaire Efficacy (lm/w)	LED Source (lm)	Power (w)
CEHBL400WW-T	3000	69°	80	25000	28000	70	25000	400
CEHBL400WN-T	4000	69°	70	27000	32000	80	28000	400
CEHBL400WC-T	6500	69°	70	28000	36000	90	34000	400

General And Electrical Characteristics:

- Input Voltage: AC 90~264V 50/60Hz
- Power Factor: 0.95
- Total Harmonic Distortion: 15%
- Operating Temperature: -20~50°C
- Operating Humidity: 10%~90%RH
- Life Time: 50,000 Hours
- Body Color: Gray
- Finishing Materials: Aluminum and Polycarbonate
- LED Source: Philips Luxeon
- Net Weight: 16.4kg

