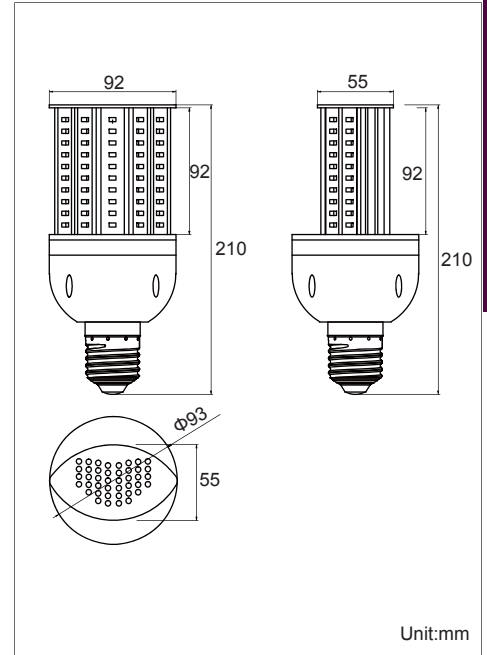


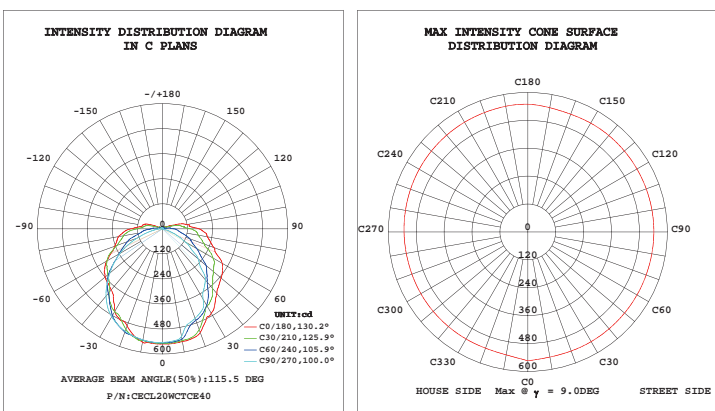
## Product Dimensions:



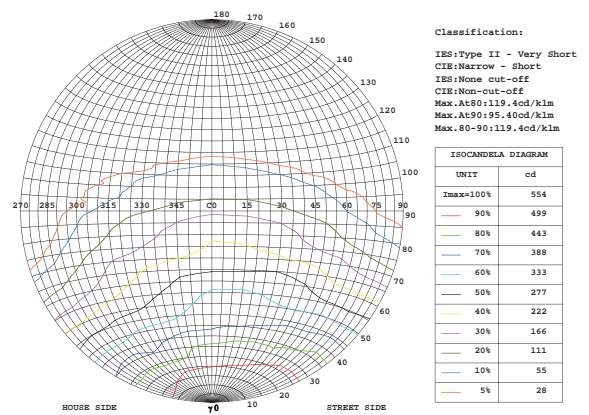
## Advantages

<p><b>1</b> LM80 Passed SAMSUNG SMD 5630</p>	<p><b>2</b> 180 degree beam angle</p>	<p><b>3</b> flame retardant material</p>	<p><b>4</b> 350 degree twistable</p>
--	---------------------------------------	--	--------------------------------------

## Luminous Intensity Distribution Diagram:



## Isocandela Diagram:



### Manufacturing Quality Standard:

- ISO 9001:2008
- EN/IEC 60598-1
- EN/IEC 60598-2-1
- EN/IEC 60598-2-2
- EN/IEC 60529
- EN/IEC 62471-2
- IEC 62612
- EN/IEC 60968
- IEC 62560
- EN/IEC 60061-1
- EN 13032-1
- EN 13032-2
- EN/IEC 62471
- EN/IEC 60825
- EN 60061-1



### Electronic Driver Standard:

- EN/IEC 61347-1
- EN/IEC 61347-2-13
- EN/IEC 62384
- EN/IEC 61000-3-2
- EN/IEC 61000-3-3
- EN/IEC 61547
- EN 55015(CISPR 15)

### LED Module Standard:

- IEC 62031
- IEC 60838-2-2

### RoHS Standard:

- EPA3050B
- EN 1122B
- IEC 62321
- EPA3052
- EPA3060A
- EPA7196A
- EPA3540C
- EPA8270D

### LED Luminaire Performance:

- Switching cycle:100,000x

### LED Light Photometric Standard:

- CIE; TM14; LM-75; IES; LDT; CEN; CIB

### Features:

- Samsung led, high lumen, above 110lm/w
- Replace HPS, CFL, halide bulb

### Applications:

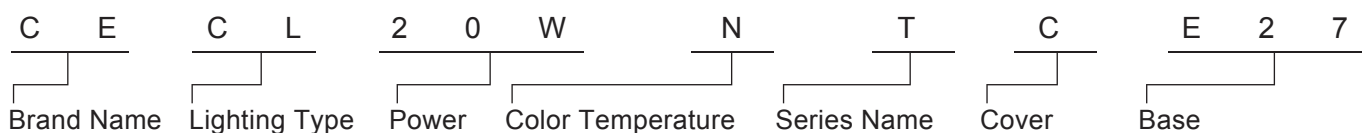
- Street
- Garden
- Warehouse
- Park



### Specifications:

Power	20W	30W	40W
LED Quantity	50PCS	75PCS	100PCS
Net Weight	680g	780g	875g
Input Voltage	AC 85~265V 50/60Hz		
Power Factor	≥0.9		
Beam Angle	265°		
Color Rendering Index	80		
Luminaire Efficacy	* 100lm/w (3000K), * 105lm/w (4000K), * 110lm/w (6500K)		
LED Source	Samsung		
Life Time	50,000 Hours at Ta=40°C		
Operating Temperature	-20~50°C		
Operating Humidity	10%~90%RH		
Finishing Materials	Milky / Clear Polycarbonate		
Body Color	Matt White		
RAL Color Code	6016		

### Ordering Part No.:



Brand Name	Lighting Type	Power	Color Temperature	Series Name	Cover	Base
CE: CELEX	CL: Corn Light	20W 30W 40W	W: 3000K N: 4000K C: 6500K	T: TORCH Series	M: Milky Polycarbonate C: Clear Polycarbonate	E27 E40

### Application

