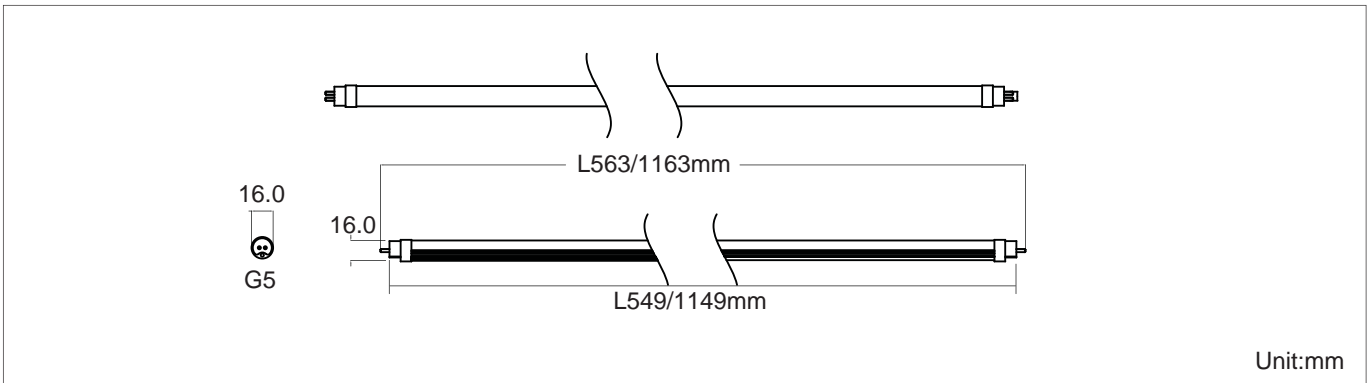
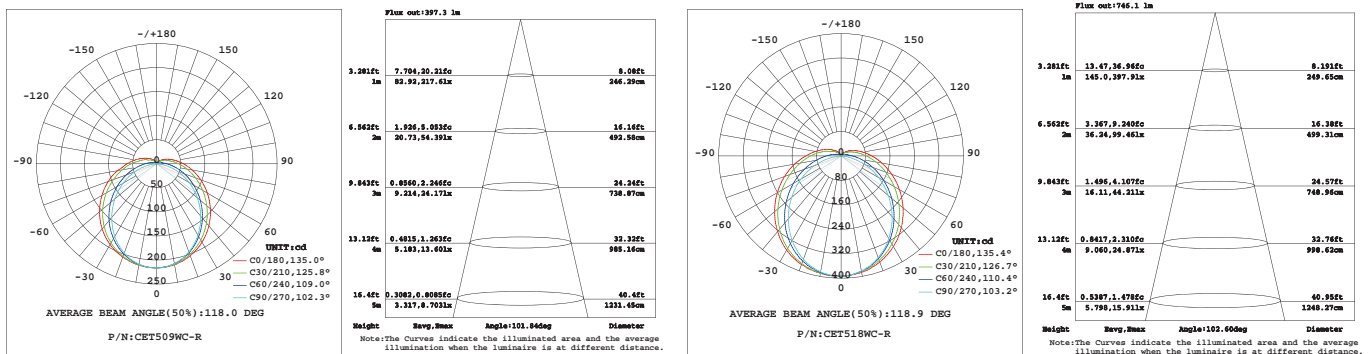


Product Dimensions:



Luminous Intensity Distribution Diagram & Lux Distribution:



Manufacturing Quality Standard:

- ISO 9001:2008

LED Luminaire Standard:

- EN/IEC 60598-1
- EN/IEC 60598-2-1
- EN/IEC 60598-2-2
- EN/IEC 60529
- EN/IEC 62471-2
- IEC 62612
- EN/IEC 60968
- IEC 62560
- EN/IEC 60061-1
- EN 13032-1
- EN 13032-2
- EN/IEC 62471
- EN/IEC 60825
- EN 60061-1

Electronic Driver Standard:

- EN/IEC 61347-1
- EN/IEC 61347-2-13
- EN/IEC 62384
- EN/IEC 61000-3-2
- EN/IEC 61000-3-3
- EN/IEC 61547
- EN 55015(CISPR 15)

LED Module Standard:

- IEC 62031
- IEC 60838-2-2

LED Light Photometric Standard:

- CIE; TM14; LM-75; IES; LDT; CEN; CIB

RoHS Standard:

- EPA3050B
- EN 1122B
- IEC 62321
- EPA3052
- EPA3060A
- EPA7196A
- EPA3540C
- EPA8270D

LED Luminaire Performance:

- LM-80-08
- Switching cycle:100,000x



**Features:**

- 9W can replace fluorescent T5 14W
- 18W can replace fluorescent T5 28W
- High pressure die-casting aluminum housing with polycarbonate cover
- High power factor and power efficiency design
- Optional 1~10V dimmable power supply
- Optional DMX512 dimmable power supply

**Applications:**

- Office
- School
- Warehouse
- Meeting Room
- Shops and boutiques



**Specifications:**

Part No	Size (mm)	CCT (K)	Beam Angle	Color Rendering Index	Luminaire Luminous Flux (lm)	Luminaire Efficacy (lm/w)	Power (w) <small>(With LED Driver)</small>
CET509WW-R	549	3000	120°	80	760	85	9
CET509WN-R	549	4000	120°	80	780	87	9
CET509WC-R	549	6500	120°	80	830	92	9
CET518WW-R	1149	3000	120°	80	1530	85	18
CET518WN-R	1149	4000	120°	80	1580	87	18
CET518WC-R	1149	6500	120°	80	1650	92	18

**Products Characteristic:**

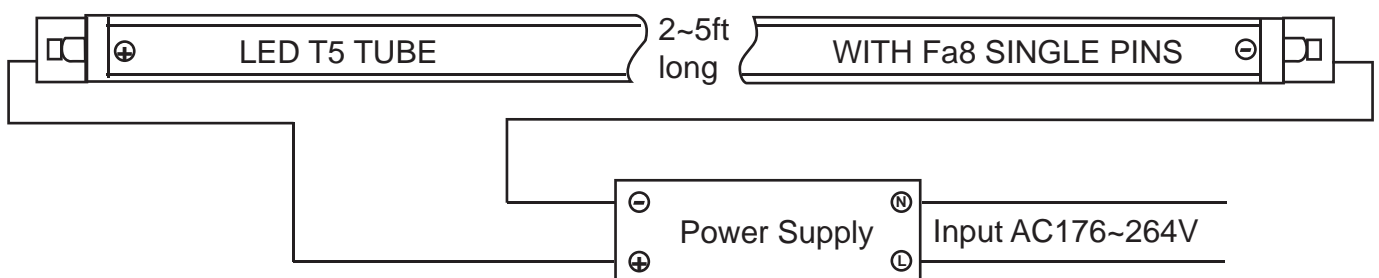
- Input Voltage:AC176~264V 50/60Hz
- Power Factor:0.95
- Operation Temperature:-20~50°C
- LED Sources:Taiwan SMD LED / Samsung
- Life Time:50,000 Hours (Ta=40°C)
- Body Color:Silver and Milky White
- Finishing Materials:Aluminum and polycarbonate
- Net Weight:100g / 160g

**Power Supply Specifications:**

Part No.	Description	Input Voltage	Suitable LED T5	Dimmable Function
CEPSCC10W-220MA	LED Constant Current Driver Output:220mA DC 36V	AC 176~264V 50/60Hz	549mm	NO
CEPSCC18W-420MA	LED Constant Current Driver Output:420mA DC 36V	AC 176~264V 50/60Hz	1149mm	NO
CEPSCC30WD-MC	1~10V Dimming & Switch-dim Multi-current dimmable LED driver	AC 200~240V 50/60Hz	All of T5	Yes 0~100%

**Connection Guide:**

**SIMPLIFIED WIRING**





1-10v dimming  
& switch-Dim.

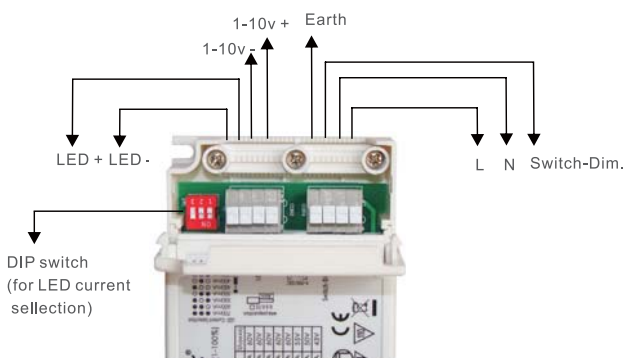
Multi-current dimmable LED driver



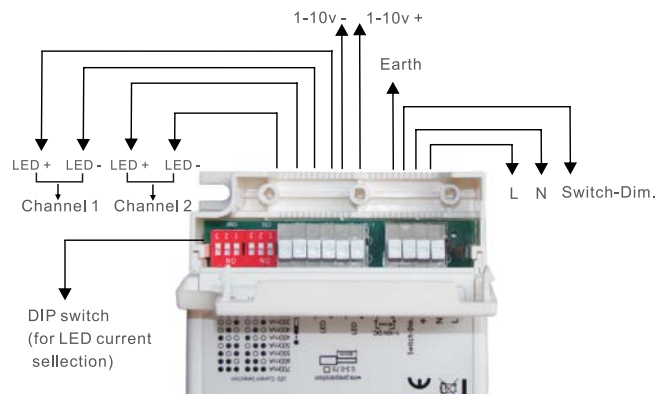
Model:CEPSCC30WD-MC,1x30W



Model:CEPSCC50WD-MC,2x25W



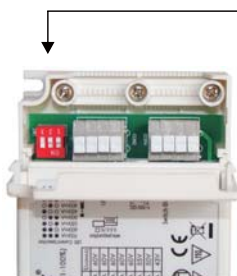
Model:CEPSCC30WD-MC,1x30W



Model:CEPSCC50WD-MC,2x25W

## LED current selection

This multi-current LED driver has covered the normal current in the market. The current can be easily configured by choosing the correct combination of the DIP switches--



Model:CEPSCC30WD-MC,1x30W

	1	2	3	Current
I	○	○	○	250mA
II	●	○	○	350mA
III	○	●	○	400mA
IV	○	○	●	450mA
V	●	●	○	500mA
VI	●	○	●	550mA
VII	○	●	●	600mA
VIII	●	●	●	700mA



Model:CEPSCC50WD-MC,2x25W

**Warning:** please make sure the correct current is selected before switching on the driver!!! (Over-current may cause serious damage to the LED, while under-current does not give the full light output of the LED.)



## Switch-Dim:

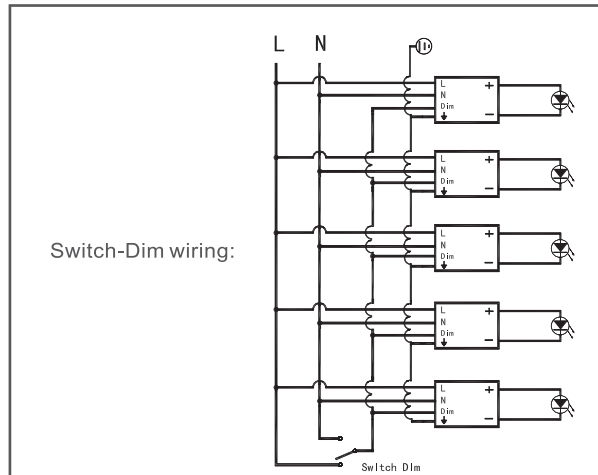
- \* On/off: Short push(50-400ms) on the switch.
- \* Stepless dimming: Long push and hold ( > 400ms) on the switch.
- \* For fine tuning of light level: With every 2nd long push,the light level goes the opposite direction.
- \* Built in with permanent memory: Light returns to the previous dimming level when switched off and on again, even at power failure.

## Synchronization:

No limitation on the number of drivers when connected to the same switch, Thanks to the MCU program.This means there is no need for any additional synchrony wire in large installation, where many drivers should be controlled by 1 switch.

## Permanent memory:

This driver has buit-in permanent memory against power failure, the light always start up at the previous level when they were switched off last time.



Specification	CEPSCC30WD-MC,1x30W	CEPSCC50WD-MC,2x25W
Rated voltage	220-240VAC 50/60Hz	220-240VAC 50/60Hz
Rated current	0.25A(Max)	0.25A(Max)
Rated power	36W(MAX)	2x28W(MAX)
Output voltage	60VDC(max)	60VDC(max)
Operation frequency	320kHz ≥ f ≥ 50kHz	320kHz ≥ f ≥ 50kHz
Power factor	≥ 0.90	≥ 0.90
Operation temperature	Ta: 50°C Tc: 75°C	Ta: 50°C Tc: 75°C
Output current & Load	250mA(1-16pcs) 350mA(1-16pcs) 400mA(1-16pcs)450mA(1-13pcs) 500mA(1-12pcs)550mA(1-11pcs) 600mA(1-10pcs) 700mA(1-10pcs)	250mA(1-16pcs) 350mA(1-16pcs) 400mA(1-16pcs)450mA(1-13pcs) 500mA(1-12pcs)550mA(1-11pcs) 600mA(1-10pcs) 700mA(1-10pcs)
Max. Efficiency	≥ 86%	≥ 86%
Abnormal protection	Output short-circuit protection with auto-reset.	Output short-circuit protection with auto-reset.
Over-heat protection	Over-heat protection with auto-reset.	Over-heat protection with auto-reset.
EMC standard	EN55015 EN61547	EN55015 EN61547
Safety standard	EN61347-1, EN61347-2-13	EN61347-1, EN61347-2-13
Certification	SEMKO, CE, EMC	SEMKO, CE, EMC
Dielectric strength	Input→output: 3750VAC input→ground 1800VAC Output→ground 500VAC all with 5mA/1min	Input→output: 3750VAC input→ground 1800VAC Output→ground 500VAC all with 5mA/1min
IP grade	IP20 built-in type	IP20 built-in type