

DMX / RDM 512 Splitter 8 WAY



P/N: SP-8-WAY-1U

DMX / RDM 512 Splitter 8 WAY



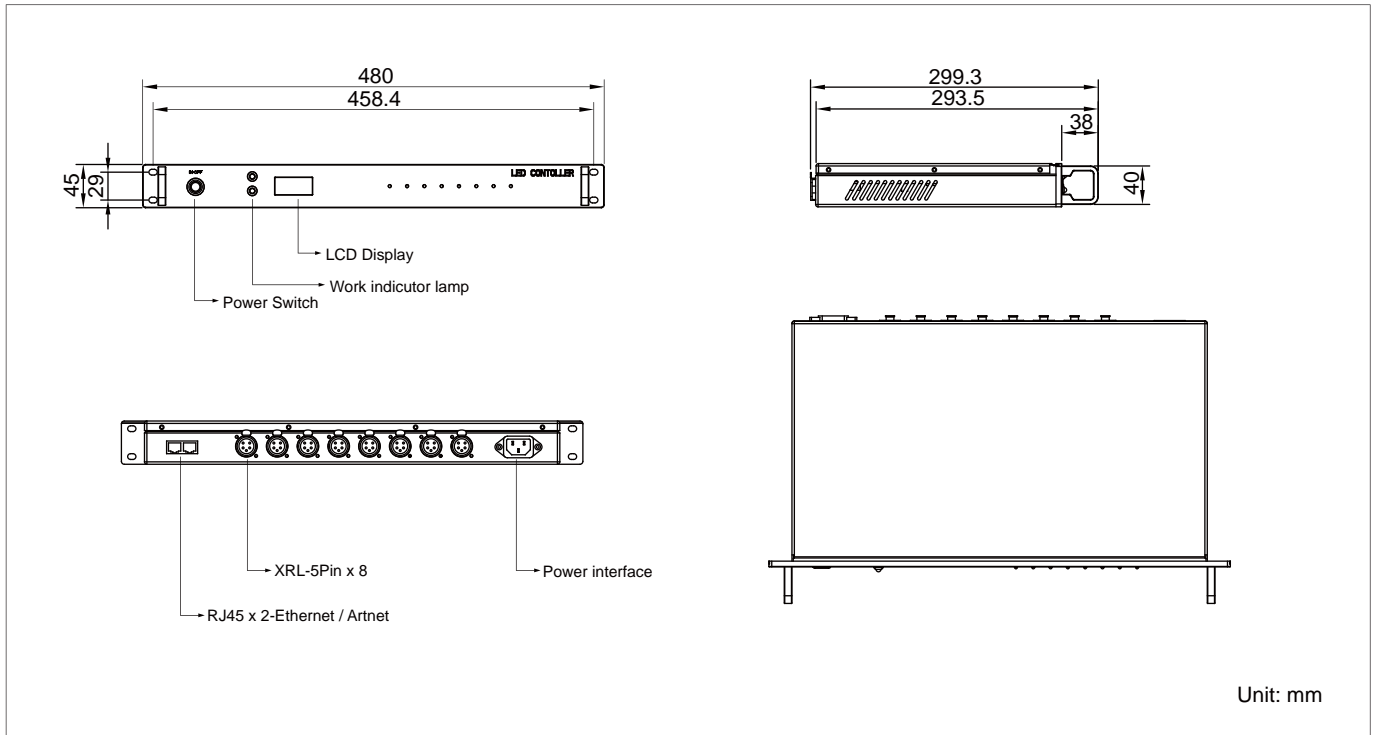
Front View



Rear View



Product Dimensions:



Specifications:

Power Max.	10W
Input Voltage	AC 100~240V 50/60Hz
Input protocol	Ethernet / Artnet
Input Connector	RJ45x2
Output Protocol	DMX512x8 / 1024x8
Output Connector	XLR5-Pinx8
Installation	19"1U Standard Rack
Weight	1.9kg