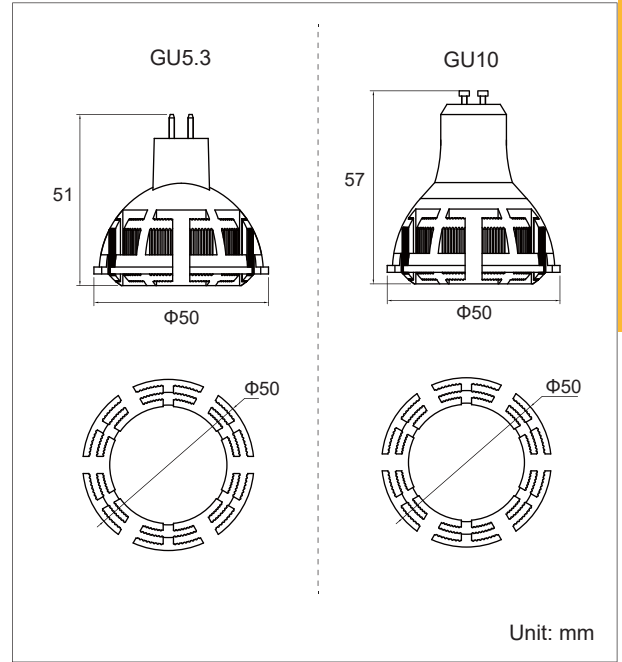
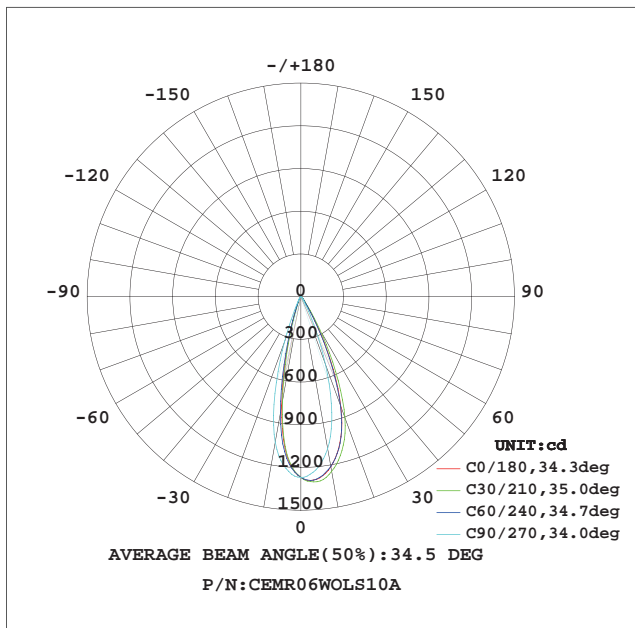




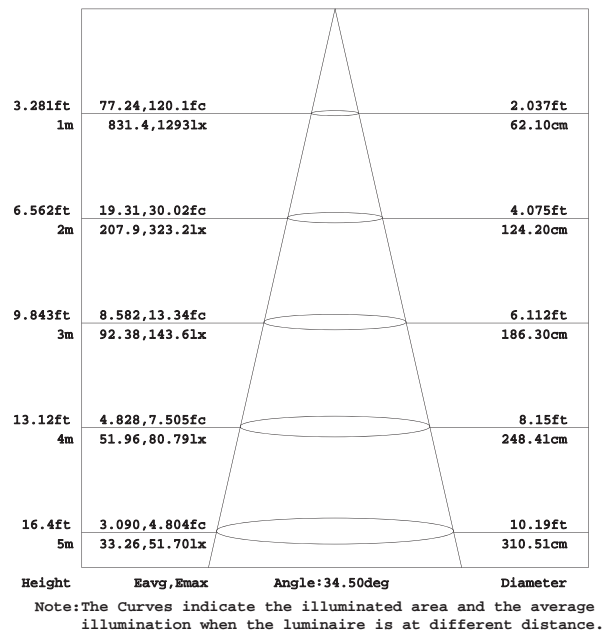
Product Dimensions:



Luminous Intensity Distribution Diagram:



Lux Distribution:



Manufacturing Quality Standard:

- ISO 9001:2008

LED Luminaire Standard:

- EN/IEC 60598-1
- EN/IEC 60598-2-1
- EN/IEC 60598-2-2
- EN/IEC 60529
- EN/IEC 62471-2
- IEC 62612
- EN/IEC 60968
- IEC 62560
- EN/IEC 60061-1
- EN 13032-1
- EN 13032-2
- EN/IEC 62471

Electronic Driver Standard:

- EN/IEC 61347-1
- EN/IEC 61347-2-13
- EN/IEC 62384
- EN/IEC 61000-3-2
- EN/IEC 61000-3-3
- EN/IEC 61547
- EN 55015(CISPR 15)

LED Module Standard:

- IEC 62031
- IEC 60838-2-2

LED Light Photometric Standard:

- CIE; TM14; LM-75; IES; LDT; CEN; CIB

RoHS Standard:

- EPA3050B
- EN 1122B
- IEC 62321
- EPA3052
- EPA3060A
- EPA7196A
- EPA3540C
- EPA8270C

LED Luminaire Performance:

- IESNA LM-79-08
- IESNA LM-80-08
- Switching cycle: 100,000x

Features:

- Can replace 50W halogen lamp
- Excellent cooling system
- Surface electrostatics spray coating
- Makes beam focus, minimize light pollution.
- Optional 1~10V dimming (external driver)
- Optional triac dimming leading edge(external driver)

Applications:

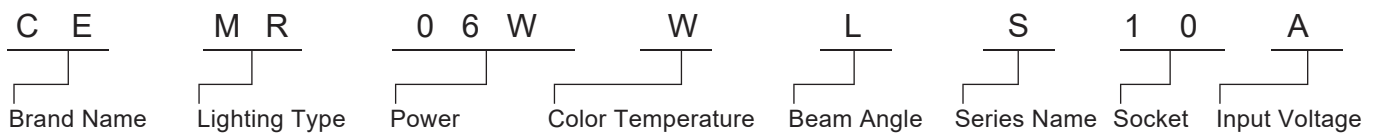
- Domestic use in living and dining rooms,bedrooms, halls and studies
- Hotel lounges, restaurants
- Bedrooms, halls, conference rooms and foyers
- Clubs and social areas
- Ballrooms
- Shops and boutiques



Specifications:

Power	6W
Beam Angle	15° / 24° / 36°
Color Rendering Index	80
Luminaire Efficacy	80lm/w(2700K), 85lm/w(3000K), 90lm/w(4000K), 90lm/w (6500K)
LED Source Efficacy	110lm/w(2700K),115lm/w (3000K), 125lm/w (4000K), 130lm/w (6500K)
LED Source	PHILIPS LUMILEDS
Life Time	50,000 Hours
Operating Temperature	-20-50°C
Operating Humidity	10%-90%RH
Socket	GU10
Finishing Materials	Aluminum and Polycarbonate
Body Color	Sliver
RAL Color Code	RAL 9006
Net Weight	50g

Ordering Part No.:



Brand Name	Lighting Type	Power	Color Temperature	Beam Angle	Series Name	Socket	Input Voltage
CE: CELEX	MR: MR16	06W	O: 2700K W: 3000K N: 4000K C: 6500K	S: 15° M: 24° L: 36°	S: SPIDER Series	53: GU5.3 10: GU10	N: AC/DC 12V A: AC 220-240V