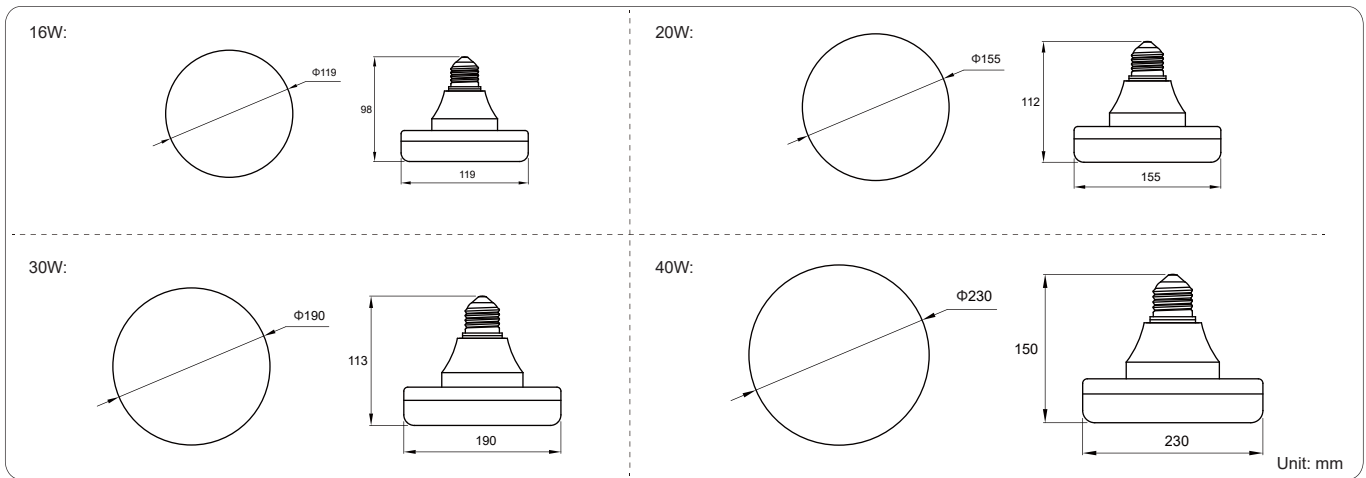
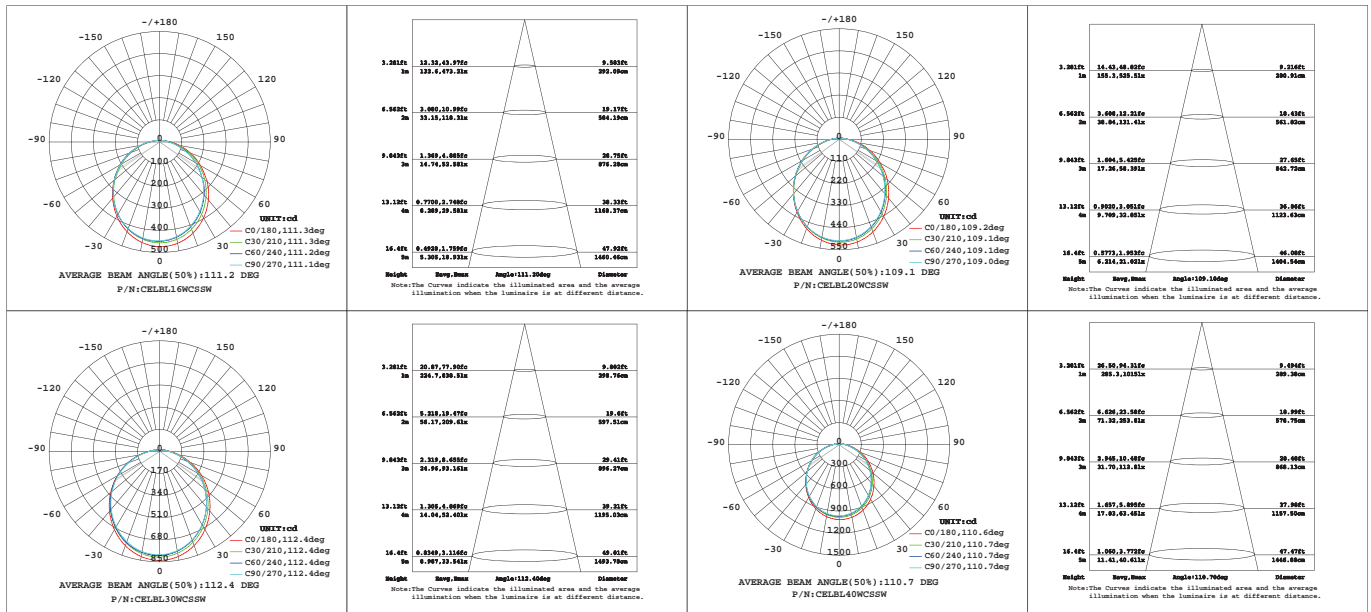




Product Dimensions:



Luminous Intensity Distribution Diagram & Lux Distribution:



Features:

- High transmittance diffuser and quality grade aluminum casing; wide irradiating area with affluent brightness and light uniformity effect; no dark rims.
- Smart and Elegant design appearance. Dust, pest and water seepage proof with anti-fog and haze effects.
- Use of E27 and B22 lamp base, fit for traditional lamp replacement with ease of installation.
- High-quality LED light source – low light decay, long life span.
- Use of high efficiency constant current driver with stable performance on fast start and variable voltage input benefits.

Applications:

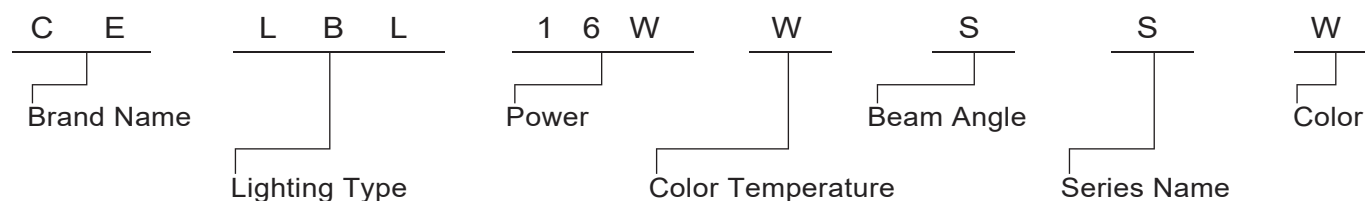
- Household
- Office
- Hotel
- School
- Hospital



Specifications:

Power	16W	20W	30W	40W
Size	Φ119mm	Φ155mm	Φ190mm	Φ230mm
Input Voltage	AC 100~240V 50/60Hz			
Beam Angle	110°			
Color Rendering Index	>70			
Luminaire Efficacy	70lm/w (3000K), 80lm/w (4000K), 90lm/w (6500K)			
LED Source Efficacy	110lm/w (3000K), 120lm/w (4000K), 130lm/w (6500K)			
Operating Temperature	-20°C~50°C			
Life Time	15,000 Hours			
Operating Humidity	0~99%RH			
Finishing Materials	Aluminum and Polycarbonate			
Body Color	Matte White / Matte Black / Matte Grey / Tailor-made			
RAL Color Code	RAL 9003 / RAL 9017 / RAL 7042 /			
Net Weight	111g	155g	300g	435g

Ordering Part No.:



Brand Name	Lighting Type	Power	Color Temperature	Beam Angle	Series Name	Color
CE: CELEX	LBL: Low Bay Light	16W 20W 30W 40W	W: 3000K N: 4000K C: 6500K	S: 110°	S: SAUCER Series	W: Matte White B: Matte Balck G: Matte Grey