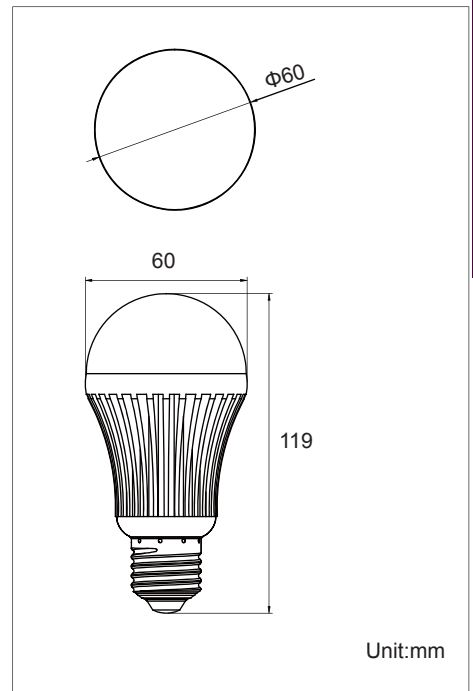
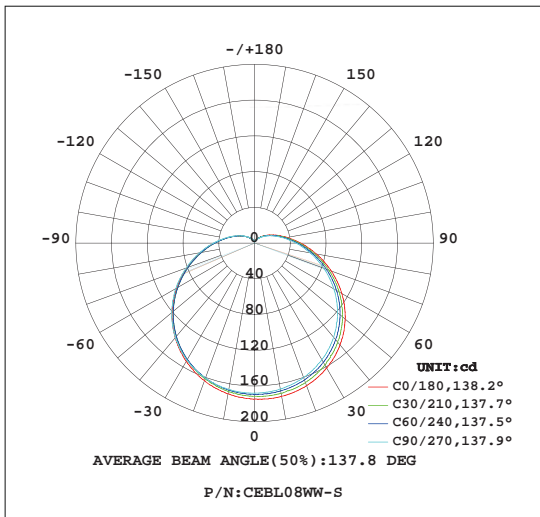


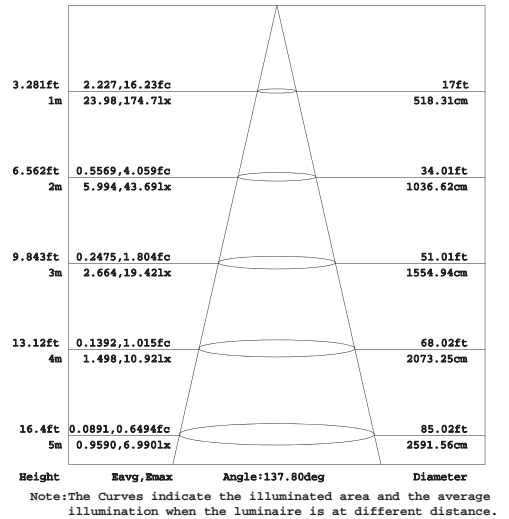
Product Dimensions:



Luminous Intensity Distribution Diagram:



Lux Distribution:



Manufacturing Quality Standard:

- ISO 9001:2008

LED Luminaire Standard:

- EN/IEC 60598-1
- EN/IEC 60598-2-1
- EN/IEC 60598-2-2
- EN/IEC 60529
- EN/IEC 62471-2
- IEC 62612
- EN/IEC 60968
- IEC 62560
- EN/IEC 60061-1
- EN 13032-1
- EN 13032-2
- EN/IEC 62471
- EN/IEC 60825
- EN 60061-1

Electronic Driver Standard:

- EN/IEC 61347-1
- EN/IEC 61347-2-13
- EN/IEC 62384
- EN/IEC 61000-3-2
- EN/IEC 61000-3-3
- EN/IEC 61547
- EN 55015(CISPR 15)

LED Module Standard:

- IEC 62031
- IEC 60838-2-2

RoHS Standard:

- EPA3050B
- EN 1122B
- IEC 62321
- EPA3052
- EPA3060A
- EPA7196A
- EPA3540C
- EPA8270D

LED Luminaire Performance:

- IESNA LM-79-08
- IESNA LM-80-08
- Switching cycle: 100,000x

LED Light Photometric Standard:

- CIE; TM14; LM-75; IES; LDT; CEN; CIB

Features:

- Can replace 90W tungsten bulb
- Can replace 18W compact fluorescent lamp
- Milky diffuser for UGR standard
- Excellent cooling system
- UV and IR Free

Applications:

- Home Lighting
- Shopping Mall Lighting
- Down Light



Specifications:

Part No	CCT (K)	Beam Angle	Color Rendering Index	Beam Intensity (cd)	Luminaire Luminous (lm)	Socket	Power (W)	Dimmable
CEBL08WW-S	3000	140°	80	180	640	E27	8	Yes
CEBL08WN-S	4000	140°	80	200	680	E27	8	Yes
CEBL08WC-S	6500	140°	80	220	720	E27	8	Yes

General And Electrical Characteristics:

- Input Voltage: AC 220~240V 50/60Hz
- Operating Temperature: -20°C ~ 50°C
- Life Time: 50,000 Hours (Ta=25°C)
- Housing Materials: Aluminum / Polycarbonate
- Body Color: Silver / White
- LED Type: SMD
- Net Weight: 160g

