



LED BOLLARD LIGHT

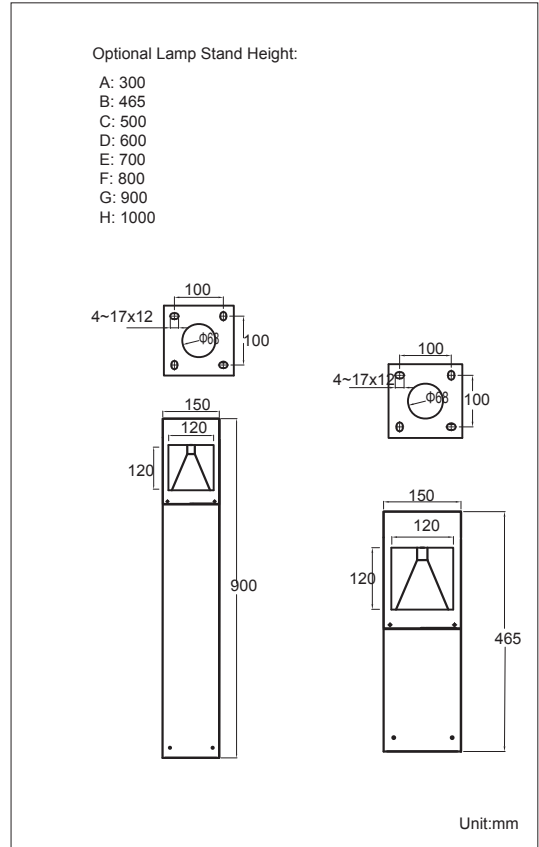
The Application of Art and Harmony:

- Lawn,
- Garden,
- Square,
- Residential area,
- Park

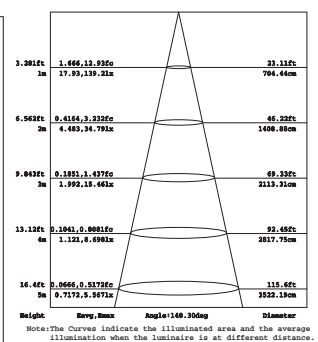
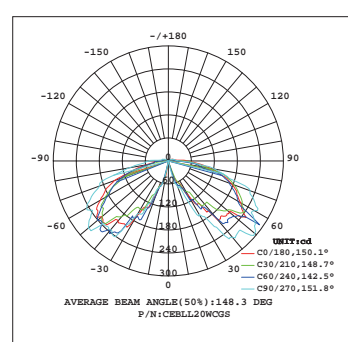
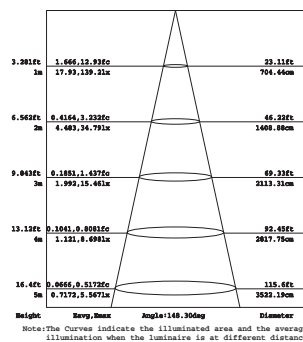
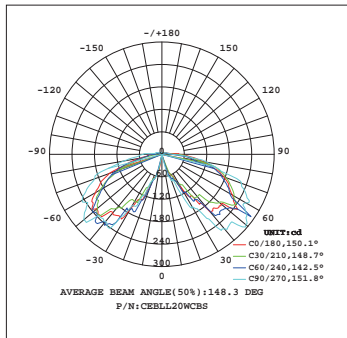




Product Dimensions:



Luminous Intensity Distribution Diagram & Lux Distribution:



Manufacturing Quality Standard:

- ISO 9001:2008

LED Luminaire Standard:

- EN/IEC 60598-1
- EN/IEC 60598-2-1
- EN/IEC 60598-2-2
- EN/IEC 60529
- EN/IEC 62471-2
- IEC 62612
- EN/IEC 60968
- IEC 62560
- EN/IEC 60061-1
- EN 13032-1
- EN 13032-2
- EN/IEC 62471
- EN/IEC 60825
- EN 60061-1

Electronic Driver Standard:

- EN/IEC 61347-1
- EN/IEC 61347-2-13
- EN/IEC 62384
- EN/IEC 61000-3-2
- EN/IEC 61000-3-3
- EN/IEC 61547
- EN 55015(CISPR 15)

LED Module Standard:

- IEC 62031
- IEC 60838-2-2

LED Light Photometric Standard:

- CIE; TM14; LM-75; IES; LDT; CEN; CIB

RoHS Standard:

- EPA3050B
- EN 1122B
- IEC 62321
- EPA3052
- EPA3060A
- EPA7196A
- EPA3540C
- EPA8270D

LED Luminaire Performance:

- LM-80-08
- Switching cycle:100,000x

Features:

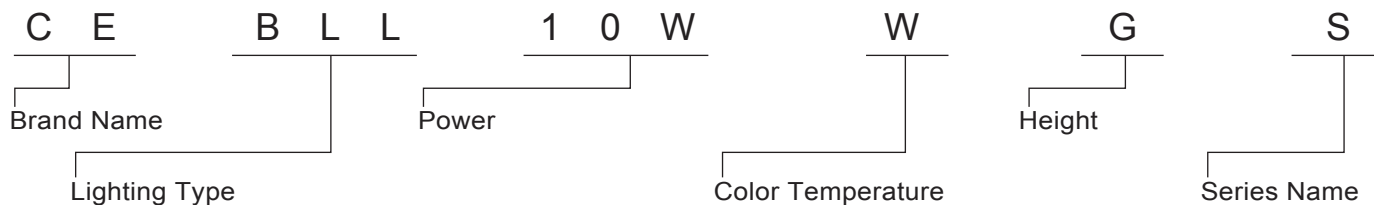
- The body adopts both alloy aluminum and high-pressed die-casting materials, with anti-aging surface and antistatic spray treatment
- Protection grade IP65, superior than traditional lawn lights
- Uses high-power CREE LEDs
- Build-in constant current LED Driver
- 304# stainless steel fastness parts
- The diffuser is made of 3mm thickness tempered glass



Specifications:

Power	10W / 20W
Input Voltage	AC 220~240V 50/60Hz
Beam Angle	360°
Color Rendering Index	85
Luminaire Efficacy	* 48lm/w (3000K), * 52lm/w (4000K), * 62lm/w (6500K)
LED Source Efficacy	* 100lm/w (3000K), * 110lm/w (4000K), * 120lm/w (6500K)
LED Source	CREE
Operating Temperature	-20~50°C
Operating Humidity	10%~95%RH
Total Harmonic Distortion	20%
Life Time	50,000 Hours at Ta=40°C
Housing Materials	Aluminum and Tempered Glass
Body Color	Black

Ordering Part No.:



Brand Name	Lighting Type	Power	Color Temperature	Height	Series Name
CE: CELEX	BLL: Bollard Light	10W 20W	W: 3000K N: 4000K C: 6500K	A:300mm B:465mm C:500mm D:600mm E: 700mm F:800mm G:900mm H:1000mm T:Custom-Made	S: SABIK Series

Installation Guide:

