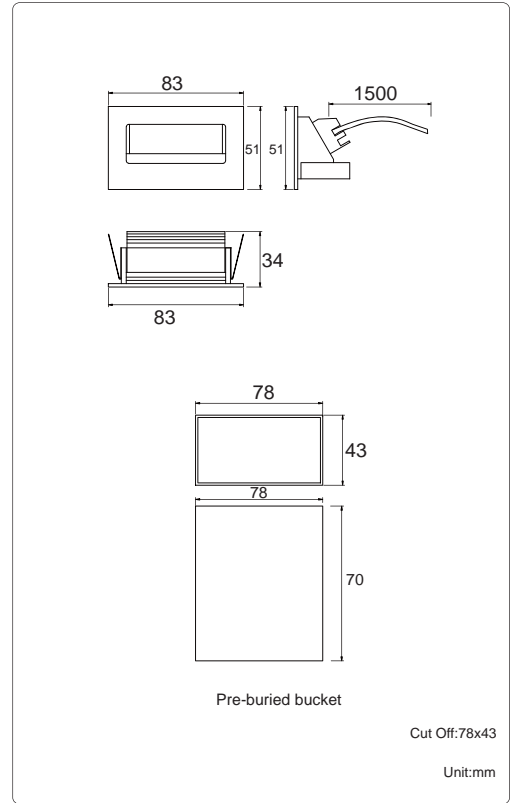


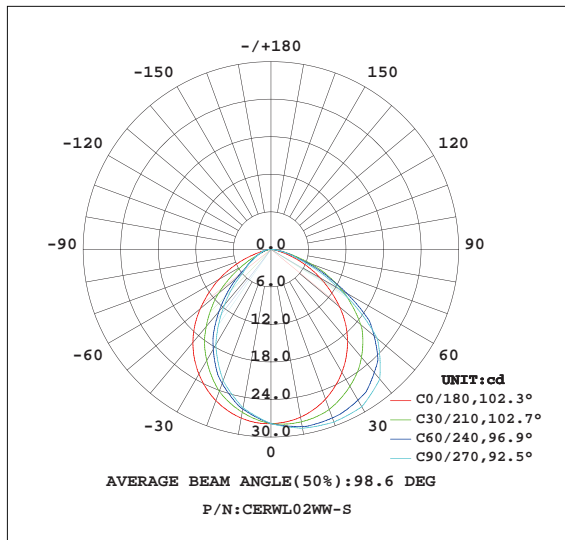
LED Recess Wall Light S-LINE Series



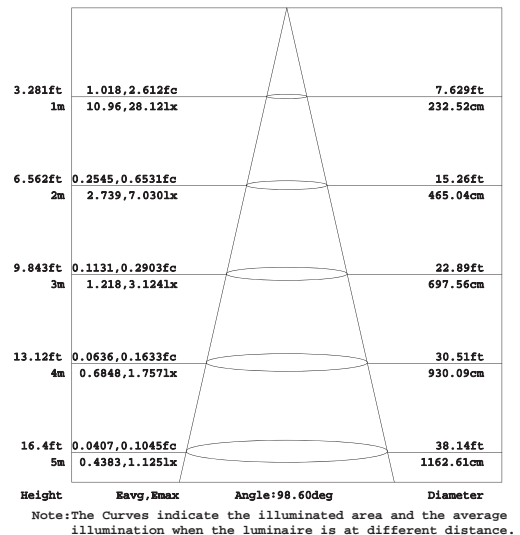
Product Dimensions:



Luminous Intensity Distribution Diagram:



Lux Distribution:



Manufacturing Quality Standard:

- ISO 9001:2008

LED Luminaire Standard:

- EN/IEC 60598-1
- EN/IEC 60598-2-1
- EN/IEC 60598-2-2
- EN/IEC 60529
- EN/IEC 62471-2
- IEC 62612
- EN/IEC 60968
- IEC 62560
- EN/IEC 60061-1
- EN 13032-1
- EN 13032-2
- EN/IEC 62471
- EN/IEC 60825
- EN 60061-1

Electronic Driver Standard:

- EN/IEC 61347-1
- EN/IEC 61347-2-13
- EN/IEC 62384
- EN/IEC 61000-3-2
- EN/IEC 61000-3-3
- EN/IEC 61547
- EN 55015(CISPR 15)

LED Module Standard:

- IEC 62031
- IEC 60838-2-2

LED Light Photometric Standard:

- CIE; TM14; LM-75; IES; LDT; CEN; CIB

RoHS Standard:

- EPA3050B
- EN 1122B
- IEC 62321
- EPA3052
- EPA3060A
- EPA7196A
- EPA3540C
- EPA8270D

LED Luminaire Performance:

- LM-80-08
- Switching cycle: 100,000x



Features:

- The body uses both alloy aluminum and high-pressed die-casting materials, with surface anti-aging and antistatic spray treatment
- The protection grade is up to IP67
- Build-in constant current LED Driver
- #304 stainless steel fasten parts

Applications:

- Public squares
- Parks
- Foyer landscaping
- Swimming pools



Specifications:

Part No	CCT (K)	Beam Angle	Color Rendering Index	Luminaire Intensity (cd)	Luminaire Luminous Flux (lm)	LED Source (lm)	Power (W)
CERWL02WW-S	3000	92°	85	30	70	200	2
CERWL02WN-S	4000	92°	85	35	80	220	2
CERWL02WC-S	6500	92°	85	40	100	240	2

Products Characteristic:

- Input: AC 100~240V 50/60Hz
- Operating Temperature: -20~50°C
- Operating Humidity: 10%~95%
- Life Time: 50,000 Hours at Ta=40°C
- LED Source: Nichia
- Body Color: Black or Silver
- Finishing Materials: Aluminum and Frosted Glass
- Net Weight: 330g

