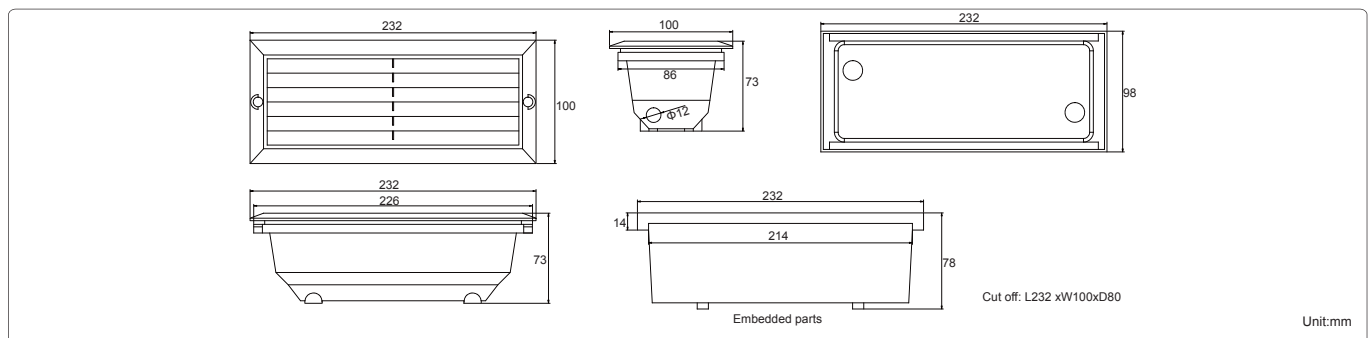
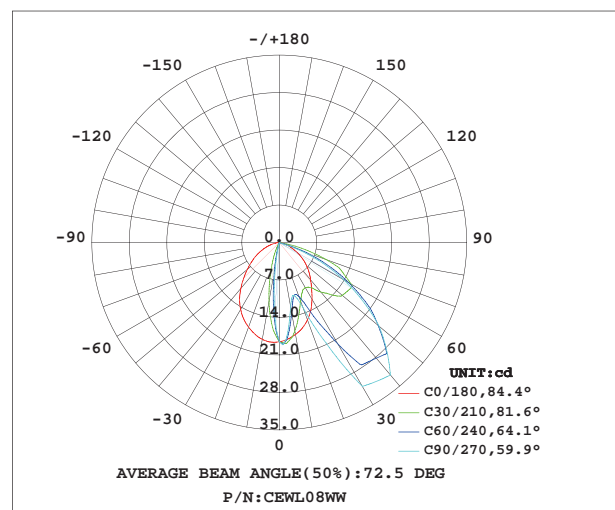




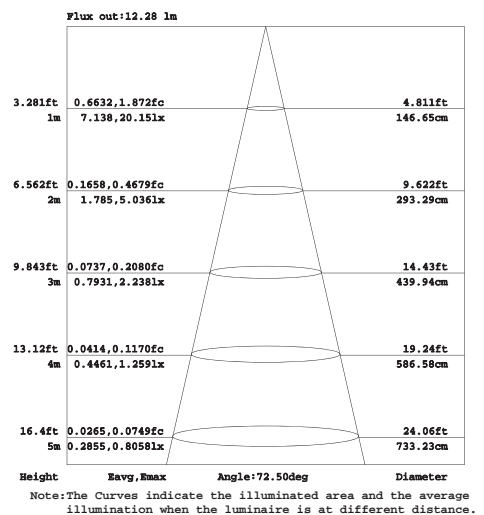
Product Dimensions:



Luminous Intensity Distribution Diagram:



Lux Distribution:



Manufacturing Quality Standard:

- ISO 9001:2008

LED Luminaire Standard:

- EN/IEC 60598-1
- EN/IEC 60598-2-1
- EN/IEC 60598-2-2
- EN/IEC 60529
- EN/IEC 62471-2
- IEC 62612
- EN/IEC 60968
- IEC 62560
- EN/IEC 60061-1
- EN 13032-1
- EN 13032-2
- EN/IEC 62471
- EN/IEC 60825
- EN 60061-1

Electronic Driver Standard:

- EN/IEC 61347-1
- EN/IEC 61347-2-13
- EN/IEC 62384
- EN/IEC 61000-3-2
- EN/IEC 61000-3-3
- EN/IEC 61547
- EN 55015(CISPR 15)

LED Module Standard:

- IEC 62031
- IEC 60838-2-2

LED Light Photometric Standard:

- CIE; TM14; LM-75; IES; LDT; CEN; CIB

RoHS Standard:

- EPA3050B
- EN 1122B
- IEC 62321
- EPA3052
- EPA3060A
- EPA7196A
- EPA3540C
- EPA8270D

LED Luminaire Performance:

- LM-80-08
- Switching cycle:100,000x

Features:

- Excellent waterproof performance
- Excellent cooling system
- High-pressure die-casting aluminium housing
- Surface electroatatic spray coating

Applications:

- Public squares
- Parks
- Foyer landscaping
- Stairs



Specifications:

Part No	CCT (K)	Beam Angle	Color Rendering Index	Luminaire Luminous Flux (lm)	Power (W)
CEWL08WW	2800	73°	80	40	8
CEWL08WN	4000	73°	80	50	8
CEWL08WC	6500	73°	80	60	8

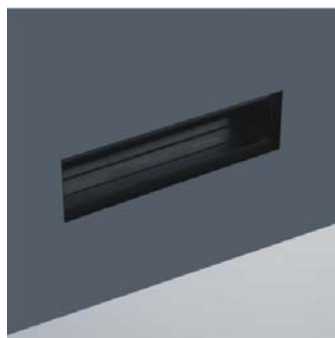
Products Characteristic:

- Input Voltage:DC 24V
- Operating Temperature:-20°C ~ 50°C
- Operation Humidity:0~100%
- Life Time:50,000 Hours
- Body Color:Black
- Housing Materials:Aluminum/Glass
- LED Type:OSRAM
- Net Weight:515g

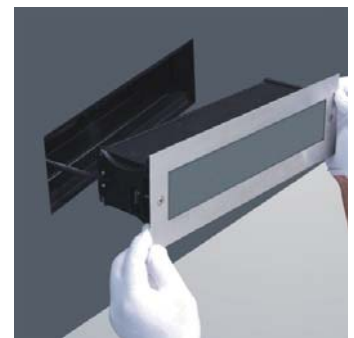
Installation Steps



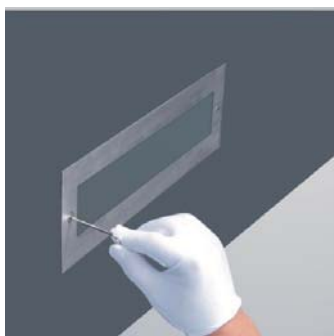
Disassemble the pre-buried bracket.



Keep a wire in the mounting hole, then install the pre-buried bucket into the mounting hole,make sure the up edge of the pre-buried bucket and the mounting surface are in the same level.



Connect the wire,make sure the waterproof components is fixed tight,install the light body into the pre-buried bucket.



Fix the frame with screw, complete installation



Simple installation,no need to disassemble the stainless steel frame