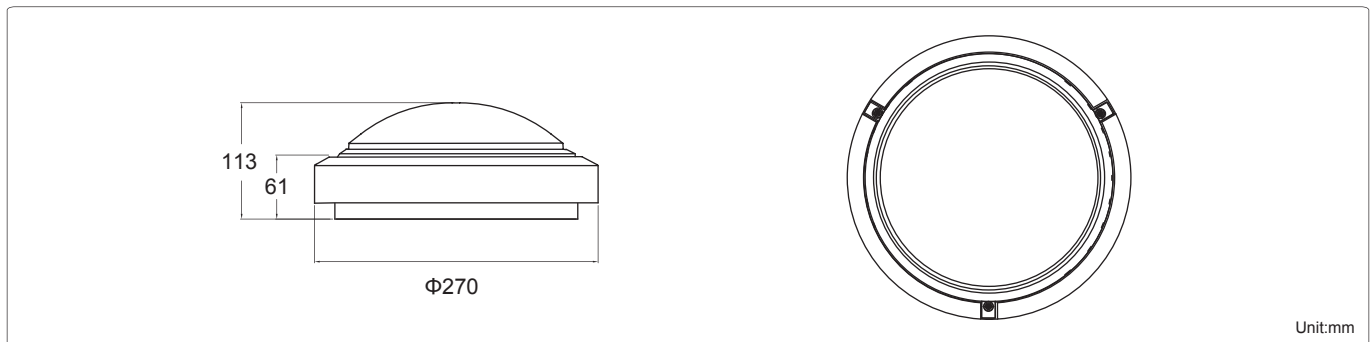


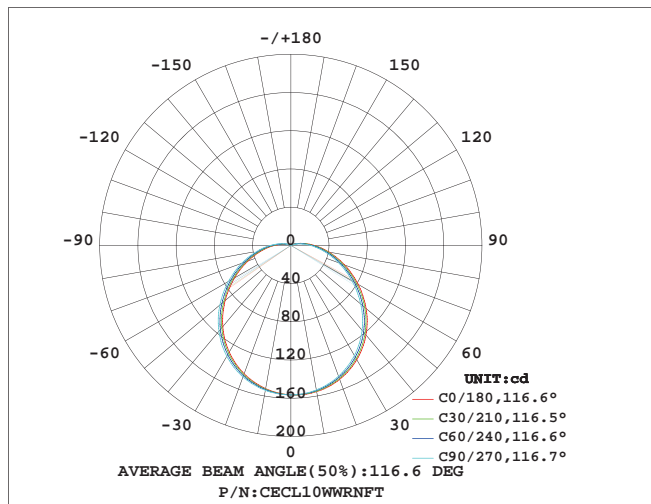
LED Ceiling Light ROLA Series (Weather Proof)



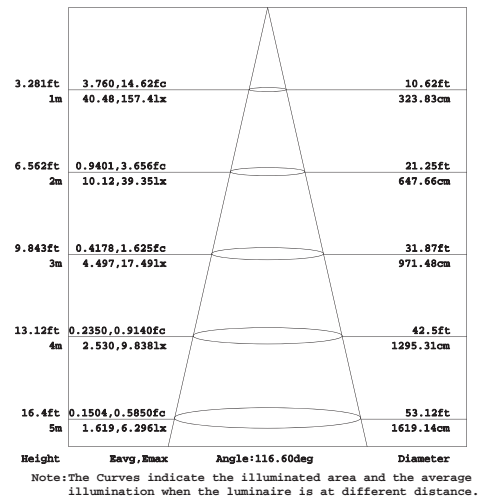
Product Dimensions:



Luminous Intensity Distribution Diagram:



Lux Distribution:



Manufacturing Quality Standard:

- ISO 9001:2008

LED Luminaire Standard:

- EN/IEC 60598-1
- EN/IEC 60598-2-1
- EN/IEC 60598-2-2
- EN/IEC 60529
- EN/IEC 62471-2
- IEC 62612
- EN/IEC 60968
- IEC 62560
- EN/IEC 60061-1
- EN 13032-1
- EN 13032-2
- EN/IEC 62471

Electronic Driver Standard:

- EN/IEC 61347-1
- EN/IEC 61347-2-13
- EN/IEC 62384
- EN/IEC 61000-3-2
- EN/IEC 61000-3-3
- EN/IEC 61547
- EN 55015(CISPR 15)

LED Module Standard:

- IEC 62031
- IEC 60838-2-2

RoHS Standard:

- EPA3050B
- EN 1122
- IEC 62321
- EPA3052
- EPA3060A
- EPA7196A
- EPA3540C
- EPA8270C

LED Luminaire Performance:

- IESNA LM-79-08
- IESNA LM-80-08
- Switching cycle: 100,000x

LED Light Photometric Standard:

- CIE; TM14; LM-75; IES; LDT; CEN; CIB

Emergency Standard:

- With CELEX-LED Emergency System
- HKFSD PPA 104A(4th Revision)
- EN 60598-2-22
- BS 6387
- BS EN 60598-2-22
- EN 61347-2-7
- BS EN 60702-2
- BS 5266-1
- BS 6207-3



LED Ceiling Light ROLA Series (Weather Proof)



Features:

- Die-cast aluminium housing and frame with high corrosion resistance
- DuPont outdoor electrostatic powder painting.
- 304 standard stainless steel fastness part.
- Diffuser is ABS plastic
- High purity aluminium heat conduction piece.
- Silicon seal gasket

Applications:

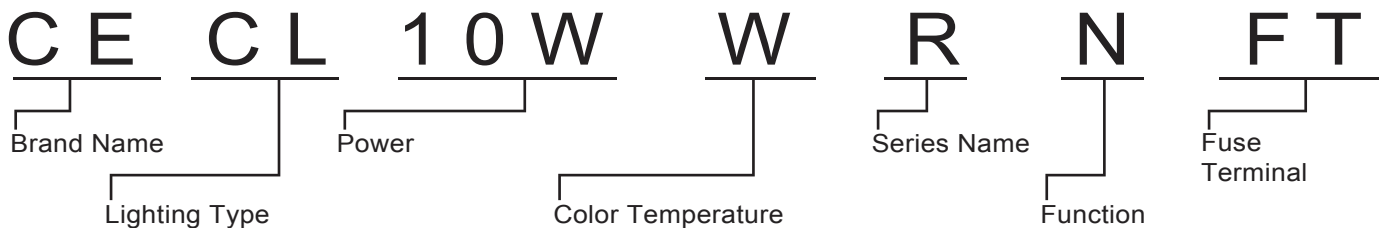
- Outdoor Corridor
- Outdoor
- Outdoor Eaves



LED Down Light Specifications:

Power	6W~12W
Input Voltage:	AC 85~264V 50/60Hz
Power Factor:	>0.9
Beam Angle	116°
Color Rendering Index	80
Luminaire Efficacy	* 60lm/w (2700K), * 65lm/w (3000K), * 70lm/w (4000K), * 80lm/w (5000K), * 90lm/w(6500K)
LED Source Efficacy	* 95lm/w (2700K), * 100lm/w (3000K), * 110lm/w (4000K), * 115lm/w (5000K), * 120lm/w (6500K)
Operating Temperature	-20~50°C
LED Sources	CREE
Life Time	50,000 Hours at Ta=40°C
Operating Humidity	10%~95%RH
Finishing Materials	Aluminum and Milky Polycarbonate
Body Color	Matt Grey
RAL Color Code	RAL7042
Net Weight	1.8kg

Ordering Part No.:



Brand Name	Lighting Type	Power	Color Temperature	Series Name	Function	Fuse Terminal
CE: CELEX	CL: Ceiling Light	06W 07W 08W 09W 10W 11W 12W	O: 2700K W: 3000K N: 4000K D: 5000K C: 6500K	R: ROLA Series	E: Emergency N: Switch In T: Triac dimming Leading Edge V: 1~10V Dimming	N: No FT: FTB1 BS Fuse

LED Ceiling Light ROLA Series (Weather Proof)

Installation Steps:

Fix the mounting plate on the mounting position. Connect the wire, reinstall the lamp.



Fix the cover with screws.



Complete installation.



Turn on the lamp for testing.

