

LED Linear Light ROCO Series

CELEXLED

Description:

ROCO series LED Linear light is a outdoor linear fixture available in four dimensions: 125mm / 250mm / 500mm / 1000mm / 1500mm. It has monochrome or RGB LEDs able to be controlled by DMX and RDM. This product suits perfectly to architectural contour lighting on buildings, ornamental colour washing effects or integration instructors and facades. It's as well a great alternative to urban furniture due to its IP67 protection rating.

Features:

- Surface-mounted type
- Comply with DMX512 (1990)
- External driver to comply with 1~10V ,leading edge and Dali dimming system
- Anode oxidized 6063 aluminum alloy and Silicon Epoxy encapsulated
- Integrated fired-resistant (V0) IP67 U.S.A 5 Pin connectors
- Display to 16,777,216 colors in RGB version
- Frame per second:>100 FPS at DMX 512 control
- Dimmable range:0~255 steps at DMX 512 dimming control
- 256 gradations for RGB version individually
- Built-in constant current circuit with PWM signal > 400Hz

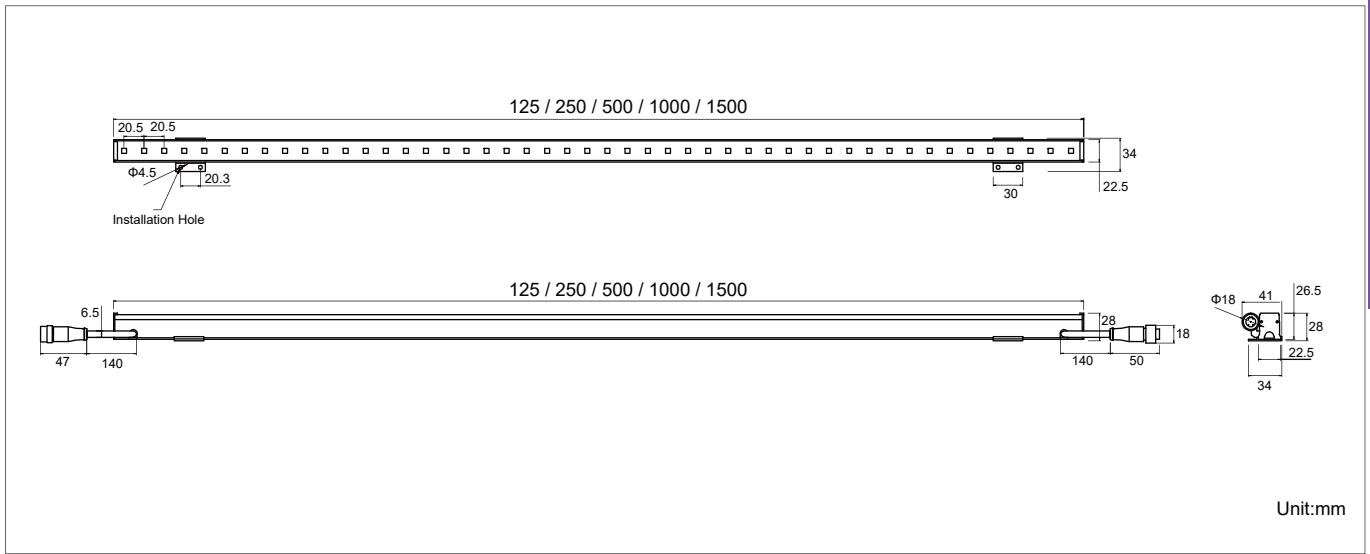
Applications:

- Outdoor plaza
- The house of contours
- Bridges
- Landscape lighting

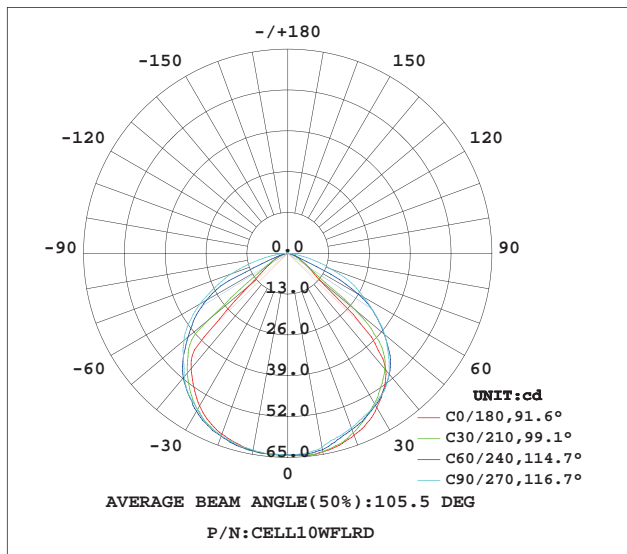
ROCO Series



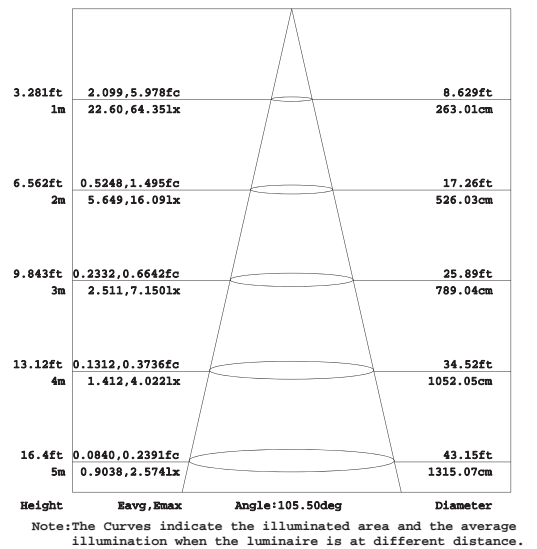
Product Dimensions:



Luminous Intensity Distribution Diagram:



Lux Distribution:



Manufacturing Quality Standard:

- ISO 9001:2008

LED Luminaire Standard:

- EN/IEC 60598-1
- EN/IEC 60598-2-1
- EN/IEC 60598-2-2
- EN/IEC 60529
- EN/IEC 62471-2
- IEC 62612
- EN/IEC 60968
- IEC 62560
- EN/IEC 60061-1
- EN 13032-1
- EN 13032-2
- EN/IEC 62471
- EN/IEC 60825
- EN 60061-1
- UL

Electronic Driver Standard:

- EN/IEC 61347-1
- EN/IEC 61347-2-13
- EN/IEC 62384
- EN/IEC 61000-3-2
- EN/IEC 61000-3-3
- EN/IEC 61547
- EN 55015(CISPR 15)

LED Module Standard:

- IEC 62031
- IEC 60838-2-2

LED Light Photometric Standard:

- CIE; TM14; LM-75; IES; LDT; CEN; CIB

RoHS Standard:

- EPA3050B
- EN 1122B
- IEC 62321
- EPA3052
- EPA3060A
- EPA7196A
- EPA3540C
- EPA8270D

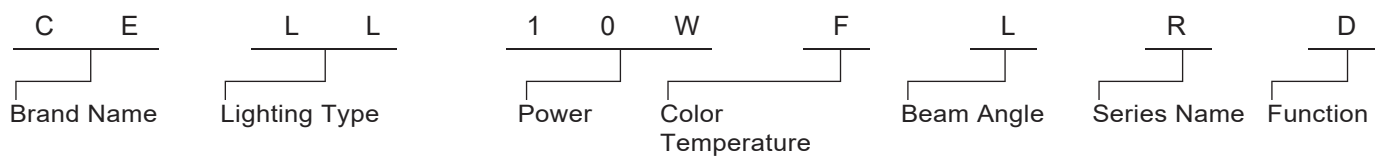
LED Luminaire Performance:

- LM-80-08
- Switching cycle:100,000x

Specifications:

Power	2W	3W	5W	10W	14W
Size (Length)	125mm	250mm	500mm	1000mm	1500mm
Net Weight	150g	250g	350g	600g	800g
Qty of LEDs	6PCS	12PCS	24PCS	48PCS	72PCS
Pixels Per Luminaire	1Pixels	2Pixels	4Pixels	8Pixels	12Pixels
DMX512 Channel Per Luminaire	3 DMX Channels	6 DMX Channels	12 DMX Channels	24 DMX Channels	36 DMX Channels
Pixel Pitch	20.5mm				
Input Voltage	DC 24V				
Control Protocol(optional)	DMX512 / RDM				
Beam Angle	30° / 60° / 105°				
Color Rendering Index	80@White Color				
Luminaire Efficacy	75lm/w(2700K), 80lm/w(3000K), 90lm/w(4000K), 95lm/w(5000K),		100lm/w(6500K), 20lm/w(RGB), 10lm/w(Blue 450~460nm), 50lm/w(Red 620~630nm),		65lm/w(Green 520~530nm), 30lm/w(Yellow 589~595nm)
LED Source Efficacy	90lm/w(2700K), 95lm/w(3000K), 110lm/w(4000K), 115lm/w(5000K),		120lm/w (6500K), 35lm/w(RGB), 20lm/w(Blue 450~460nm), 70lm/w(Red 620~630nm),		80lm/w(Green 520~530nm), 50lm/w(Yellow 589~595nm)
LED Source	CREE / Taiwan Epistar				
Life Time	50,000 Hours				
Operating Temperature	-20°C~70°C				
Operating Humidity	0~99%RH				
Finishing Materials	Aluminum / Polycarbonate				
Body Color	Sliver / Matte Black / Matte Grey / Tailor-made				
RAL Color Code	RAL9006 / RAL9017 / RAL7042 /				

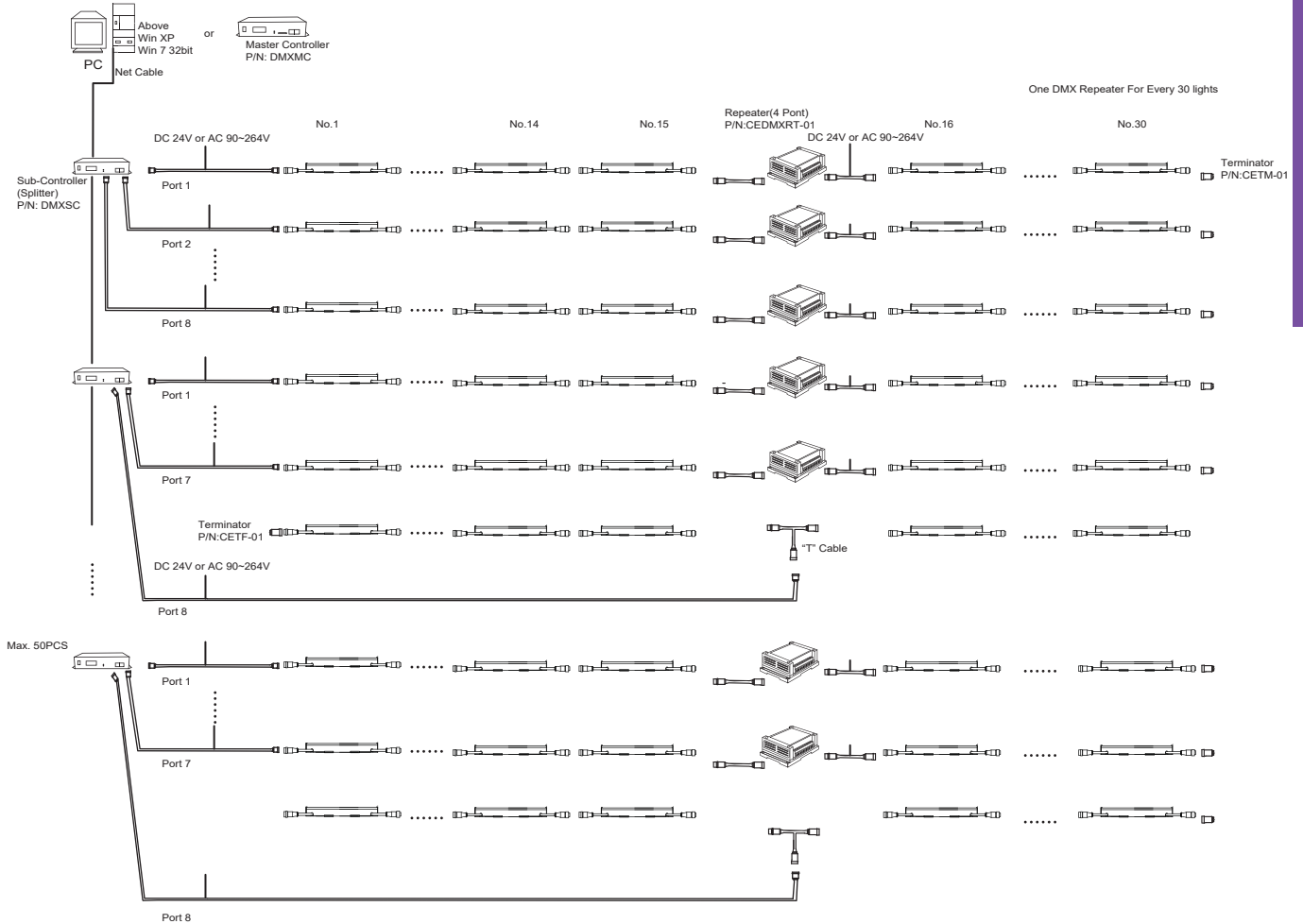
Ordering Part No.:



Brand Name	Lighting Type	Power	Color Temperature	Beam Angle	Series Name	Function
CE: CELEX	LL: Linear Light	02W 03W 05W 10W 14W	O: 2700K W: 3000K N: 4000K D: 5000K C: 6500K R: Red(620~630nm) G: Green(520~530nm) B: Blue(450~460nm) Y: Yellow(590~595nm) F: Full Color(RGB)	S: 30° M: 60° L: 105°	R: ROCO Series	D: DMX512 +DC 24V L: DC 24V R: RDM+DC 24V

LED Linear Light ROCO Series

DMX Controllers:



Accessories:



DMX Repeater
P/N: CEDMXRT-01



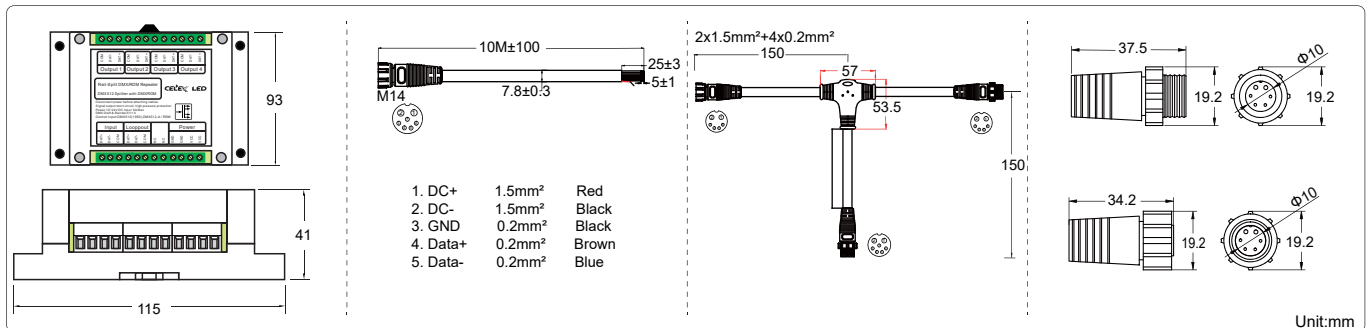
M14 5 core signal shielding
extension wire-10m
P/N: CECM14-5C-10M



M14 5 Core "T" Cable-150mm
P/N: CECM14-5C-T



M14 Resistor 120 ohm Terminator
P/N: CETM-01 P/N: CETF-01



Master Controller
P/N: DMXMC



Sub-Controller (Splitter)
P/N: DMXSC

