

## LED Linear Light ROCO II Series



### Description:

ROCO II series LED Linear light is a outdoor linear fixture available in four dimensions: 250mm/500mm/1000mm/1500mm. It has monochrome RGBW LEDs able to be controlled by DMX and RDM. This product suits perfectly to architectural contour lighting on buildings, ornamental colour washing effects or integration instructors and facades. It's as well a great alternative to urban furniture due to its IP67 protection rating.

### Features:

- Surface-mounted type
- Comply with DMX-512 (1990)
- External driver to comply with 1~10V ,leading edge and dali dimming system
- Anode oxidized 6063 aluminum alloy and silicon epoxy encapsulated
- Integrated fired-resistant (V0) IP67 U.S.A 5 Pin connectors
- Display to 16,777,216 colors in RGBW version
- Frame per second:>100 FPS at DMX 512 control
- Dimmable range:0~255 steps at DMX 512 dimming control
- 256 gradations for RGBW version individually
- Built-in constant current circuit with PWM signal > 400Hz

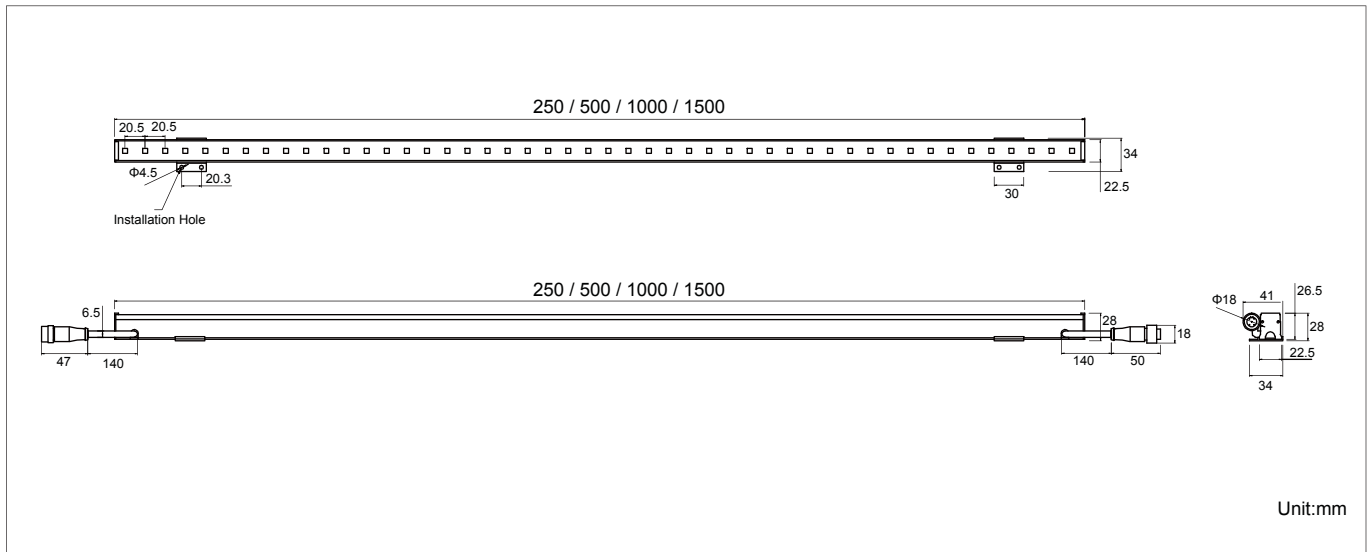
### Applications:

- Outdoor plaza
- The house of contours
- Bridges
- Landscape lighting

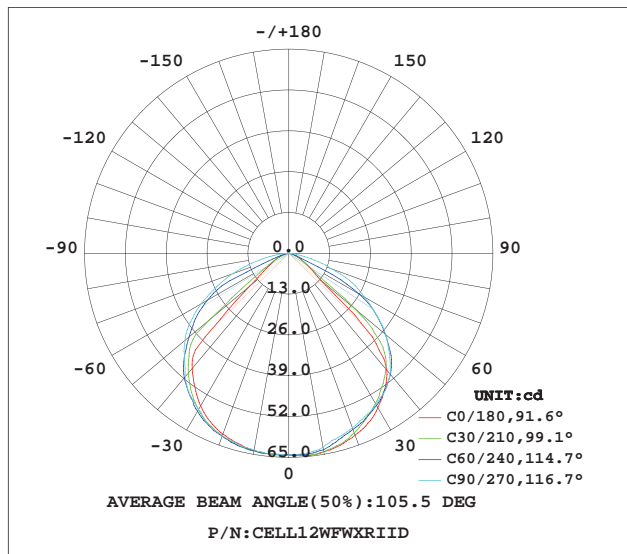
## ROCO II Series



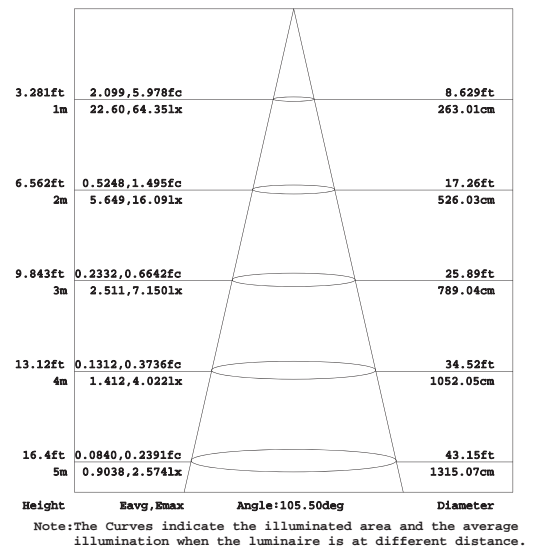
Product Dimensions:



Luminous Intensity Distribution Diagram:



Lux Distribution:



Manufacturing Quality Standard:

- ISO 9001:2008

LED Luminaire Standard:

- EN/IEC 60598-1
- EN/IEC 60598-2-1
- EN/IEC 60598-2-2
- EN/IEC 60529
- EN/IEC 62471-2
- IEC 62612
- EN/IEC 60968
- IEC 62560
- EN/IEC 60061-1
- EN 13032-1
- EN 13032-2
- EN/IEC 62471
- EN/IEC 60825
- EN 60061-1
- UL

Electronic Driver Standard:

- EN/IEC 61347-1
- EN/IEC 61347-2-13
- EN/IEC 62384
- EN/IEC 61000-3-2
- EN/IEC 61000-3-3
- EN/IEC 61547
- EN 55015(CISPR 15)

LED Module Standard:

- IEC 62031
- IEC 60838-2-2

LED Light Photometric Standard:

- CIE; TM14; LM-75; IES; LDT; CEN; CIB

RoHS Standard:

- EPA3050B
- EN 1122B
- IEC 62321
- EPA3052
- EPA3060A
- EPA7196A
- EPA3540C
- EPA8270D

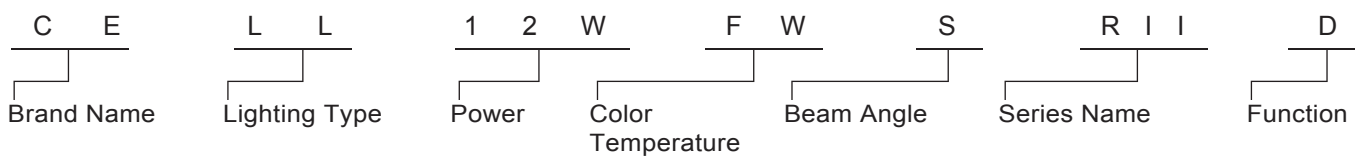
LED Luminaire Performance:

- LM-80-08
- Switching cycle:100,000x

## Specifications:

Power (Max)	18W	12W	6W	4W
Size (Length)	1500mm	1000mm	500mm	250mm
Net Weight	800g	600g	350g	250g
Qty of LEDs	144PCS	96PCS	48PCS	24PCS
Pixels Per Luminaire	12Pixels	8Pixels	4Pixels	2Pixels
DMX512 Channel Per Luminaire	48 DMX Channels	32 DMX Channels	16 DMX Channels	8 DMX Channels
Pixel Pitch	20.5mm			
Input Voltage	DC 24V			
Control Protocol(optional)	DMX 512 / RDM			
Beam Angle	No Lens: 30° / 45° / 60° / 90° / 105°			
Color Rendering Index	80@White Color			
Luminaire Efficacy	*40lm/w RGBO(2700K), *45lm/w RGBW(3000K), *50lm/w RGBN(4000K),		*55lm/w RGBD(5000K), *60lm/w RGBC(6500K),	
LED Source Efficacy	*60lm/w RGBO(2700K), *65lm/w RGBW(3000K), *70lm/w RGBN(4000K),		*75lm/w RGBD(5000K), *80lm/w RGBC(6500K),	
LED Source	CREE / Taiwan Epistar			
Life Time	50,000 Hours			
Operating Temperature	-20°C~70°C			
Operating Humidity	0~99%RH			
Finishing Materials	Aluminum / Polycarbonate			
Body Color	Sliver / Matte Black / Matte Grey / Tailor-made			
RAL Color Code	9006 / 9017 / 7042 /			

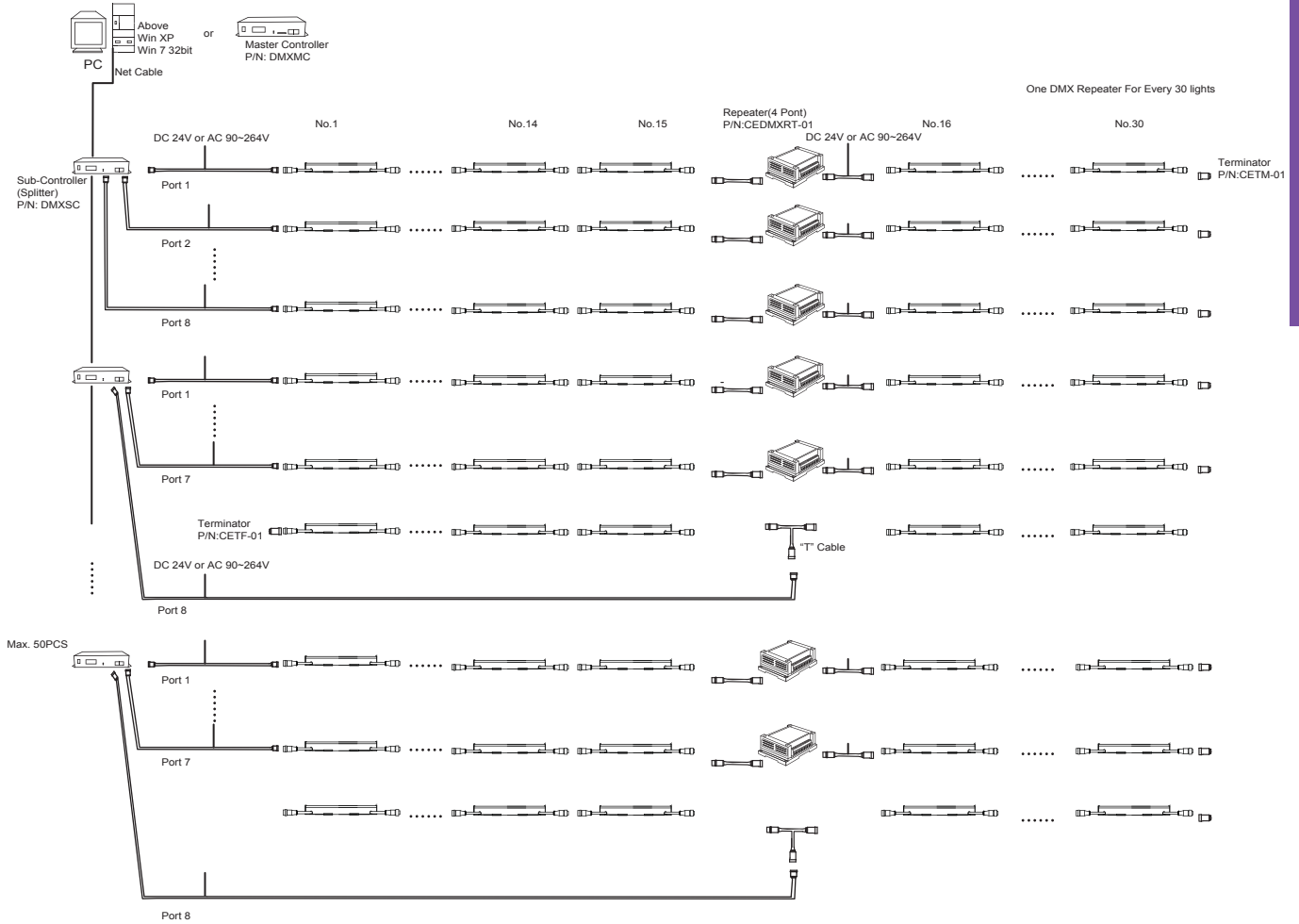
## Ordering Part No.:



Brand Name	Lighting Type	Power	Color Temperature	Beam Angle	Series Name	Function
CE: CELEX	LL: Linear Light	18W 12W 06W 04W	FO: RGBO(2700K) FW: RGBW(3000K) FN: RGBN(4000K) FD: RGBD(5000K) FC: RGBC(6500K)	S: 30° M:45° L: 60° W: 90° X:105°	RII: ROCO II Series	D: DMX 512 +DC 24V L: DC 24V R: RDM+DC 24V

# LED Linear Light ROCO II Series

## DMX Controllers:



## Accessories:



DMX Repeater  
P/N: CEDMXRT-01



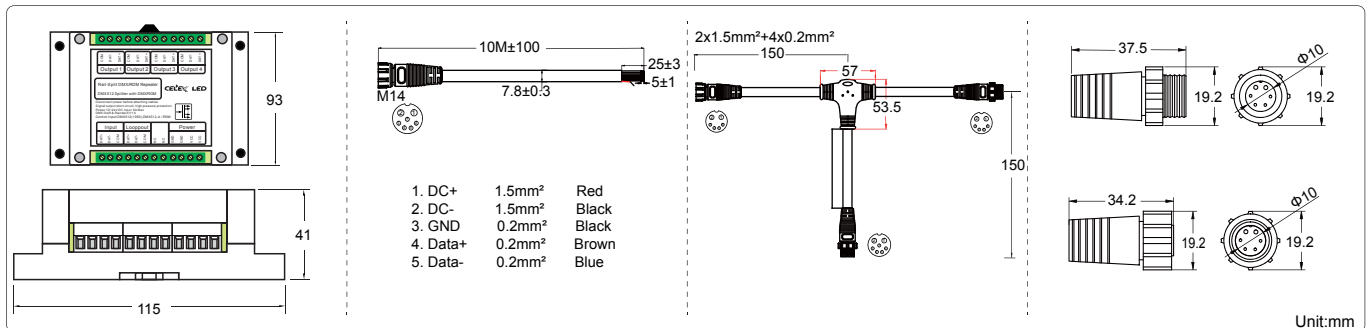
M14 5 core signal shielding  
extension wire-10m  
P/N: CECM14-5C-10M



M14 5 Core "T" Cable-150mm  
P/N: CECM14-5C-T



M14 Resistor 120 ohm Terminator  
P/N: CETM-01 P/N: CETF-01



Master Controller  
P/N: DMXMC



Sub-Controller (Splitter)  
P/N: DMXSC

