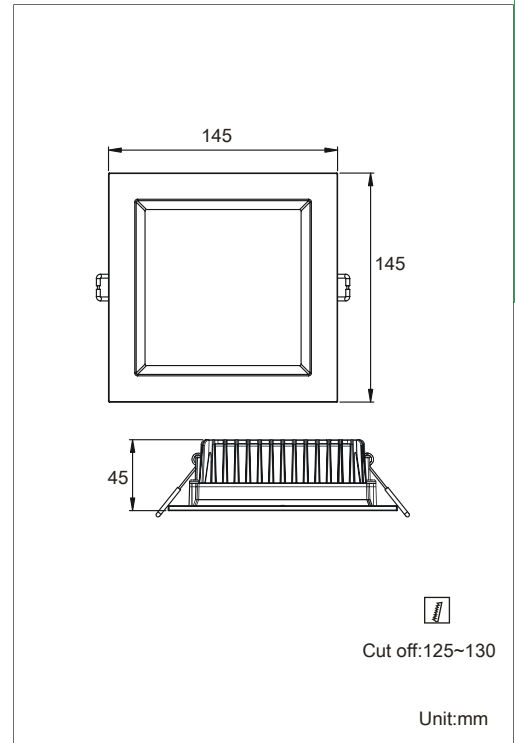
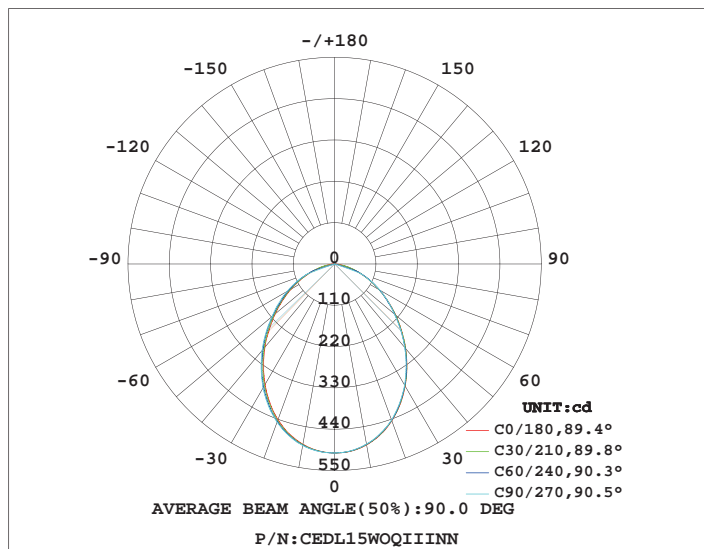




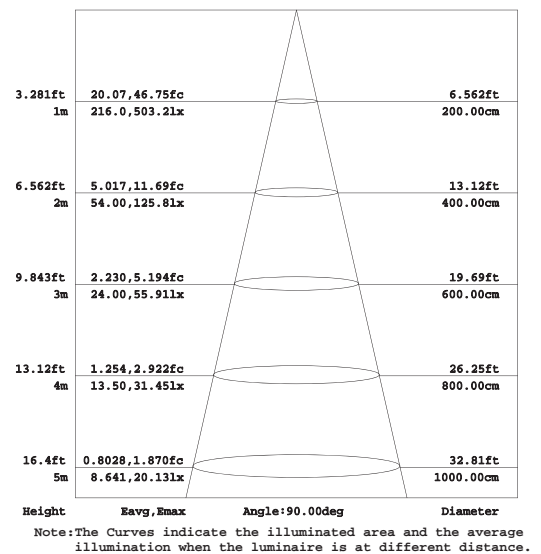
Product Dimensions:



Luminous Intensity Distribution Diagram:



Lux Distribution:



Manufacturing Quality Standard:

- ISO 9001:2008

LED Luminaire Standard:

- EN/IEC 60598-1
- EN/IEC 60598-2-1
- EN/IEC 60598-2-2
- EN/IEC 60529
- EN/IEC 62471-2
- IEC 62612
- EN/IEC 60968
- IEC 62560
- EN/IEC 60061-1
- EN 13032-1
- EN 13032-2
- EN/IEC 62471

Electronic Driver Standard:

- EN/IEC 61347-1
- EN/IEC 61347-2-13
- EN/IEC 62384
- EN/IEC 61000-3-2
- EN/IEC 61000-3-3
- EN/IEC 61547
- EN 55015(CISPR 15)

LED Module Standard:

- IEC 62031
- IEC 60838-2-2

RoHS Standard:

- EPA3050B
- EN 1122
- IEC 62321
- EPA3052
- EPA3060A
- EPA7196A
- EPA3540C
- EPA8270C

LED Luminaire Performance:

- IESNA LM-79-08
- IESNA LM-80-08
- Switching cycle:100,000x

LED Light Photometric Standard:

- CIE; TM14; LM-75; IES; LDT; CEN; CIB

Emergency Standard:

- With CELEX-LED Emergency System
- HKFSD PPA 104A(4th Revision)
- EN 60598-2-22
- BS 6387
- BS EN 60598-2-22
- EN 61347-2-7
- BS EN 60702-2
- BS 5266-1
- BS 6207-3

Features:

- Recessed mounted type
- 6063 aluminum fins light bodies is lighter and provide better heat dissipation
- High power efficiency (>0.85) and power factor(>0.9)
- Optional 1~10V driver for dimming control
- Optional dali driver for dimming control
- Optional DMX driver for dimming control
- Optional battery kit for emergency lighting
- Optional DMX driver for DMX512 dimming control

Applications:

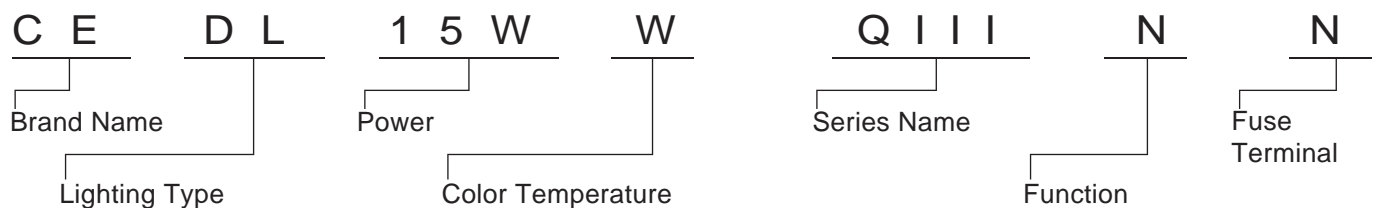
- Home use
- Hotel Lounges
- Restaurants
- Halls and clubs
- Ballrooms



Specifications:

Power	12W / 15W / 20W
Input Voltage	AC 220~240V 50/60Hz
Power Factor	>0.9
Beam Angle	90°
Color Rendering Index	80
Luminaire Efficacy	* 70lm/w (2700K), * 75lm/w (3000K), * 85lm/w (4000K), * 90lm/w (5000K), * 100lm/w (6500K)
LED Source Efficacy	* 90lm/w (2700K), * 100lm/w (3000K), * 110lm/w (4000K), * 115lm/w (5000K), * 120lm/w (6500K)
LED Source	SMD
Life Time	50,000 Hours at Ta=40°C
Operating Temperatures	-20~50°C
Operating Humidity	10%~90%RH
Finishing Materials	Aluminum and Milky Polycarbonate
Body Color	Matt White / Matt Black
RAL Color Code	RAL9016 / RAL 9005
Net Weight	600g

Ordering Part No.:



Brand Name	Lighting Type	Power	Color Temperature	Series Name	Function	Fuse Terminal
CE: CELEX	DL: Down Light	12W 15W 20W	O: 2700K W: 3000K N: 4000K D: 5000K C: 6500K	QIII: QANA III Series	D: DMX 512 Dimming E: Emergency N: Switch In(AC 220~240V) T: Triac Dimming Leading Edge V: 1~10V Dimming I: Dali Dimming	N: No FT: FTB1 BS Fuse DG: DG801 Fuse