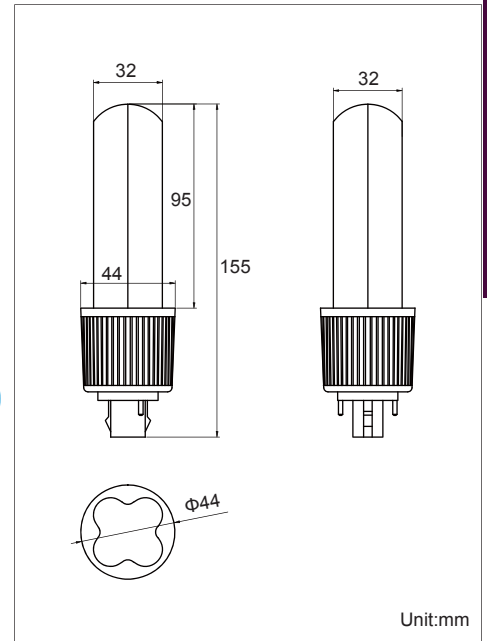


Product Dimensions:



Advantages

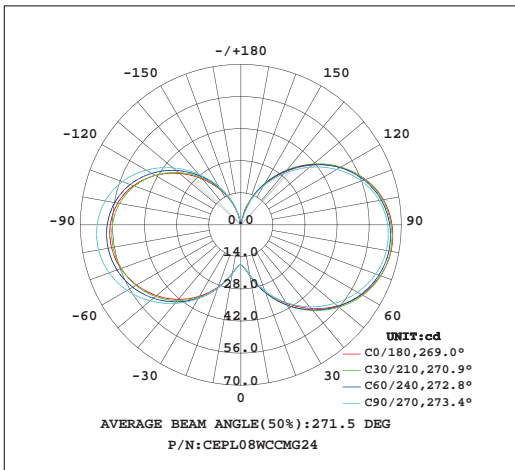
1 SMD3014 95lm/w

2 360 degree beam angle

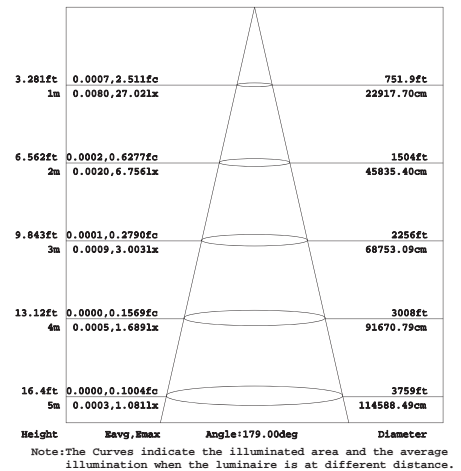
3 Perfect heat dissipation

4 Replace CFL

Luminous Intensity Distribution Diagram:



Lux Distribution:



Manufacturing Quality Standard:

• ISO 9001:2008

LED Luminaire Standard:

- EN/IEC 60598-1
- EN/IEC 60061-1
- EN/IEC 60598-2-1
- EN 13032-1
- EN/IEC 60598-2-2
- EN 13032-2
- EN/IEC 60529
- EN/IEC 62471
- EN/IEC 62471-2
- EN/IEC 60825
- IEC 62612
- EN 60061-1
- EN/IEC 60968
- IEC 62560

Electronic Driver Standard:

- EN/IEC 61347-1
- EN/IEC 61000-3-3
- EN/IEC 61347-2-13
- EN/IEC 61547
- EN/IEC 62384
- EN 55015(CISPR 15)
- EN/IEC 61000-3-2

LED Module Standard:

- IEC 62031
- IEC 60838-2-2

RoHS Standard:

- EPA3050B
- EPA7196A
- EN 1122B
- EPA3540C
- IEC 62321
- EPA8270D
- EPA3052
- EPA3060A

LED Luminaire Performance:

- Switching cycle: 100,000x

LED Light Photometric Standard:

- CIE; TM14; LM-75; IES; LDT; CEN; CIB

Features:

- The constant current power driver, no flickering, fast transient response.
- Unique thermal structure and thermal materials, long life, small light decay.
- Advance optical design, no shadow area.

Applications:

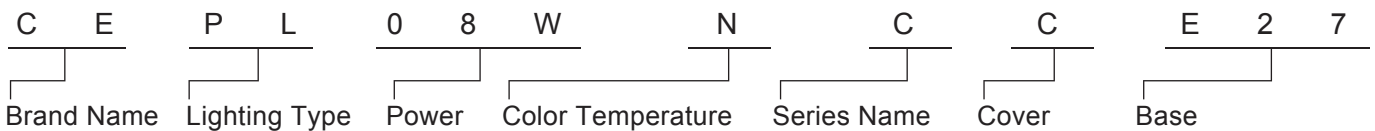
- Hotel lounges
- Shops and boutiques
- Warehouse
- Hall



Specifications:

Power	8W
LED Quantity	68PCS
Input Voltage	AC 90~264V 50/60Hz
Beam Angle	265°
Color Rendering Index	80
Luminaire Efficacy	70lm/w(3000K), 80lm/w(4000K), 90lm/w(6500K)
LED Source Efficacy	100lm/w (3000K), 110lm/w(4000K), 120lm/w(6500K)
LED Source	Epistar
Life Time	50,000 Hours at Ta=40°C
Operating Temperature	-20~50°C
Operating Humidity	10%~90%RH
Finishing Materials	Milky / Clear Polycarbonate
Body Color	Matt White
RAL Color Code	RAL 9003
Net Weight	98g

Ordering Part No.:



Brand Name	Lighting Type	Power	Color Temperature	Series Name	Cover	Base
CE: CELEX	PL: PL Light	8W	W: 3000K N: 4000K C: 6500K	C: CANDLE Series	M: Milky Polycarbonate C: Clear Polycarbonate	E27 G24

Application

