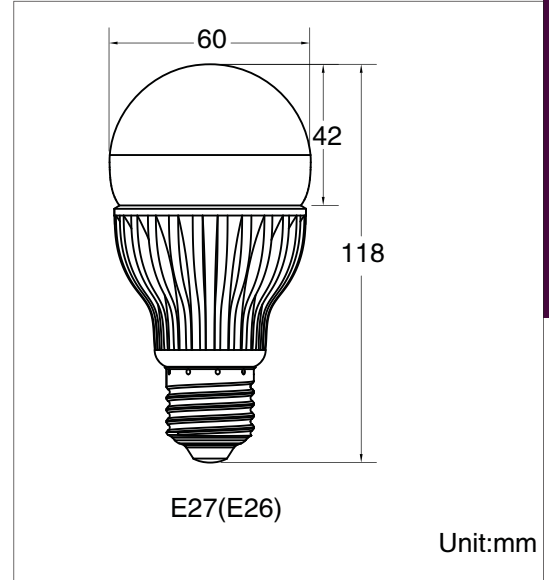
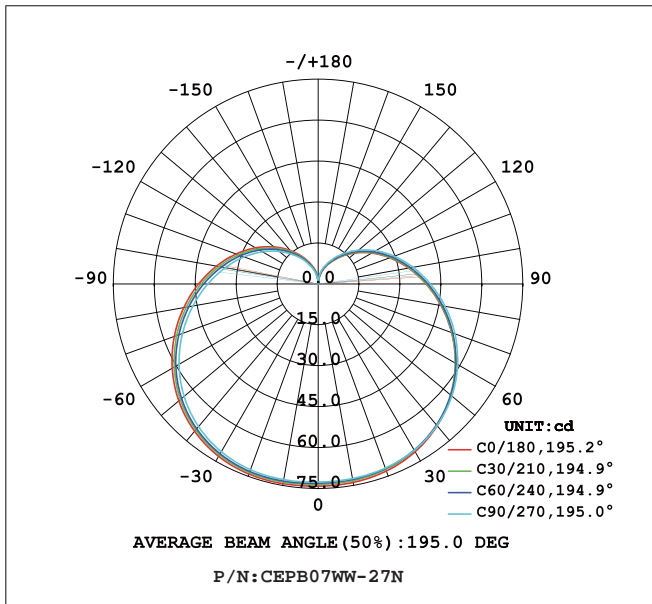




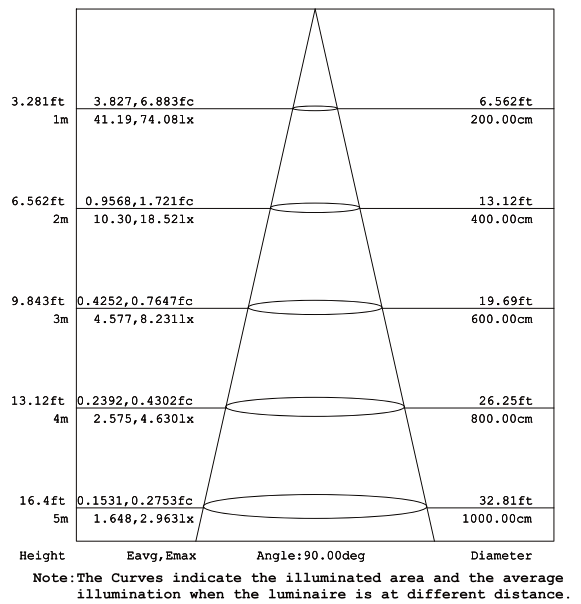
Product Dimensions:



Luminous Intensity Distribution Diagram:



Lux Distribution:



Manufacturing Quality Standard:

- ISO 9001:2008

LED Luminaire Standard:

- EN/IEC 60598-1
- EN/IEC 60598-2-1
- EN/IEC 60598-2-2
- EN/IEC 60529
- EN/IEC 62471-2
- IEC 62612
- EN/IEC 60968
- IEC 62560
- EN/IEC 60061-1
- EN 13032-1
- EN 13032-2
- EN/IEC 62471
- EN/IEC 60825
- EN 60061-1

Electronic Driver Standard:

- EN/IEC 61347-1
- EN/IEC 61347-2-13
- EN/IEC 62384
- EN/IEC 61000-3-2
- EN/IEC 61000-3-3
- EN/IEC 61547
- EN 55015(CISPR 15)

LED Module Standard:

- IEC 62031
- IEC 60838-2-2

RoHS Standard:

- EPA3050B
- EN 1122B
- IEC 62321
- EPA3052
- EPA3060A
- EPA7196A
- EPA3540C
- EPA8270D

LED Luminaire Performance:

- Switching cycle: 100,000x

LED Light Photometric Standard:

- CIE; TM14; LM-75; IES; LDT; CEN; CIB

Features:

- Can replace 60W incandescent bulbs
- Can replace 13W compact fluorescent lamp
- Life time: 40,000 hours at Ta=40°C
- High pressure die-casting aluminum housing
- Uniform illumination with milky diffuser
- Power Factor: >0.9

Applications:

- Home Lighting
- Shopping Mall Lighting
- Down Lighting



Specifications:

Part No	CCT (k)	Beam Angle	Color Rendering Index	Beam Intensity (cd)	Luminaire Luminous Flux (lm)	Socket	Power (w)	Dimmable
CEPB07WW-22N	3000	195°	80	75	520	B22	7	No
CEPB07WN-22N	4000	195°	80	75	580	B22	7	No
CEPB07WC-22N	6500	195°	80	75	600	B22	7	No
CEPB07WW-26N	3000	195°	80	75	520	E26	7	No
CEPB07WN-26N	4000	195°	80	75	580	E26	7	No
CEPB07WC-26N	6500	195°	80	75	600	E26	7	No
CEPB07WW-27N	3000	195°	80	75	520	E27	7	No
CEPB07WN-27N	4000	195°	80	75	580	E27	7	No
CEPB07WC-27N	6500	195°	80	75	600	E27	7	No

Products Characteristic:

- Input Voltage: AC 100~240V(50/60Hz)
- Operating Temperature: -20~60°C
- Operating Humidity: 0~95%
- Housing Materials: Aluminum / Glass
- Life Time: 40,000 Hours (Ta=40°C)
- Body Color: Silver / White
- LED Type: SMD
- Net Weight: 130g

