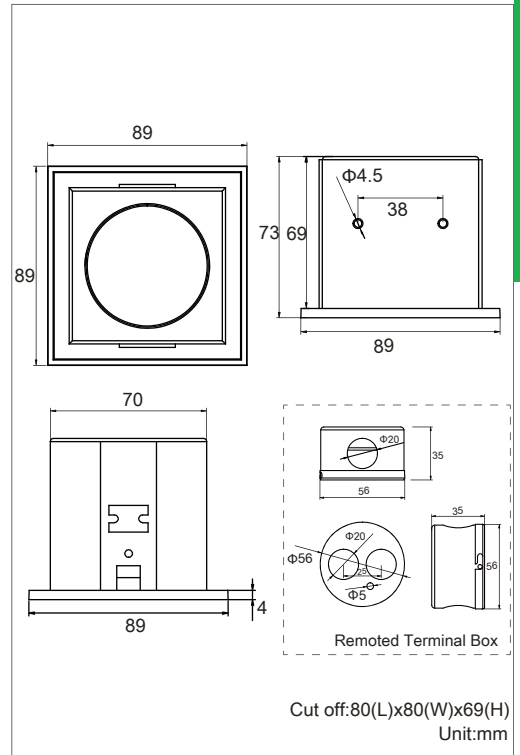


# LED Down Light PAX II Series

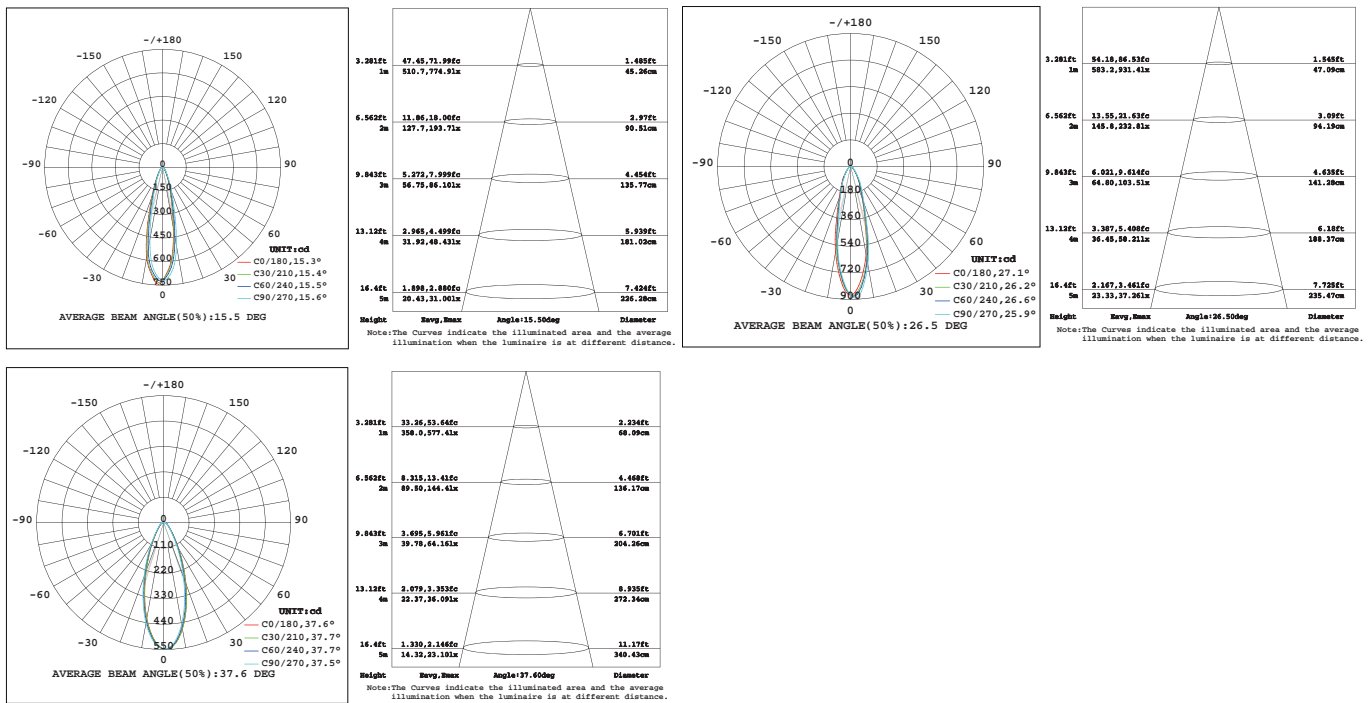


LED Down Light PAX II Series

## Product Dimensions:



## Luminous Intensity Distribution Diagram & Lux Distribution:



### Manufacturing Quality Standard:

- ISO 9001:2008
- **LED Luminaire Standard:**
- EN/IEC 60598-1
- EN/IEC 60598-2-1
- EN/IEC 60598-2-2
- EN/IEC 60529
- EN/IEC 62471-2
- IEC 62612
- EN/IEC 60968
- IEC 62560
- EN/IEC 60061-1
- EN 13032-1
- EN 13032-2
- EN/IEC 62471

### Electronic Driver Standard:

- EN/IEC 61347-1
- EN/IEC 61347-2-13
- EN/IEC 62384
- EN/IEC 61000-3-2
- EPA3050B
- EN 1122
- IEC 62321
- EPA3052
- EPA3060A
- EN/IEC 61000-3-3
- EN/IEC 61547
- EN 55015(CISPR 15)
- EPA7196A
- EPA3540C
- EPA8270C

### RoHS Standard:

- EPA3050B
- EN 1122
- IEC 62321
- EPA3052
- EPA3060A
- EPA7196A
- EPA3540C
- EPA8270C

### LED Luminaire Performance:

- IESNA LM-79-08
- IESNA LM-80-08
- Switching cycle:100,000x

### LED Light Photometric Standard:

- CIE; TM14; LM-75; IES; LDT; CEN; CIB

### LED Module Standard:

- IEC 62031
- IEC 60838-2-2

### Emergency Standard:

- With CELEX-LED Emergency System
- HKFSD PPA 104A(4th Revision)
- EN 60598-2-22
- BS 6387
- BS EN 60598-2-22
- EN 61347-2-7
- BS EN 60702-2
- BS 5266-1
- BS 6207-3

## Features:

- Recessed mounting type
- Metal casing with anti-static spray treatment
- #6063 aluminum die-casting cover and junction box
- Lamp holder GU10 LED MR16 (4W or 6W)
- Easy maintenance--- "front cover replacement"
- Optional clear glass cover or frosted cover
- Optional 1~10V driver for dimming control
- Optional battery kit for emergency lighting
- Optional DMX driver for DMX512 dimming control

## Applications:

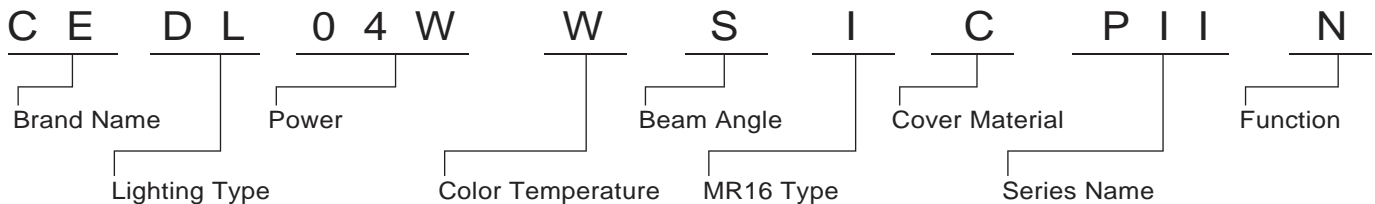
- Home use
- Hotel Lounges
- Restaurants
- Halls and clubs
- Ballrooms



## Specifications:

|                        |   |
|------------------------|---|
| Power                  | 4W / 6W   |
| Input Voltage          | AC 220~240V 50/60Hz                               |
| Beam Angle Of LED MR16 | 15°/24°/36°                                       |
| Lamp holder            | GU10  |
| Operating Temperatures | -20~50°C  |
| Operating Humidity     | 10%~90%RH   |
| Finishing Materials    | Aluminum Cover and Metal Box Optional Glass Cover |
| Body Color             | Matt White  |
| RAL Color Code         | 6016  |

## Ordering Part No.:



| Brand Name   | Lighting Type     | Power | Color Temperature  | Beam Angle                 | MR16 Type                          | Materials Cover  | Series Name        | Function  |
|--------------|-------------------|-------|--|----------------------------|------------------------------------|--|--------------------|---|
| CE:<br>CELEX | DL:<br>Down Light | 04W   | O: 2700K<br>W: 3000K<br>N: 4000K<br>D: 5000K<br>C: 6500K | S: 15°<br>M: 24°<br>L: 36° | I:<br>IVA MR16<br>F:<br>FORMA MR16 | N:<br>No Glass Cover<br>C:<br>Clear Glass Cover<br>F:<br>Frosted Glass Cover | PII: PAX II Series | E: Emergency<br>N: Switching On / Off (AC 220~240V) |
|              |                   | 06W   |  |                            |                                    |  |                    |   |