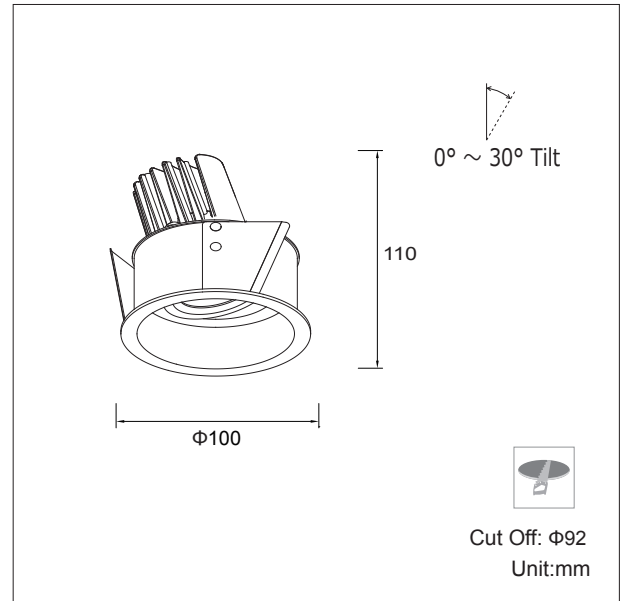
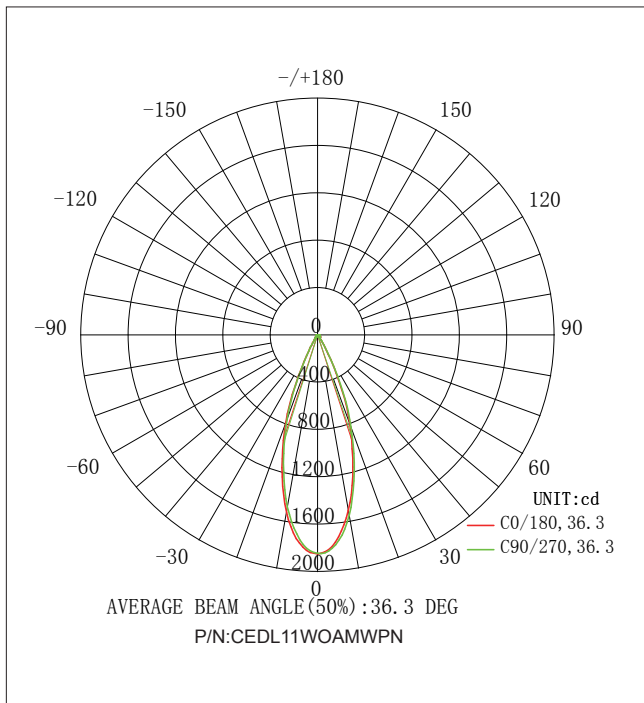




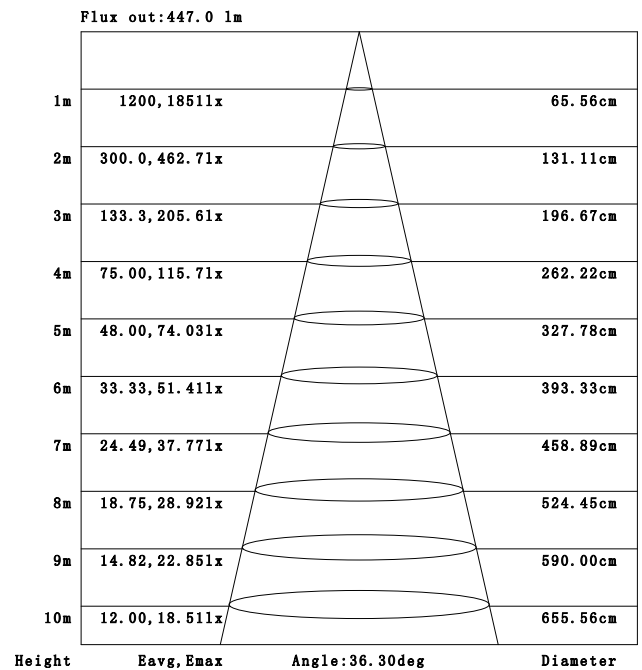
Product Dimensions:



Luminous Intensity Distribution Diagram:



Lux Distribution:



Note: The Curves indicate the illuminated area and the average illumination when the luminaire is at different distance.

Manufacturing Quality Standard:

- ISO 9001:2008
- EN/IEC 60598-1
- EN/IEC 60598-2-1
- EN/IEC 60598-2-2
- EN/IEC 60529
- EN/IEC 62471-2
- IEC 62612
- EN/IEC 60968
- IEC 62560
- EN/IEC 60061-1
- EN 13032-1
- EN 13032-2
- EN/IEC 62471

LED Luminaire Standard:

- EN/IEC 61347-1
- EN/IEC 61347-2-13
- EN/IEC 62384
- EN/IEC 61000-3-2
- IEC 62031
- IEC 60838-2-2
- EN/IEC 61000-3-3
- EN/IEC 61547
- EN 55015(CISPR 15)

Electronic Driver Standard:

- EN/IEC 61347-1
- EN/IEC 61347-2-13
- EN/IEC 62384
- EN/IEC 61000-3-2
- EN/IEC 61000-3-3
- EN/IEC 61547
- EN 55015(CISPR 15)

LED Module Standard:

- IEC 62031
- IEC 60838-2-2

RoHS Standard:

- IEC 62321

LED Luminaire Performance:

- IESNA LM-79-08
- IESNA LM-80-08
- Switching cycle: 100,000x

LED Light Photometric Standard:

- CIE; TM14; LM-75; IES; LDT; CEN; CIB

Emergency Standard:

- With CELEX-LED Emergency System
- HKFSD PPA 104A(4th Revision)
- BS EN 60598-2-22
- EN 61347-2-7
- BS EN 60702-2
- BS 5266-1
- BS 6207-3

Features:

- The heat sink is made of pure aluminum
- Recess mounted type
- Static spray coating surface
- Uniform illumination with special reflector
- High power efficiency (>0.85) and power factor(>0.9)
- Remote-type LED driver

Applications:

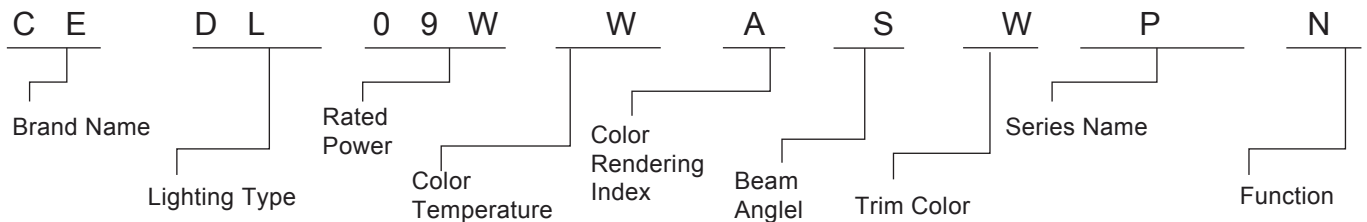
- Home use
- Hotel Lounges
- Restaurants
- Halls and clubs
- Ballrooms



Specifications:

LED Power	7W / 9W / 11W
Rated Power	9W / 11W / 13W
Input Voltage	AC 220~240V 50/60Hz
Beam Angle	24° / 36° / 48°
Power Factor	>0.9
Total Harmonic Distortion	<20%
Color Rendering Index	Ra80 / Ra90
SDCM	3 - Step
Luminaire Efficacy	70lm/w(2700K), 75lm/w(3000K), 80lm/w(4000K), 85lm/w (6500K)
LED Source Efficacy	110lm/w(2700K), 115lm/w (3000K), 120lm/w (4000K), 125lm/w (6500K)
Light Source	LUMINUS COB
Life Time	>35,000 Hours
Operating Temperature	-20°C~50°C
Operating Humidity	10%~90%RH
Cover Diffuser	Toughened glass
Finishing Materials	Aluminum and Toughened glass
Body Color	Matte White / Matte Black
RAL Color Code	RAL 9003 / RAL 9004
Net Weight	300g

Ordering Part No.:



Brand Name	Lighting Type	Rated Power	Color Temperature	Color Rendering Index	Beam Angle	Trim Color	Series Name	Function
CE: CELEX	DL: Down Light	09W 11W 13W	O: 2700K W: 3000K N: 4000K C: 6500K	A:80 Ra B:90 Ra	S: 24° M: 36° L: 48°	W : White B : Black	P : Parrot Series	E:Emergency (2hrs 30%) N:Switch In T:Triac Dimming Leading Edge V: 1-10V Dimming D : DALI Diming