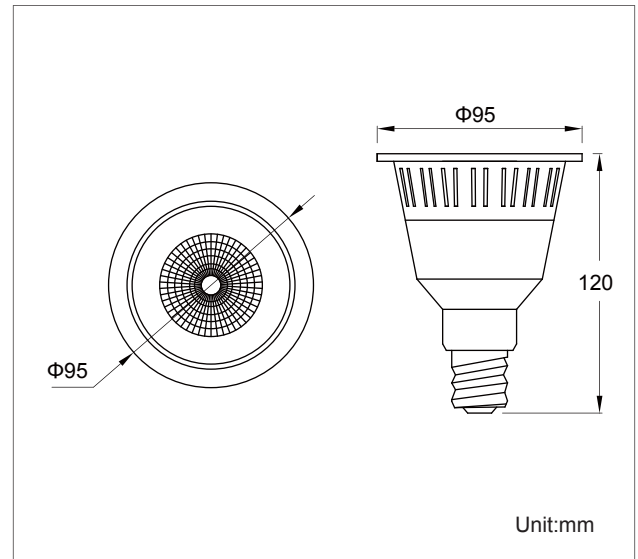
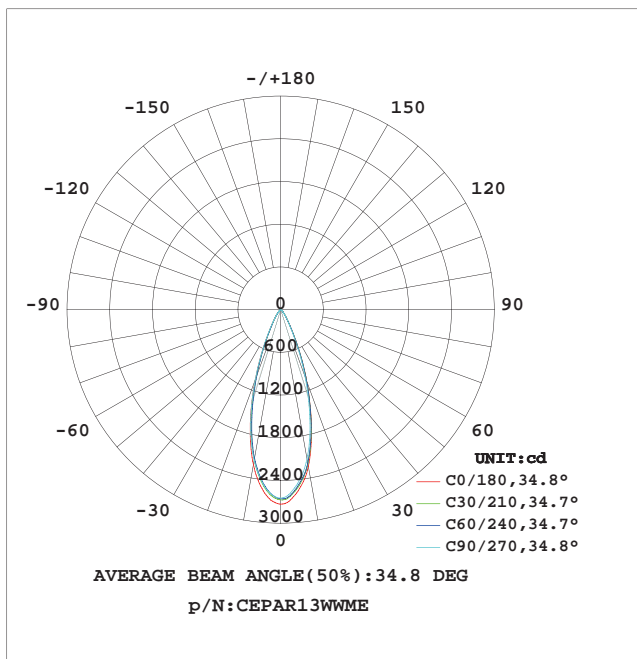




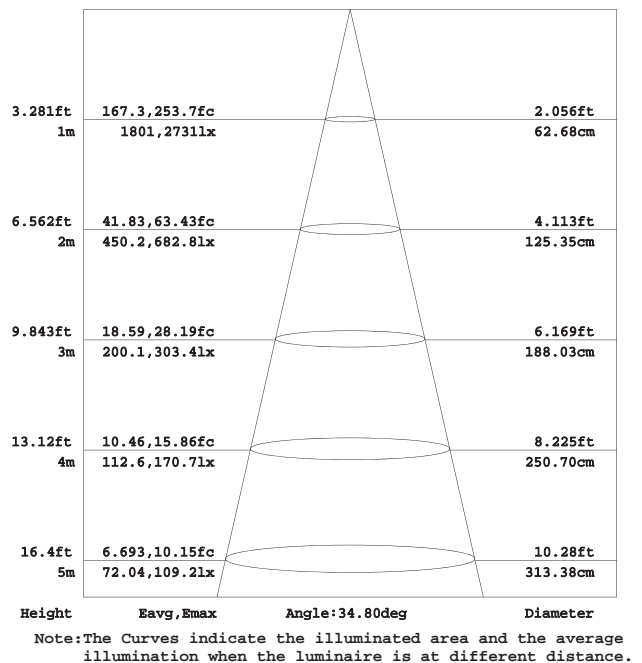
Product Dimensions:



Luminous Intensity Distribution Diagram:



Lux Distribution:



Manufacturing Quality Standard:

- ISO 9001:2008

LED Luminaire Standard:

- EN/IEC 60598-1
- EN/IEC 60598-2-1
- EN/IEC 60598-2-2
- EN/IEC 60529
- EN/IEC 62471-2
- IEC 62612
- EN/IEC 60968
- IEC 62560
- EN/IEC 60061-1
- EN 13032-1
- EN 13032-2
- EN/IEC 62471

Electronic Driver Standard:

- EN/IEC 61347-1
- EN/IEC 61347-2-13
- EN/IEC 62384
- EN/IEC 61000-3-2
- EN/IEC 61000-3-3
- EN/IEC 61547
- EN 55015(CISPR 15)

LED Module Standard:

- IEC 62031
- IEC 60838-2-2

LED Light Photometric Standard:

- CIE; TM14; LM-75; IES; LDT; CEN; CIB

RoHS Standard:

- EPA3050B
- EN 1122
- IEC 62321
- EPA3052
- EPA3060A
- EPA7196A
- EPA3540C
- EPA8270C

LED Luminaire Performance:

- IESNA LM-79-08
- IESNA LM-80-08
- Switching cycle:100,000x

**Features:**

- Anti-glare, halogen effect, up to 80lm/w
- Smooth dimming range from 100% to 10%, and compatible with most of the dimmers, such as JUNG ,ELKO, Schneider, Busch , Clipsal etc.
- Unique heatsink design, maximized for airflow

**Applications:**

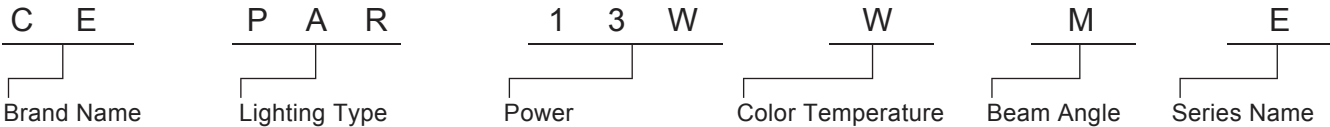
- Home use
- Hotels
- Clubs and social areas
- Ballrooms
- Shops and boutiques



**Specifications:**

Power	13W
Input Voltage	AC 220~240V 50/60Hz
Beam Angle	24° / 38° / 60°
Power Factor	>0.95
Color Rendering Index	80
Dimmable	Yes
Luminaire Efficacy	80lm/w (3000K), 85lm/w (4000K), 90lm/w (5000K)
LED Source Efficacy	100lm/w (3000K), 110lm/w (4000K), 120lm/w (5000K)
LED Source	CREE
Life Time	50,000 Hours
Operating Temperature	-20~50°C
Operating Humidity	10%~90%RH
Finishing Materials	Aluminum and Polycarbonate
Body Color	Grey
RAL Color Code	RAL 9007
Net Weight	280g

**Ordering Part No.:**



Brand Name	Lighting Type	Power	Color Temperature	Beam Angle	Series Name
CE: CELEX	PAR: PAR30	13W	W: 3000K N: 4000K D: 5000K	S: 24° M: 38° L: 60°	E: EMPIRE Series