

Description:

PANORA series LED wall washer light is a outdoor linear fixture available in three dimensions. It has monicolor or RGB LEDs able to be controlled by DMX / 1~10V / leading edge dimming. This product suits perfectly to architectural contour lighting on buildings, ornamental colour washing effects or integration instructors and facades. It's as well a great alternative to urban furniture due to its IP66 protection rating.

Features:

- Comply with DMX-512 (1990)
- Comply with 1~10V and leading edge dimming system
- Anode oxidized 6063 aluminum alloy and 3mm thickness tempered glass housing
- Fired-resistant (UL-94) Ethylene-Propylene-Diene-Monomer* (EPDM) seal gasket
- Integrated fired-resistant (V0) IP67 U.S.A 7 Pin connectors
- Multiple optical fire-resistant (UL94) PMMA lens to distribute narrow, widely and asymmetric beam angles
- Optional AC input, built-in IP67 class II meanwell LED driver complied with UL, CSA, TUV and EMC standard
- Adjustable bracket - rotation 150°

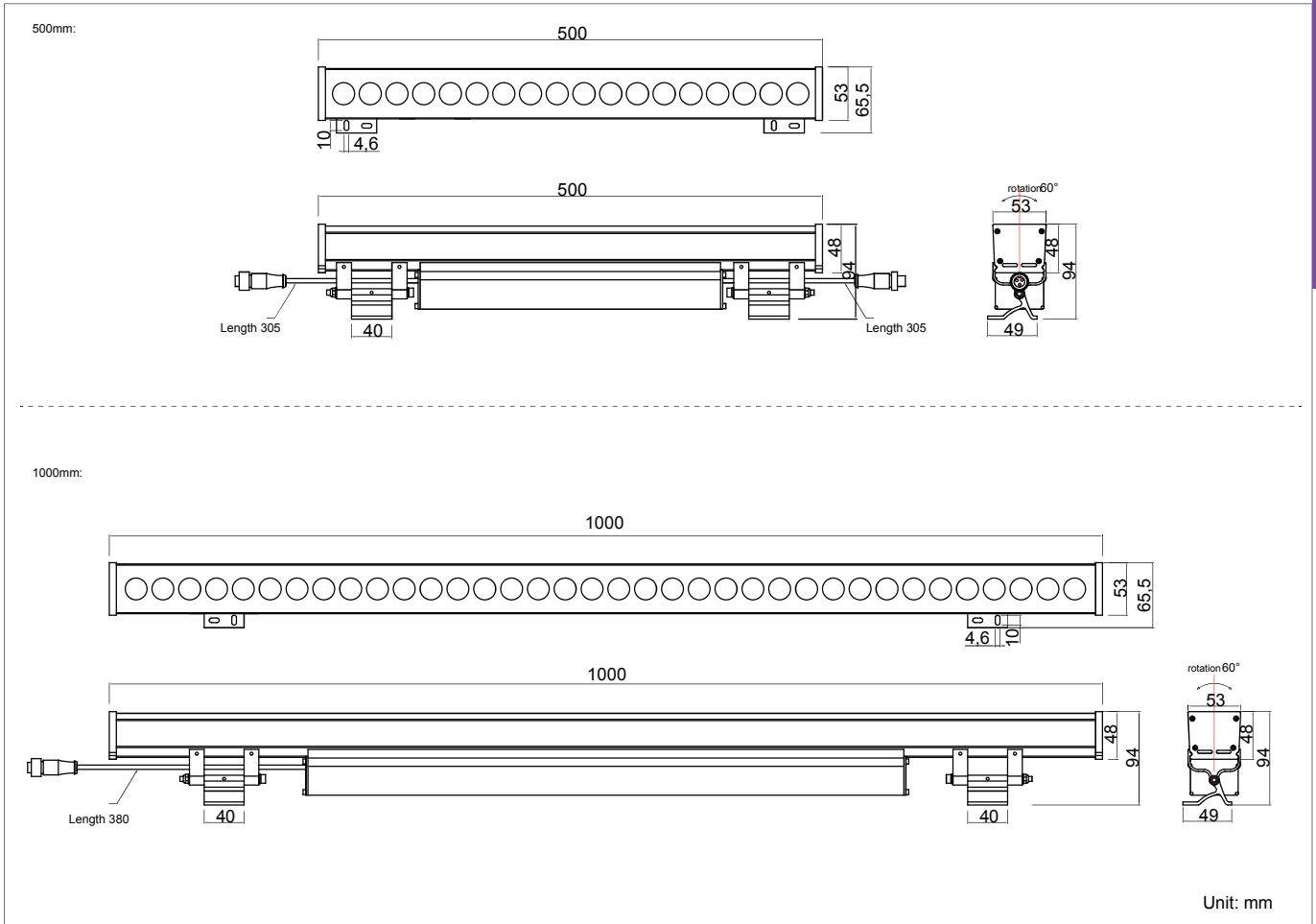
Applications:

- Outdoor plaza
- The house of contours
- Bridges
- Landscape lighting

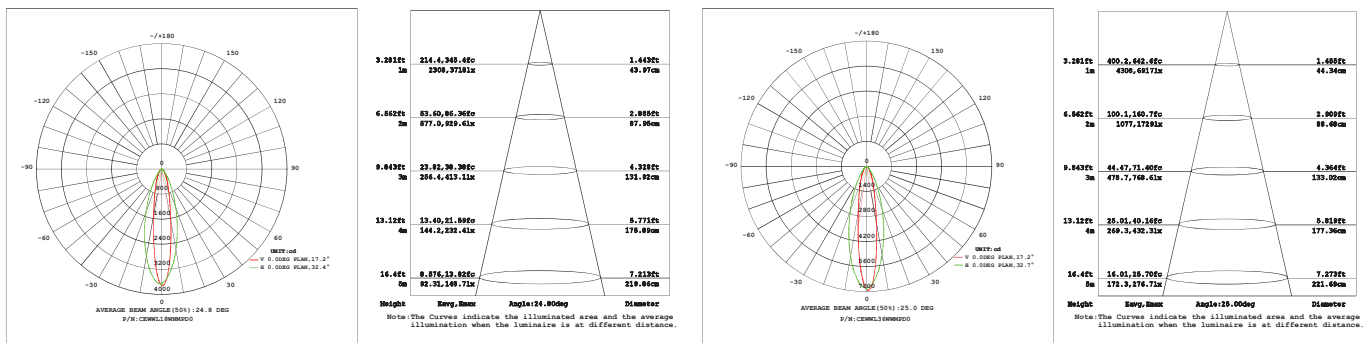
PANORA Series



Product Dimensions:



Luminous Intensity Distribution Diagram & Lux Distribution:



Manufacturing Quality Standard:

- ISO 9001:2008

LED Luminaire Standard:

- EN/IEC 60598-1
- EN/IEC 60598-2-1
- EN/IEC 60598-2-2
- EN/IEC 60529
- EN/IEC 62471-2
- IEC 62612
- EN/IEC 60968
- IEC 62560
- EN/IEC 60061-1
- EN 13032-1
- EN 13032-2
- EN/IEC 62471
- EN/IEC 60825
- EN 60061-1

Electronic Driver Standard:

- EN/IEC 61347-1
- EN/IEC 61347-2-13
- EN/IEC 62384
- EN/IEC 61000-3-2
- EN/IEC 61000-3-3
- EN/IEC 61547
- EN 55015(CISPR 15)

LED Module Standard:

- IEC 62031
- IEC 60838-2-2

LED Light Photometric Standard:

- CIE; TM14; LM-75; IES; LDT; CEN; CIB

RoHS Standard:

- EPA3050B
- EN 1122B
- IEC 62321
- EPA3052
- EPA3060A
- EPA7196A
- EPA3540C
- EPA8270D

LED Luminaire Performance:

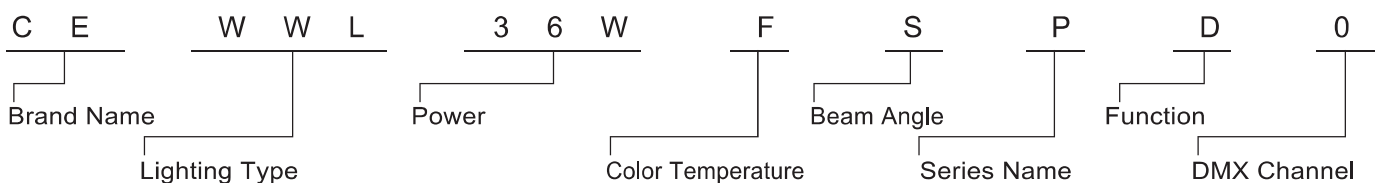
- LM-80-08
- Switching cycle:100,000x

LED Wall Washer Light PANORA Series

Specifications:

Power	18W	36W
Size (Length)	500mm	1000mm
Qty of LEDs	18PCS	36PCS
Net Weight	1.5kg	2.62kg
Input Voltage	DC 24V or AC 90~264V 47~63Hz	
Control Protocol(optional)	DMX 512 / 1~10V / Triac Dimming Leading Edge	
DMX Channel per Luminaire	1 Channel (Mono Color) / 3 Channels (RGB) / 4 Channels (RGBW)	
Beam Angle	Symmetric Lens: 8° / 25° / 30° / 45° / 60° / 10°x30° / 10°x40° / 10°x50° / 10°x60° / 15°x40° / 30°x60°	
Color Rendering Index	85@2700K / 85@3000K / 85@3500K / 85@4000K / 80@5000K / 75@6500K	
Luminaire Efficacy	*50lm/w(2700K), *55lm/w(3000K), *60lm/w(3500K), *65lm/w(4000K), *80lm/w(5000K), *90lm/w(6500K),	*20lm/w(RGB), *10lm/w(Blue 450~160nm), *50lm/w(Red 620~630nm), *65lm/w(Green 520~530nm), *30lm/w(Yellow 589~595nm)
LED Source Efficacy	*90lm/w(2700K), *95lm/w(3000K), *100lm/w(3500K), *110lm/w(4000K), *115lm/w(5000K), *120lm/w (6500K)	*35lm/w(RGB), *20lm/w(Blue 450~460nm), *70lm/w(Red 620~630nm), *80lm/w(Green 520~530nm), *50lm/w(Yellow 589~595nm)
LED Source	CREE	
Life Time	50,000 Hours at Ta=40°C	
Operating Temperature	-20°C~70°C	
Operating Humidity	10%~90%RH	
Finishing Materials	Aluminum and Tempered Glass	
Body Color	Sliver / Matte Black / Matte Grey / Tailor-made	
RAL Color Code	9006 / 9017 / 7042 /	

Ordering Part No.:

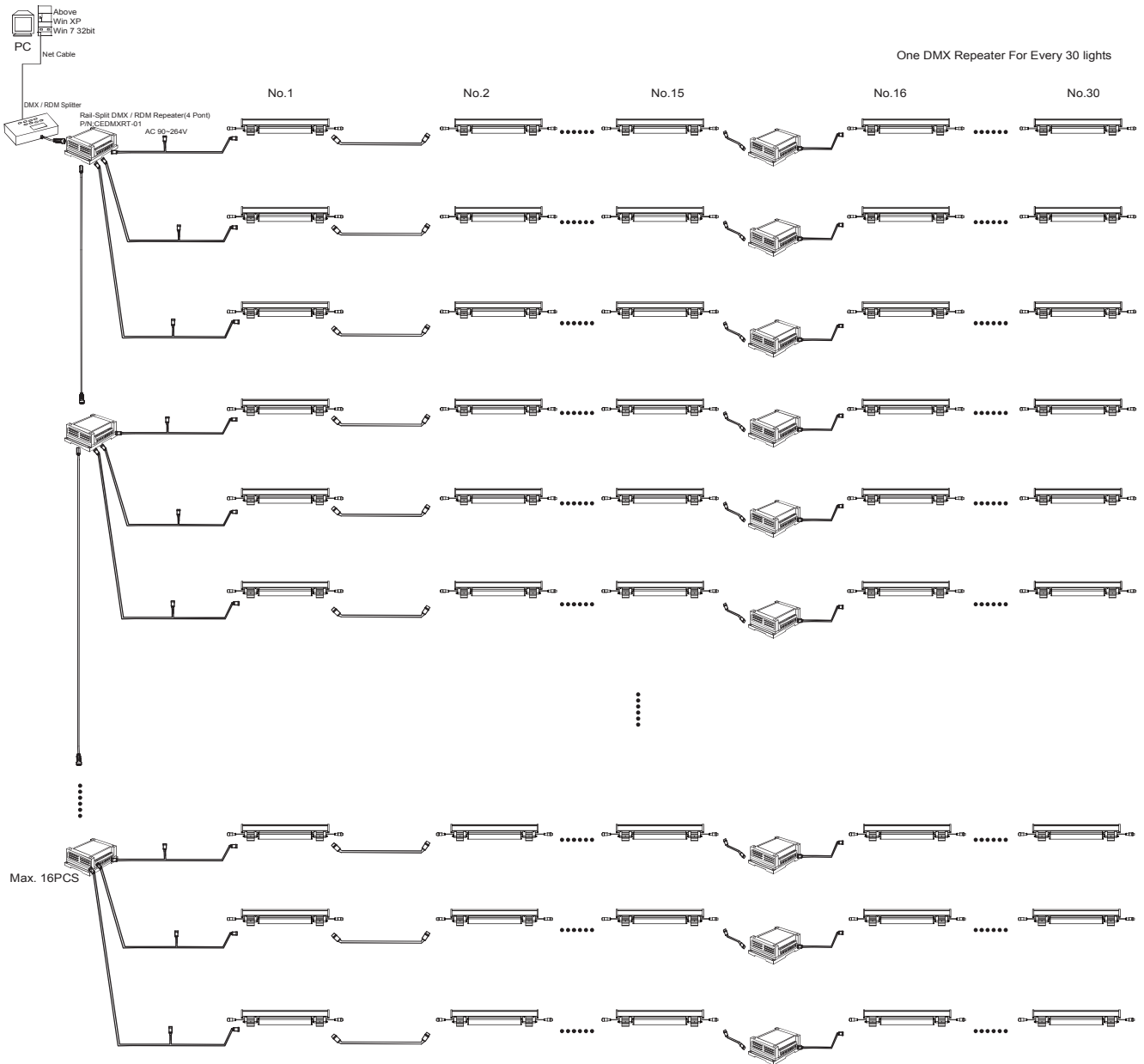


Brand Name	Lighting Type	Power	Color Temperature	Beam Angle	Series Name	Function	DMX Channel
CE: CELEX	WWL: Wall Washer Light	18W 36W	O:2700K W:3000K E:3500K N:4000K D:5000K C:6500K R:Red(620~630nm) G:Green(520~530nm) B:Blue(450~460nm) Y:Yellow(590~595nm) F:Full Color(RGB)	S:8° M:25° L:30° W:45° X:60° SL:10°x30° SW:10°x40° ML:10°x50° SX:10°x60° MW:15°x40° LX:30°x60°	P: PANORA Series	D: DMX512 +DC 24V E: DMX512 +AC 90~264V L: DC 24V N: AC 220V J: AC 110V T: Triac Dimming Leading Edge V: 1~10V Dimming +DC 24V	0 1 3 4

LED Wall Washer Light PANORA Series



Wiring Diagram for DMX / RDM:



LED Wall Washer Light PANORA Series

Accessories:



DMX Repeater
P/N: CEDMXRT-01



DMX Encoder
P/N: CEENCORDER-02



M21 7core signal whilding
extension wire-600mm
P/N: CECEM21-7C-600



Resistor 120 ohm Terminator