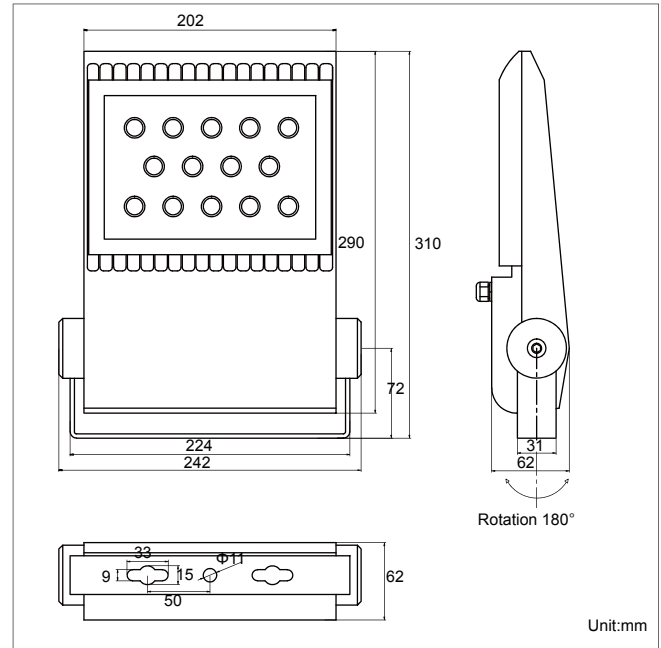
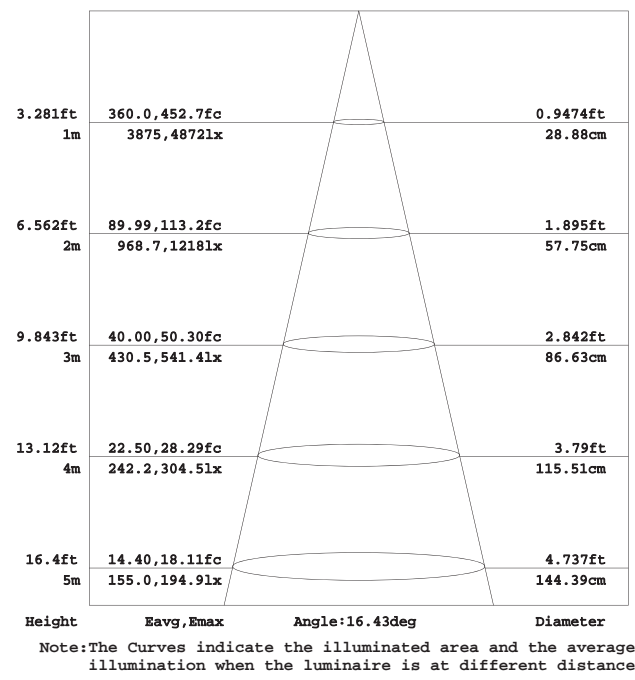
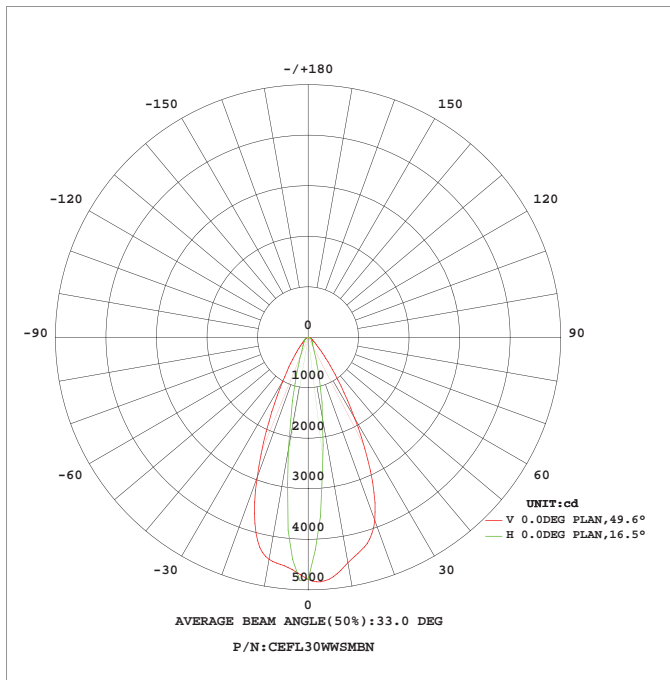




Product Dimensions:



Luminous Intensity Distribution Diagram & Lux Distribution:



Manufacturing Quality Standard:

- ISO 9001:2008

LED Luminaire Standard:

- EN/IEC 60598-1
- EN/IEC 60598-2-1
- EN/IEC 60598-2-2
- EN/IEC 60529
- EN/IEC 62471-2
- IEC 62612
- EN/IEC 60968
- IEC 62560
- EN/IEC 60061-1
- EN 13032-1
- EN 13032-2
- EN/IEC 62471

Electronic Driver Standard:

- EN/IEC 61347-1
- EN/IEC 61347-2-13
- EN/IEC 62384
- EN/IEC 61000-3-2
- EN/IEC 61000-3-3
- EN/IEC 61547
- EN 55015(CISPR 15)

LED Module Standard:

- IEC 62031
- IEC 60838-2-2

LED Light Photometric Standard:

- CIE; TM14; LM-75; IES; LDT; CEN; CIB

RoHS Standard:

- EPA3050B
- EN 1122
- IEC 62321
- EPA3052
- EPA3060A
- EPA7196A
- EPA3540C
- EPA8270C

LED Luminaire Performance:

- IESNA LM-79-08
- IESNA LM-80-08
- Switching cycle: 100,000x

Features:

- High pressure die-casting aluminum housing with tempered glass
- High Power efficiency (>0.85) and power factor(>0.9)
- Adjustable bracket for adjusting light distribution
- Excellent water proof design
- Optional 1~10V driver for dimming control
- Optional Battery kit for emergency lighting

Applications:

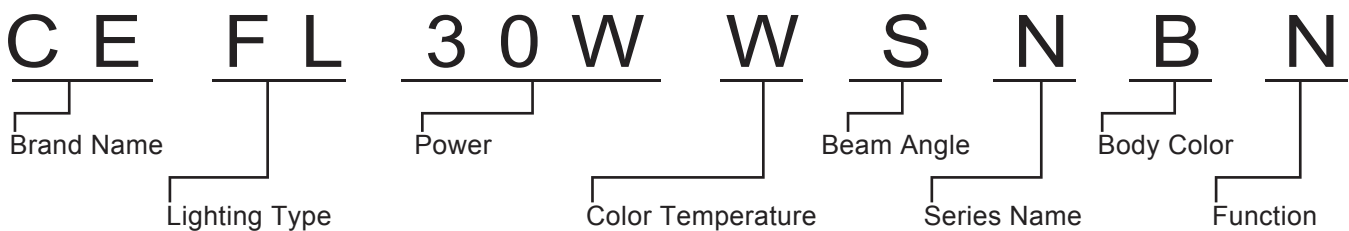
- Billboard and decorative lighting
- Outline of buildings
- Walls
- Bridges



Specifications:

Power	30W / 60W
Input Voltage	AC 220~240V or AC 85~264V 50/60Hz
Beam Angle	V30°/ H17° or V50°/ H17°
Color Rendering Index	80
Housing Materials	Aluminum and Polycarbonate
Luminaire Efficacy	* 60lm/w (2700K), * 65lm/w (3000K), * 72lm/w (4000K), * 78lm/w (5000K), * 80lm/w (6500K)
LED Source Efficacy	* 95lm/w (2700K), * 100lm/w (3000K), * 110lm/w (4000K), * 115lm/w (5000K), * 120lm/w (6500K)
Operating Temperature	-20~50°C
LED Source	Cree
Life Time	50,000 Hours at Ta=40°C
Operating Humidity	10%~90%RH
Finishing Materials	Aluminum and Tempered Glass
Body Color	Matt Black / Matt White
RAL Color Code	9005 / 6016
Net Weight	3.3kg

Ordering Part No.:



Brand Name	Lighting Type	Power	Color Temperature	Beam Angle	Series Name	Body Color	Function
CE:CELEX	FL:Flood Light	30W 60W	O: 2700K W: 3000K N: 4000K D: 5000K C: 6500K	S:V30°/ H17° M:V50°/ H17°	N:NORDBY	B:Matt Black W:Matt White	E:Emergency N:Switch In (AC 220~240V) M:Switch In (AC 85~264V) V:1~10V Dimming