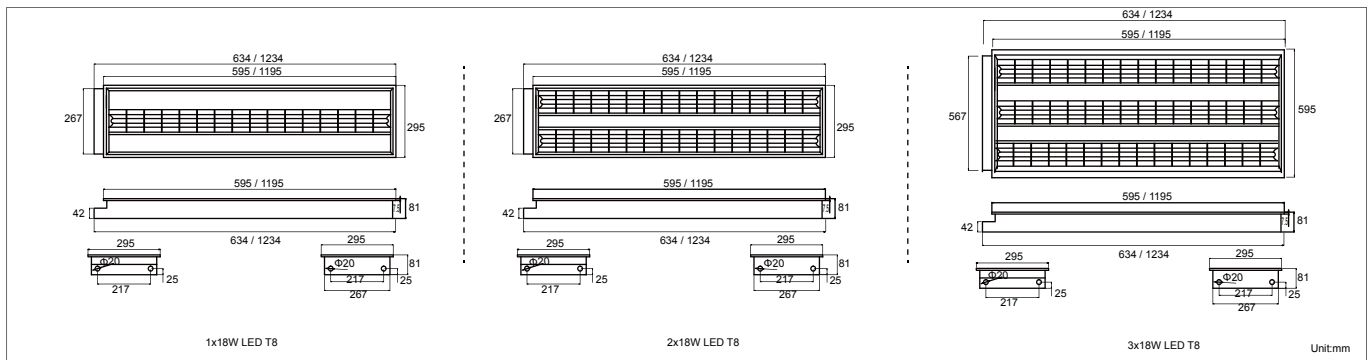
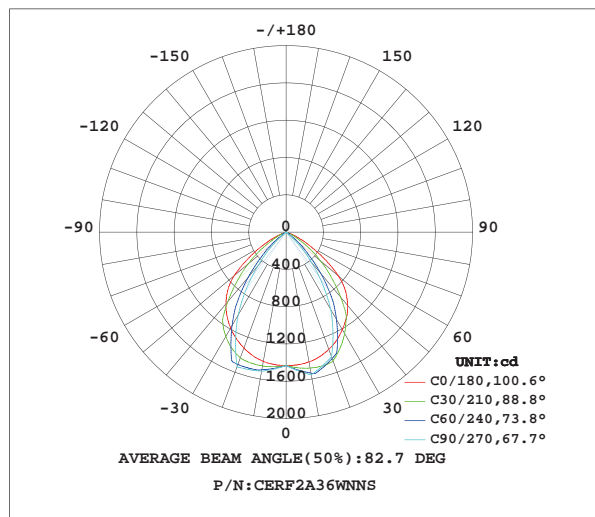




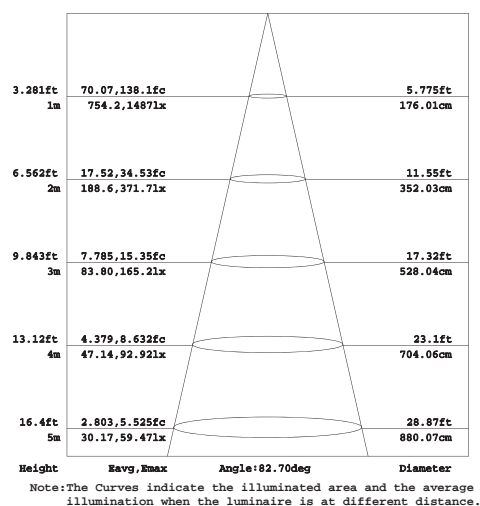
Product Dimensions:



Luminous Intensity Distribution Diagram:



Lux Distribution:



Manufacturing Quality Standard:

- ISO 9001:2008

LED Luminaire Standard:

- EN/IEC 60598-1
- EN/IEC 60598-2-1
- EN/IEC 60598-2-2
- EN/IEC 60529
- EN/IEC 62471-2
- IEC 62612
- EN/IEC 60968
- IEC 62560
- EN/IEC 60061-1
- EN 13032-1
- EN 13032-2
- EN/IEC 62471

LED Module Standard:

- IEC 62031
- IEC 60838-2-2

Electronic Driver Standard:

- EN/IEC 61347-1
- EN/IEC 61347-2-13
- EN/IEC 62384
- EN/IEC 61000-3-2
- EN/IEC 61000-3-3
- EN/IEC 61547
- EN 55015(CISPR 15)

LED Light Photometric Standard:

- CIE; TM14; LM-75; IES; LDT; CEN; CIB

RoHS Standard:

- EPA3050B
- EN 1122
- IEC 62321
- EPA3052
- EPA3060A
- EPA7196A
- EPA3540C
- EPA8270C

LED Luminaire Performance:

- LM-80-08
- Switching cycle: 100,000x

Features:

- 18W can replace 1x36~40W fluorescent T8 recessed fixture
- 36W can replace 2x36~40W fluorescent T8 recessed fixture
- White powder coated sheet, steel body
- High quality reflective aluminum louver with stove enameled steel and low gloss finish
- Double parabolic, cut-off angle of 65 deg and 100 deg from downward vertical
- Built-in LED T8 Light source and easily maintenance
- Super bright coating reflector increase lumen output
- Built-in high power factor (>0.95) and power efficiency(0.85)
- Optional battery kit for emergency lighting
- Optional 1~10V dimming driver

Applications:

- Industrial lighting
- Indoor office lighting
- Factory and car park
- Commercial corridor
- School



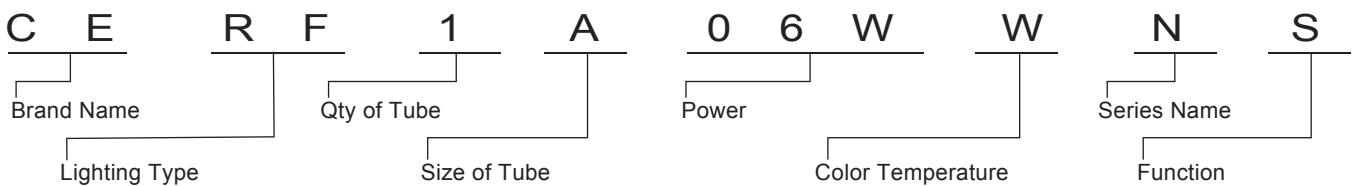
LED T8 Specifications:

Tube Type	T8
Beam Angle	120°
Color Rendering Index	80
Luminaire Efficacy	90lm/w(3000K), 95lm/w(4000K), 100lm/w(6500K)
IP Rate	IP20
Housing Materials	Aluminum and Polycarbonate

Emergency Specifications:

Power Factor <small>(No Emergency LED Light Module)</small>	>0.9
Light Source	SMD
Recharge Time	<12 Hours
Discharge Time	>2,3,4 Hours Adjustable
Discharge Protection	Electronic Protection
Input Voltage	AC 220~240V 50/60Hz
Battery	9.6V 0.8AH~4.0AH Ni-MH Rechargeable Battery (RoHS)
Emergency Output Power	10%~100% Adjustable
Emergency Lumen Output	10%~100% Adjustable
Transfer Time	<3.0 Second
Test Button	In AC mode, push and hold the button to test the emergency mode, release to normal
Operating Temperature	-20~ 50°C
Housing Materials	Metal with powder coating
Operating Humidity	0~95%

Ordering Part No.:



Brand Name	Lighting Type	Qty of Tube	Size of Tube	Power	Color Temperature	Series Name	Function
CE: CELEX	RF: Recessed Fixture	1 2 3	A:2Ft B:3Ft C:4Ft D:5Ft	6W 22W 7W 23W 8W 24W 9W 25W 10W 26W 11W 27W 12W 28W 13W 29W 14W 30W 15W 31W 16W 32W 17W 33W 18W 34W 19W 35W 20W 36W 21W	W: 3000K N: 4000K C: 6500K	N: NEWAY Series	S: Switch In E: Emergency V: 1~10V Dimming