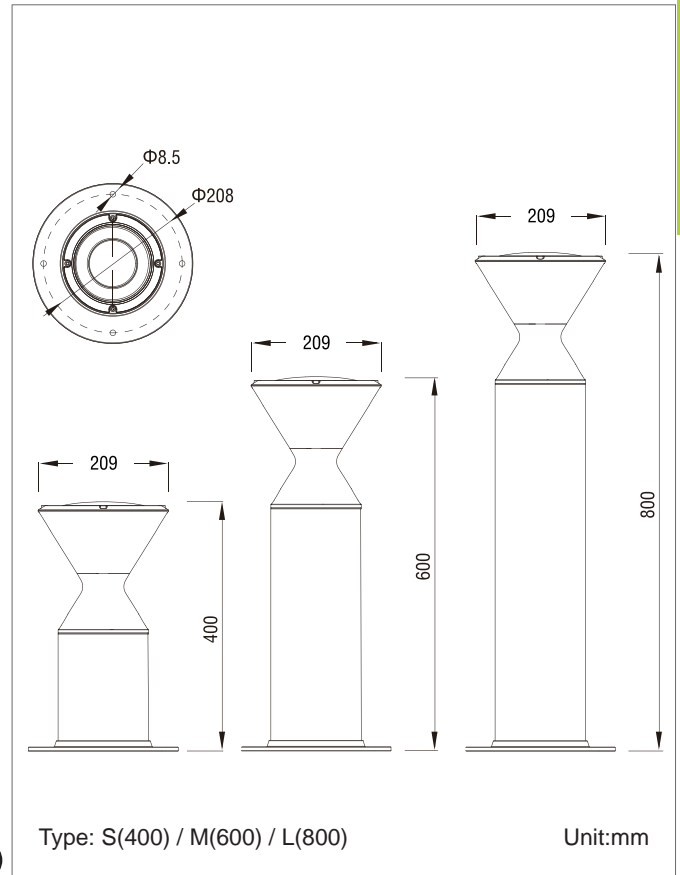
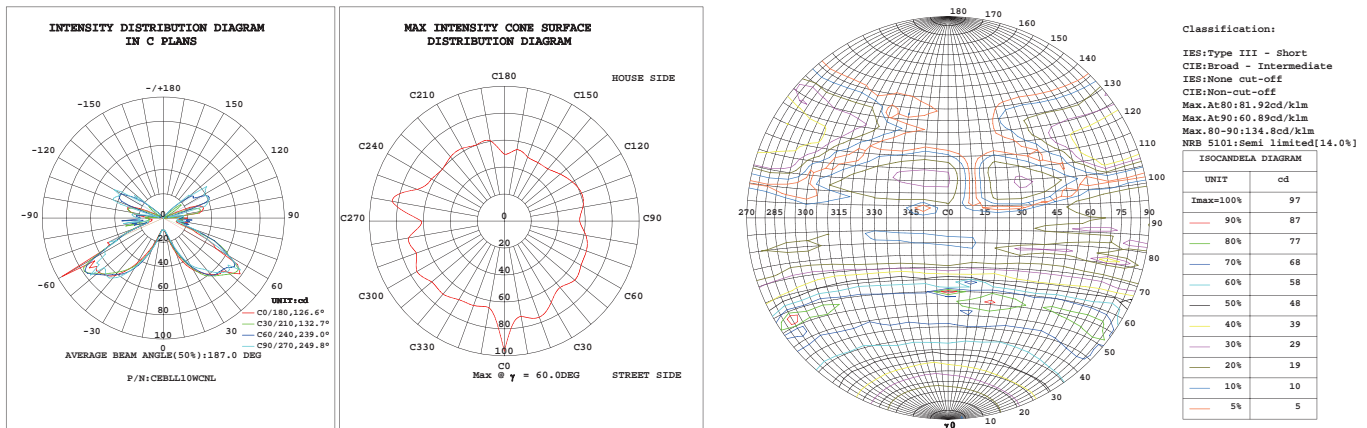


Product Dimensions:



Luminous Intensity Distribution Diagram:



Manufacturing Quality Standard:

- ISO 9001:2008

LED Luminaire Standard:

- EN/IEC 60598-1
- EN/IEC 60598-2-1
- EN/IEC 60598-2-2
- EN/IEC 60529
- EN/IEC 62471-2
- IEC 62612
- EN/IEC 60968
- IEC 62560
- EN/IEC 60061-1
- EN 13032-1
- EN 13032-2
- EN/IEC 62471
- EN/IEC 60825
- EN 60061-1

Electronic Driver Standard:

- EN/IEC 61347-1
- EN/IEC 61347-2-13
- EN/IEC 62384
- EN/IEC 61000-3-2
- EN/IEC 61000-3-3
- EN/IEC 61547
- EN 55015(CISPR 15)

LED Module Standard:

- IEC 62031
- IEC 60838-2-2

LED Light Photometric Standard:

- CIE; TM14; LM-75; IES; LDT; CEN; CIB

RoHS Standard:

- EPA3050B
- EN 1122B
- IEC 62321
- EPA3052
- EPA3060A
- EPA7196A
- EPA3540C
- EPA8270D

LED Luminaire Performance:

- LM-80-08
- Switching cycle:100,000x



Features:

- The body adopts both alloy aluminum and high-pressed die-casting materials, with surface anti-aging and antistatic spray treatment
- The diffuser is made of prominent polycarbonate materials with good aging and ultra-violet resistance performance.
- The protection grade can reach IP65, superior than traditional lawn lights
- Uses high-power CREE / OSRAM LEDs.
- Build-in constant current LED driver

Applications:

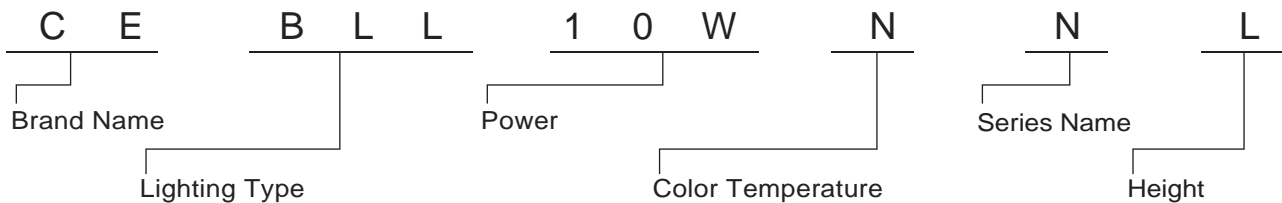
- Lawn,
- Garden,
- Square,
- Residential area
- Park



Specifications:

Power	10W
Input Voltage	AC 100~240V 50/60Hz
Power Factor	>0.9
Total Harmonic Distortion	20%
Beam Angle	187°
Color Rendering Index	80
Luminaire Efficacy	* 50lm/w (3000K), * 60lm/w (4000K), * 70lm/w (5000K), * 80lm/w (6500K)
LED Source Efficacy	* 100lm/w (3000K), * 110lm/w (4000K), * 120lm/w (5000K), * 125lm/w (6500K)
LED Source	CREE / OSRAM
Life Time	50,000 Hours
Operating Temperature	-20~50°C
Operating Humidity	0~95%RH
Finishing Materials	Aluminum and Polycarbonate
Body Color	Silver Black
Net Weight	1.4g(Type S) / 2.2g(Type M) / 3g(Type L)

Ordering Part No.:



Brand Name	Lighting Type	Power	Color Temperature	Series Name	Height
CE: CELEX	BLL: Bollard Light	10W	W: 3000K N: 4000K D: 5000K C: 6500K	N: NEVADA Series	S: 400mm M: 600mm L: 800mm