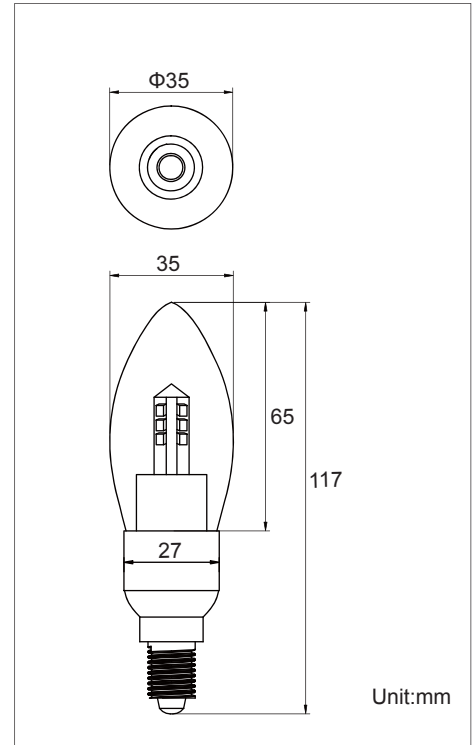
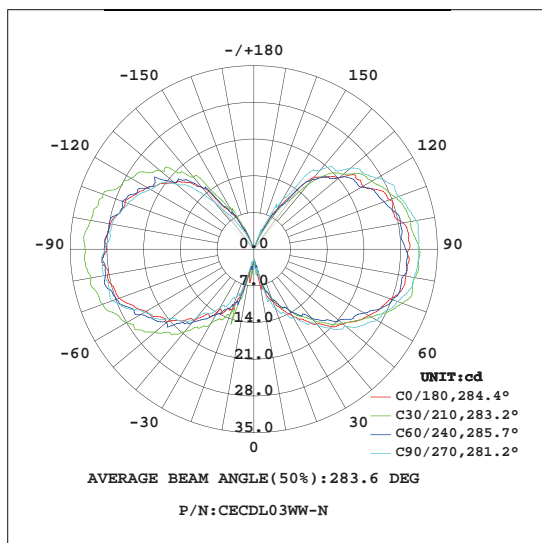


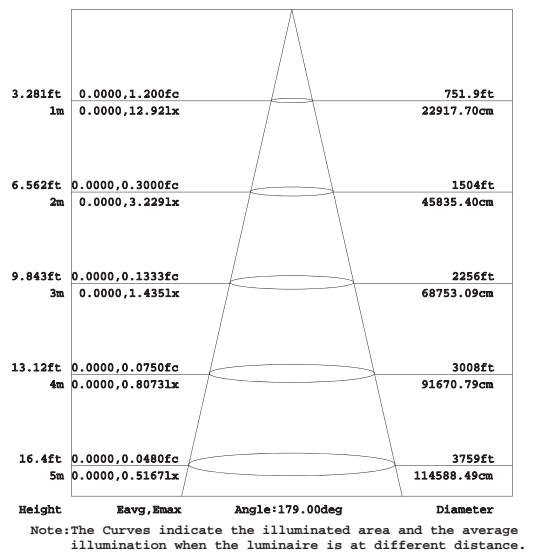
**Product Dimensions:**



**Luminous Intensity Distribution Diagram:**



**Lux Distribution:**



**Manufacturing Quality Standard:**

- ISO 9001:2008

**LED Luminaire Standard:**

- EN/IEC 60598-1
- EN/IEC 60598-2-1
- EN/IEC 60598-2-2
- EN/IEC 60529
- EN/IEC 62471-2
- IEC 62612
- EN/IEC 60968
- IEC 62560
- EN/IEC 60061-1
- EN 13032-1
- EN 13032-2
- EN/IEC 62471
- EN/IEC 60825
- EN 60061-1

**Electronic Driver Standard:**

- EN/IEC 61347-1
- EN/IEC 61347-2-13
- EN/IEC 62384
- EN/IEC 61000-3-2
- EN/IEC 61000-3-3
- EN/IEC 61547
- EN 55015(CISPR 15)

**LED Module Standard:**

- IEC 62031
- IEC 60838-2-2

**RoHS Standard:**

- EPA3050B
- EN 1122B
- IEC 62321
- EPA3052
- EPA3060A
- EPA7196A
- EPA3540C
- EPA8270D

**LED Luminaire Performance:**

- Switching cycle:100,000x

**LED Light Photometric Standard:**

- CIE; TM14; LM-75; IES; LDT; CEN; CIB

## Features:

- Can replace 40W tungsten bulb
- Can replace 8W compact fluorescent lamp
- Polycarbonate milky diffuser for UGR standard
- High pressure die-casting aluminum housing
- Excellent cooling system
- UV and IR Free

## Applications:

- Home Lighting
- Shopping Mall Lighting
- Down Light



## Specifications:

Part No	CCT (K)	Beam Angle	Color Rendering Index	Beam Intensity (cd)	Luminaire Luminous (lm)	Socket	Power (W)	Dimmable
CECDL03WW-N	3000	280°	80	50	250	E14	3	Yes
CECDL03WN-N	4000	280°	80	55	270	E14	3	Yes
CECDL03WC-N	6500	280°	80	60	290	E14	3	Yes

## General And Electrical Characteristics:

- Input Voltage: AC 220~240V 50/60Hz
- Operating Temperature: -20°C ~ 50°C
- Life Time: 50,000 Hours (Ta=25°C)
- Housing Materials: Aluminum / Polycarbonate
- Body Color: Silver / White
- LED Type: SMD
- Net Weight: 36g

