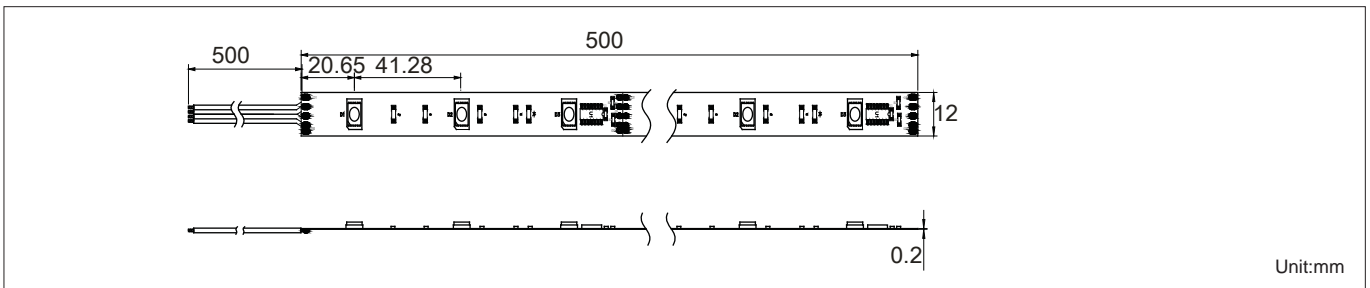
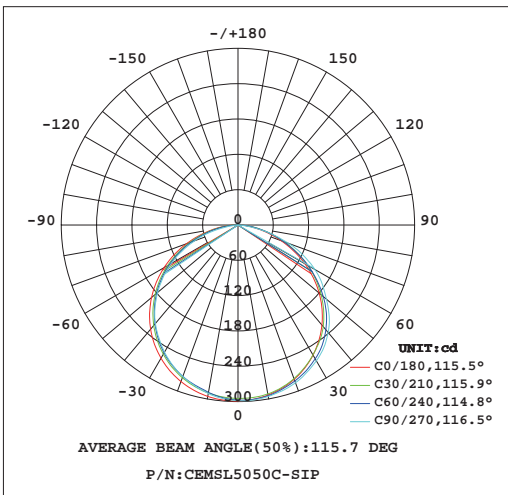




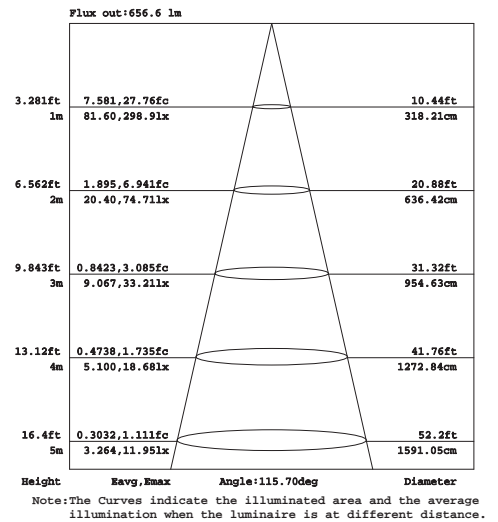
**Product Dimensions:**



**Luminous Intensity Distribution Diagram:**



**Lux Distribution:**



**Manufacturing Quality Standard:**

- ISO 9001:2008

**LED Luminaire Standard:**

- EN/IEC 60598-1
- EN/IEC 60598-2-1
- EN/IEC 60598-2-2
- EN/IEC 60529
- EN/IEC 62471-2
- IEC 62612
- EN/IEC 60968
- IEC 62560
- EN/IEC 60061-1
- EN 13032-1
- EN 13032-2
- EN/IEC 62471
- EN/IEC 60825
- EN 60061-1

**Electronic Driver Standard:**

- EN/IEC 61347-1
- EN/IEC 61347-2-13
- EN/IEC 62384
- EN/IEC 61000-3-2
- EN/IEC 61000-3-3
- EN/IEC 61547
- EN 55015(CISPR 15)

**LED Module Standard:**

- IEC 62031
- IEC 60838-2-2

**RoHS Standard:**

- EPA3050B
- EN 1122B
- IEC 62321
- EPA3052
- EPA3060A
- EPA7196A
- EPA3540C
- EPA8270D

**LED Luminaire Performance:**

- Switching cycle:100,000x

**LED Light Photometric Standard:**

- CIE; TM14; LM-75; IES; LDT; CEN; CIB

**Features:**

- Life of LED:50,000 hours
- UV and IR free
- Excellent cooling system
- Green and eco-friendly without mercury
- Energy-saving

**Applications:**

- Entertainment
- News conference venues
- Shops, shopping malls



**Specifications:**

Part No	Color	LED Q'ty	Power Conx.	Flux/m	Flux/Roll	View Angle	Size
CEMSL5050W-SIP	2800±200K	24PCS/M	24W/Roll	360lm	1250±50lm	140°±5°	5m/Roll
CEMSL5050N-SIP	4000±200K	24PCS/M	24W/Roll	385m	1325±50lm	140°±5°	5m/Roll
CEMSL5050C-SIP	6000±200K	24PCS/M	24W/Roll	400lm	1425±50lm	140°±5°	5m/Roll
CEMSL5050R-SIP	Red (620-630nm)	24PCS/M	24W/Roll	75lm	375±30lm	140°±5°	5m/Roll
CEMSL5050Y-SIP	Yellow (584-595nm)	24PCS/M	24W/Roll	100lm	500±30lm	140°±5°	5m/Roll
CEMSL5050G-SIP	Green (512-530nm)	24PCS/M	24W/Roll	75lm	375±30lm	140°±5°	5m/Roll
CEMSL5050B-SIP	Blue (460-475nm)	24PCS/M	24W/Roll	75m	375±30lm	140°±5°	5m/Roll
CEMSL5050RGB-SIP	RGB	24PCS/M	24W/Roll	120lm	600±30lm	140°±5°	5m/Roll

**Products Characteristic:**

- Input Voltage: DC 12V
- Operating Temperature: -20°C ~ 50°C
- Humidity: 0~95%
- Color:Colorful
- LED Life: 50,000 hours (Ta=20°C)
- Materials:Gu & Silica Gel Cover
- LED Type: SMD5050
- Dimension:5000\*12\*0.2mm



**Electric parameter**

Driving method Constant Voltage DC12V

**Wires & Series connection length**

Wires Input end connect Four-core RW R/G/B&Black wire

Stand length in serial connection 5M

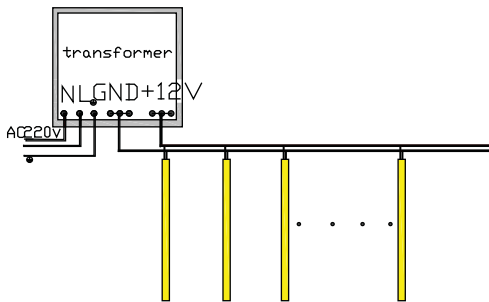
Maximum length in serial connection 5M

**Fixed mode**

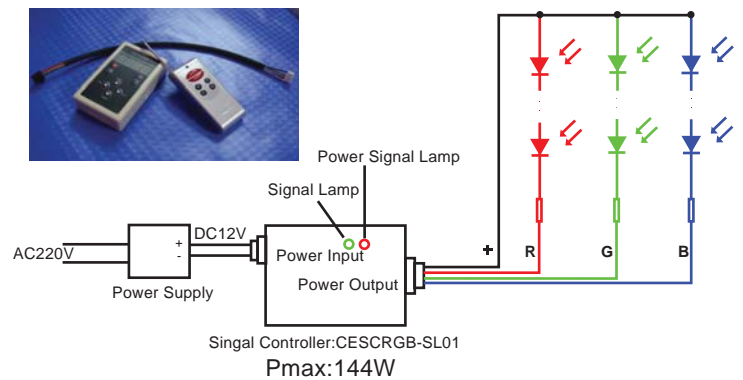
Screw

Double-sided adhesive 5000\*10mm,3M double side adhesive tape

**Power Connection Method**



**RGB Control System**



**Fixed mode**

Screw

Double-sided adhesive 5000\*12mm,3M double side adhesive tape

