

Description:

MYSA series LED wall washer light is a outdoor linear fixture available in four dimensions: 1ft , 2ft, 3ft and 4ft . It has monochrome or RGB LEDs able to be controlled by DMX / RDM / 1~10V / leading edge dimming. This product suits perfectly to architectural contour lighting on buildings, ornamental colour washing effects or integration instructors and facades. It's as well a great alternative to urban furniture due to its IP66 protection rating.

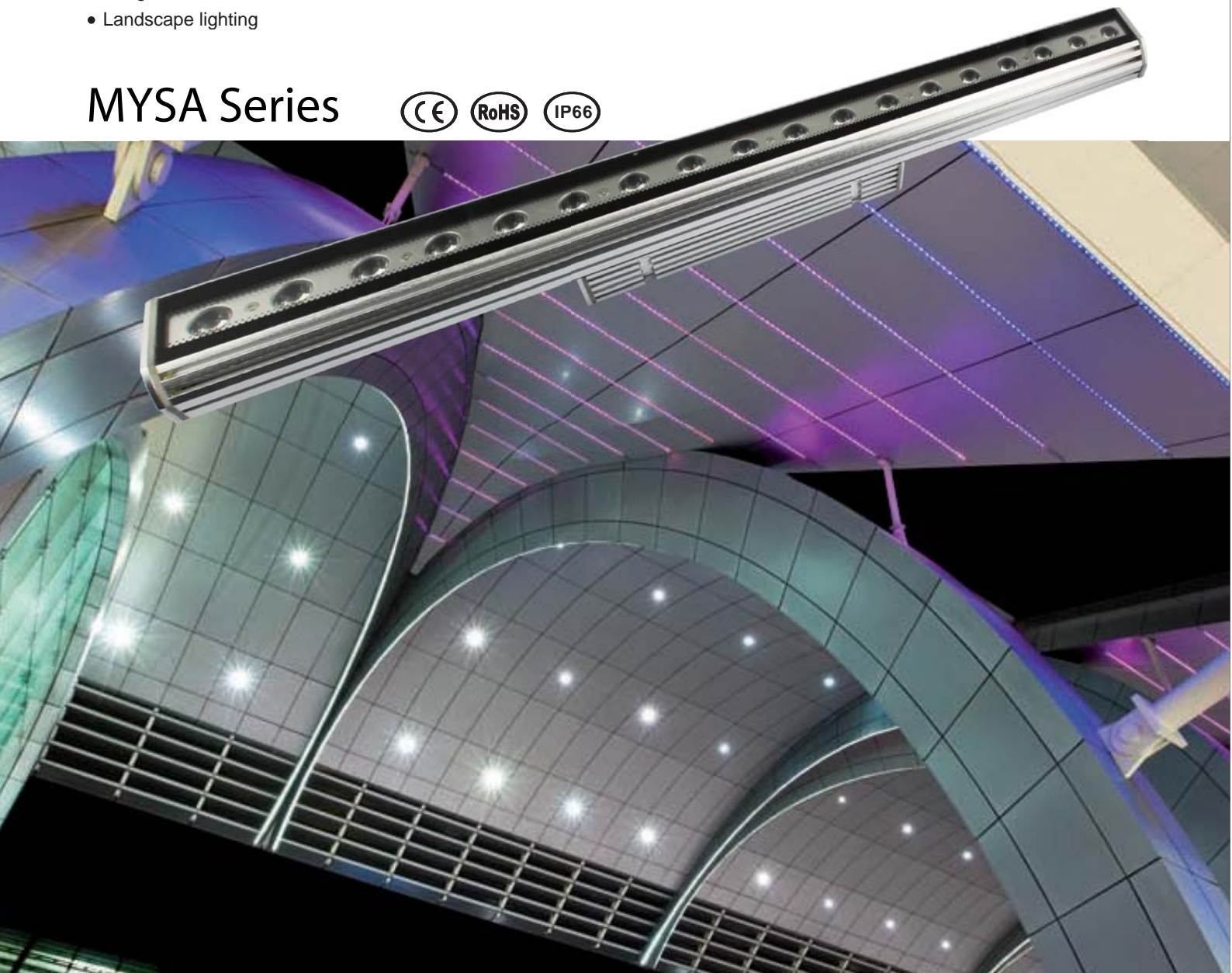
Features:

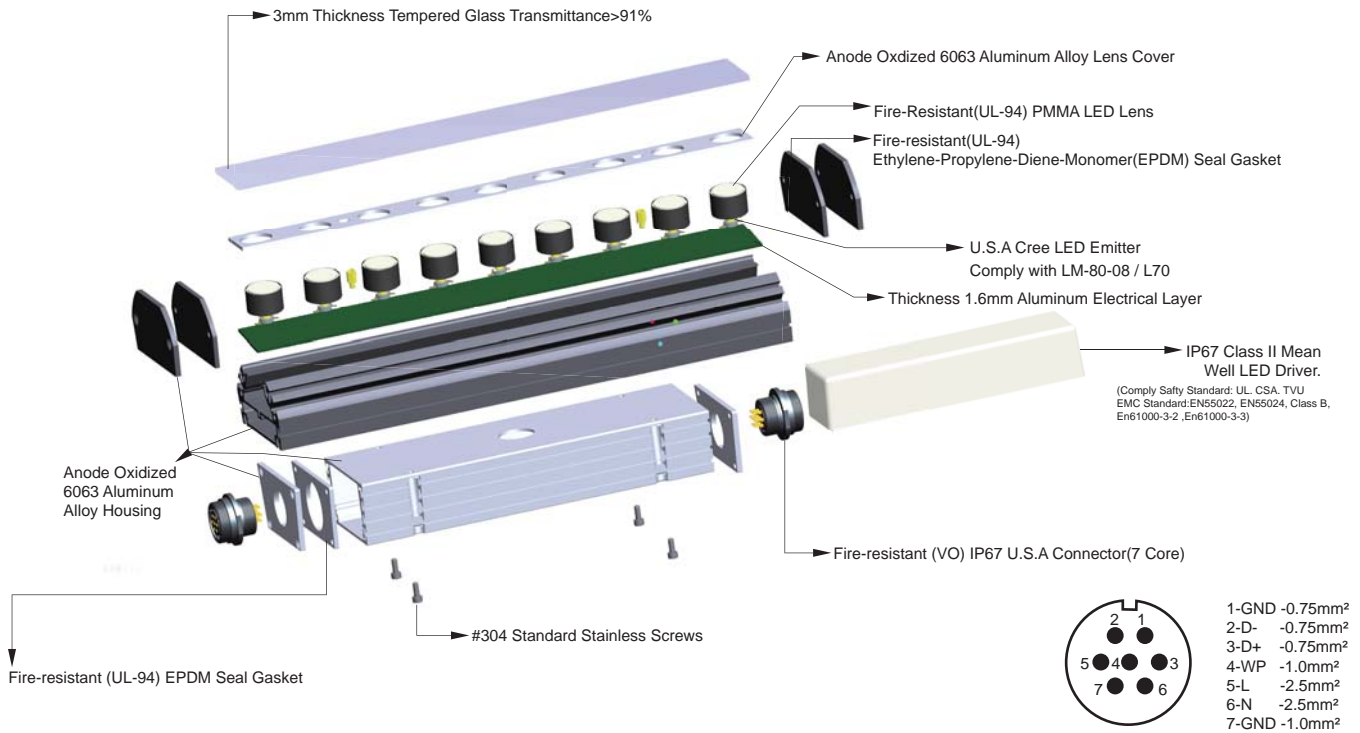
- Comply with DMX-512 (1990)
- Comply with RDM protocol (remote device management)
- Comply with 1~10V and leading edge dimming system
- Anode oxidized 6063 aluminum alloy and 3mm thickness tempered glass housing
- Fired-resistant (UL-94) Ethylene-Propylene-Diene-Monomer* (EPDM) seal gasket
- Integrated fired-resistant (V0) IP67 U.S.A 7 Pin connectors
- Multiple optical fire-resistant (UL94) PMMA lens to distribute narrow, widely and asymmetric beam angles
- Optional AC input, built-in IP67 class II meanwell LED driver complied with UL, CSA, TUV and EMC standard.

Applications:

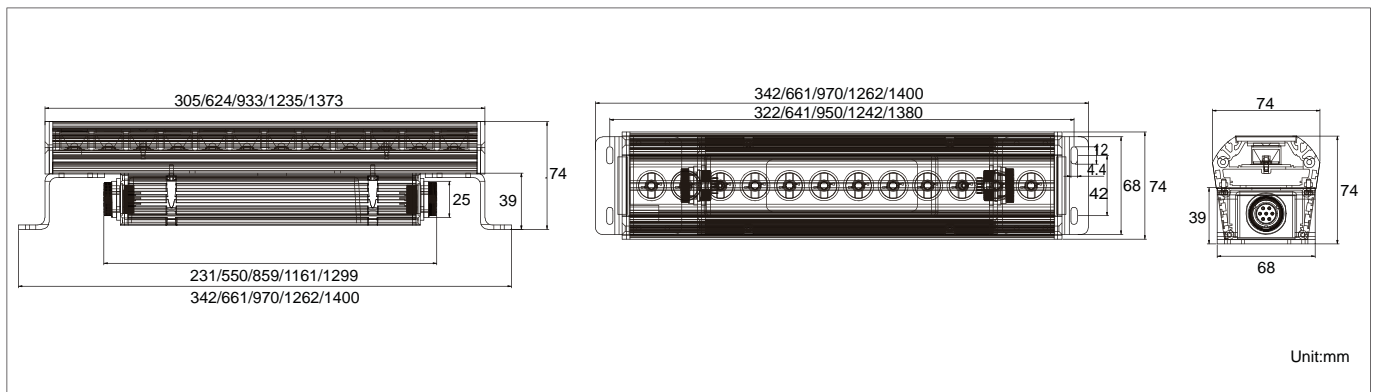
- Outdoor plaza
- The house of contours
- Bridges
- Landscape lighting

MYSA Series





Product Dimensions:



Manufacturing Quality Standard:

- ISO 9001:2008

LED Luminaire Standard:

- EN/IEC 60598-1
- EN/IEC 60598-2-1
- EN/IEC 60598-2-2
- EN/IEC 60529
- EN/IEC 62471-2
- IEC 62612
- EN/IEC 60968
- IEC 62560
- EN/IEC 60061-1
- EN 13032-1
- EN 13032-2
- EN/IEC 62471
- EN/IEC 60825
- EN 60061-1

Electronic Driver Standard:

- EN/IEC 61347-1
- EN/IEC 61347-2-13
- EN/IEC 62384
- EN/IEC 61000-3-2
- EN/IEC 61000-3-3
- EN/IEC 61547
- EN 55015(CISPR 15)

LED Module Standard:

- IEC 62031
- IEC 60838-2-2

LED Light Photometric Standard:

- CIE; TM14; LM-75; IES; LDT; CEN; CIB

RoHS Standard:

- EPA3050B
- EN 1122B
- IEC 62321
- EPA3052
- EPA3060A
- EPA7196A
- EPA3540C
- EPA8270D

LED Luminaire Performance:

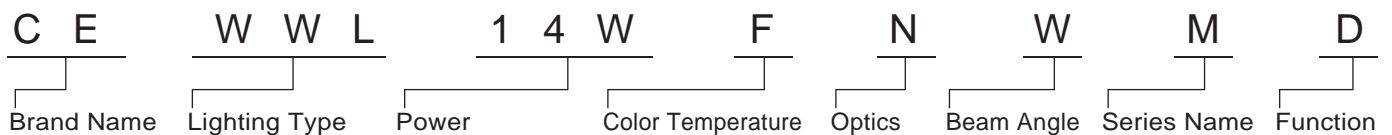
- LM-80-08
- Switching cycle:100,000x

LED Wall Washer Light MYSA Series

Specifications:

Power	14W	24W	28W	40W	42W	54W	56W	72W	70W	100W
Size (Length)	342mm		661mm		970mm		1262mm		1400mm	
Qty of LEDs	12PCS		24PCS		36PCS		48PCS		56PCS	
Net Weight	1.2kg		1.8kg		2.2kg		3.8kg		4.1kg	
Input Voltage	DC 24V or AC 90~264V 47~63Hz									
Control Protocol(optional)	DMX 512 / RDM / 1~10V / Triac Dimming Leading Edge									
RDM Signal	ON / OFF Status of LED Wall Washer									
Beam Angle	Symmetric Lens: 10° / 25° / 30° / 45° / 60° / 10°x30° / 10°x40° / 10°x50° / 10°x60° / 15°x40° / 30°x60° Asymmetric Lens: 10°x60° / 15°x30° / 25°x40° / 30°x60° No Lens: 90°x160°									
Color Rendering Index	85@2700K / 85@3000K / 85@3500K / 85@4000K / 80@5000K / 75@6500K									
Luminaire Efficacy	*50lm/w(2700K), *55lm/w(3000K), *60lm/w(3500K),		*65lm/w(4000K), *80lm/w(5000K), *90lm/w(6500K),		*20lm/w(RGB), *10lm/w(Blue 450~160nm), *50lm/w(Red 620~630nm),		*65lm/w(Green 520~530nm), *30lm/w(Yellow 589~595nm)			
LED Source Efficacy	*90lm/w(2700K), *95lm/w(3000K), *100lm/w(3500K),		*110lm/w(4000K), *115lm/w(5000K), *120lm/w (6500K),		*35lm/w(RGB), *20lm/w(Blue 450~460nm), *70lm/w(Red 620~630nm),		*80lm/w(Green 520~530nm), *50lm/w(Yellow 589~595nm)			
LED Source	CREE									
Life Time	50,000 Hours at Ta=40°C									
Operating Temperature	-20~50°C									
Operating Humidity	10%~90%RH									
Finishing Materials	Aluminum and Tempered Glass									
Body Color	Sliver / Matte Black / Matte Grey / Tailor-made									
RAL Color Code	9006 / 9017 / 7042 /									

Ordering Part No.:

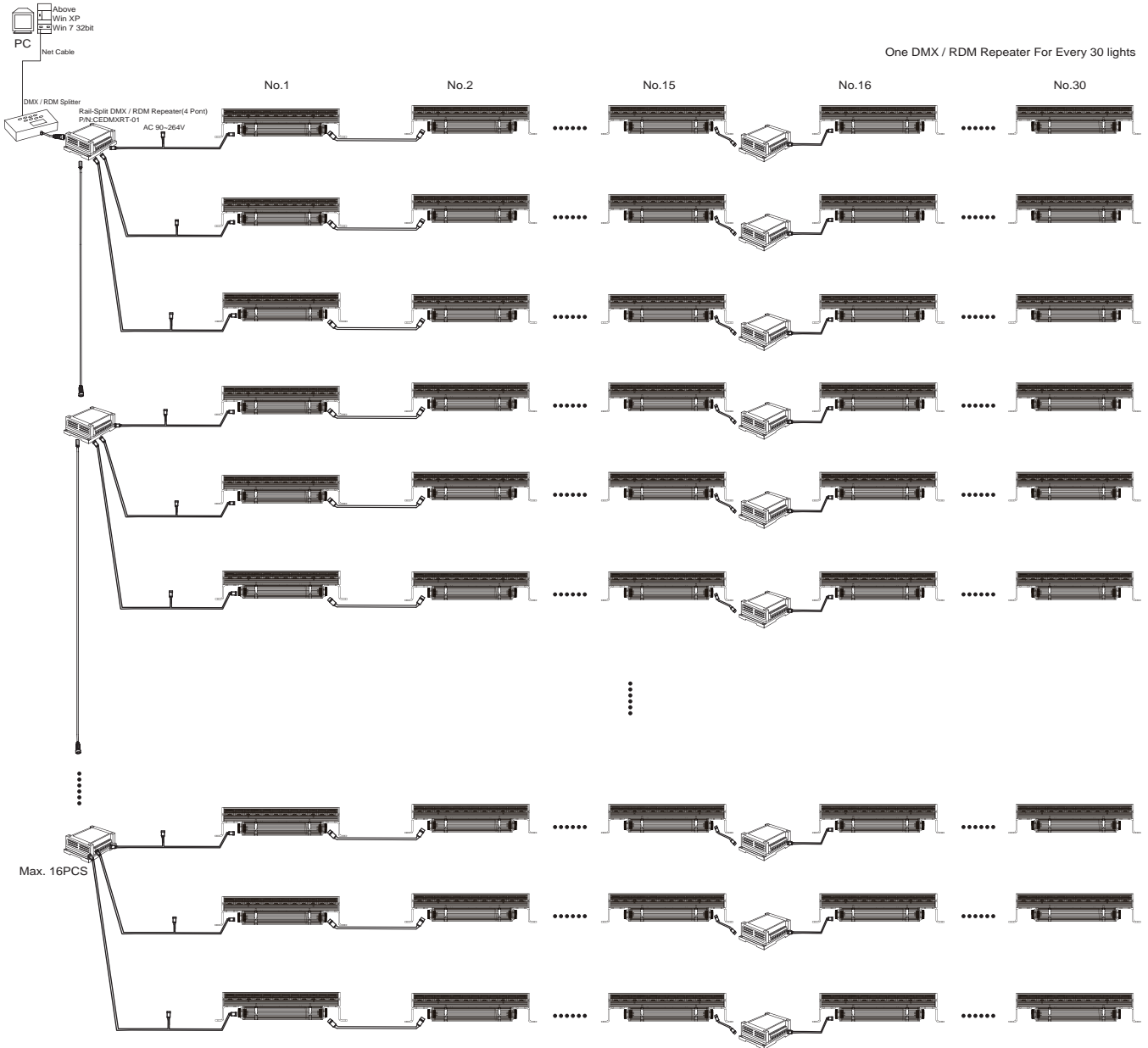


Brand Name	Lighting Type	Power	Color Temperature	Optics	Beam Angle	Series Name	Function
CE: CELEX	WWL: Wall Washer Light	14W 24W 28W 40W 42W 54W 56W 70W 72W 100W	O:2700K W:3000K E:3500K N:4000K D:5000K C:6500K R:Red(620~630nm) G:Green(520~530nm) B:Blue(450~460nm) Y:Yellow(590~595nm) F:Full Color(RGB)	N: No Lens	W:90°x160°	M: MYSA Series	D: DMX512+DC 24V E: DMX512 +AC 90~264V L: DC 24V N: AC 220V J: AC 110V T: Triac Dimming Leading Edge V: 1~10V Dimming +DC 24V RD: RDM+DC 24V (External Driever) RN: RDM+AC 90~264V
				L: Lens (Symmetric)	XS:10° S:25° M:30° L:45° X:60° XSM:10°x30° XSL:10°x40° XSLZ:10°x50° XLX:10°x60° SL:15°x40° MX:30°x60°		
				L: Lens (Asymmetric)	AXSL:10°x60° AXSM:15°x30° ASL: 25°x40° AXMX:30°x60°		

LED Wall Washer Light MYSA Series



Wiring Diagram:



Accessories:



DMX / RDM Repeater
P/N: CEDMXRT-01



DMX / RDM Encoder
P/N: CEENCORDER-02



M21 7core signal whielding extension wire-600mm
P/N: CECEM21-7C-600



Resistor 120 ohm Terminator