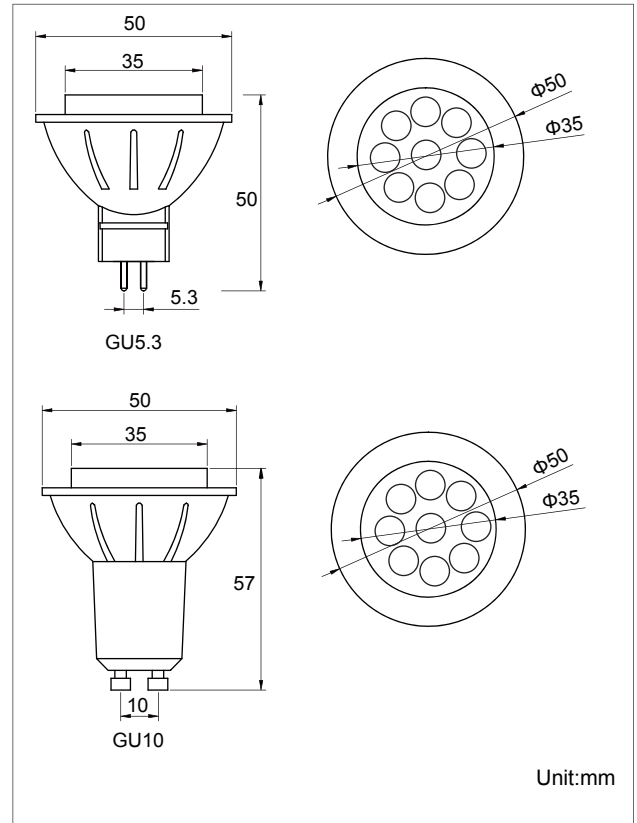
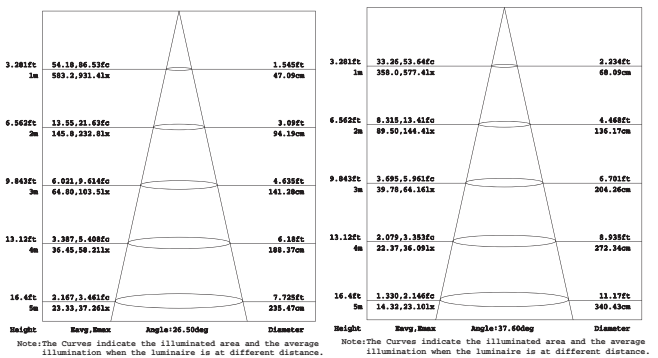
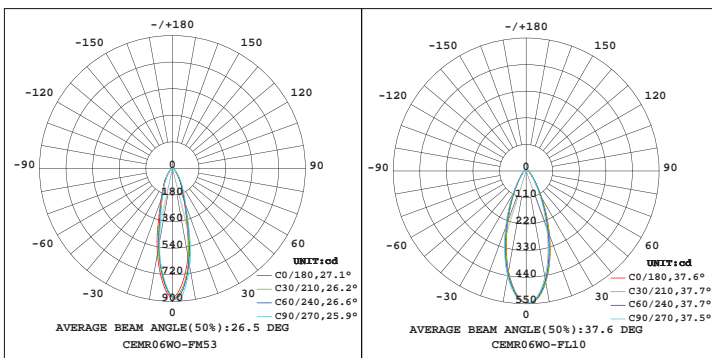


Product Dimensions:



Luminous Intensity Distribution Diagram:

Lux Distribution:



Manufacturing Quality Standard:

- ISO 9001:2008

LED Luminaire Standard:

- EN/IEC 60598-1
- EN/IEC 60598-2-1
- EN/IEC 60598-2-2
- EN/IEC 60529
- EN/IEC 62471-2
- IEC 62612
- EN/IEC 60968
- IEC 62560
- EN/IEC 50061-1
- EN 13032-1
- EN 13032-2
- EN/IEC 62471

Electronic Driver Standard:

- EN/IEC 61347-1
- EN/IEC 61347-2-13
- EN/IEC 62384
- EN/IEC 61000-3-2
- EN/IEC 61000-3-3
- EN/IEC 61547
- EN 55015(CISPR 15)

LED Module Standard:

- IEC 62031
- IEC 60838-2-2

LED Light Photometric Standard:

- CIE; TM14; LM-75; IES; LDT; CEN; CIB

RoHS Standard:

- EPA3050B
- EN 1122B
- IEC 62321
- EPA3052
- EPA3060A
- EPA7196A
- EPA3540C
- EPA8270C

LED Luminaire Performance:

- IESNA LM-79-08
- IESNA LM-80-08
- Switching cycle: 100,000x

### Features:

- Can replace 50W halogen lamp
- Safety design with ceramic heat sink housing
- Unique PMMA lens design for precise lighting

### Applications:

- Domestic use in living and dining rooms, bedrooms, halls and studies
- Hotel lounges, restaurants
- Bedrooms, halls, conference rooms and foyers
- Clubs and social areas
- Ballrooms
- Shops and boutiques



### Specifications:

Part No	CCT (K)	Beam Angle	Color Rendering Index	Luminaire Luminous Flux (lm)	Luminaire Efficacy (lm/w)	LED Source (lm)	Input Voltage	Power (W)	Socket
CEMR06WO-FM53	2700	24°	80	510	85	480	AC/DC 12V	6	GU5.3
CEMR06WW-FM53	3000	24°	80	510	85	510	AC/DC 12V	6	GU5.3
CEMR06WN-FM53	4000	24°	80	540	90	530	AC/DC 12V	6	GU5.3
CEMR06WC-FM53	6500	24°	80	540	90	550	AC/DC 12V	6	GU5.3
CEMR06WO-FL53	2700	36°	80	510	85	480	AC/DC 12V	6	GU5.3
CEMR06WW-FL53	3000	36°	80	510	85	510	AC/DC 12V	6	GU5.3
CEMR06WN-FL53	4000	36°	80	540	90	530	AC/DC 12V	6	GU5.3
CEMR06WC-FL53	6500	36°	80	540	90	550	AC/DC 12V	6	GU5.3
CEMR06WO-FM10	2700	24°	80	510	85	480	AC 200~240V 50/60Hz	6	GU10
CEMR06WW-FM10	3000	24°	80	510	85	510	AC 200~240V 50/60Hz	6	GU10
CEMR06WN-FM10	4000	24°	80	540	90	530	AC 200~240V 50/60Hz	6	GU10
CEMR06WC-FM10	6500	24°	80	540	90	550	AC 200~240V 50/60Hz	6	GU10
CEMR06WO-FL10	2700	36°	80	510	85	480	AC 200~240V 50/60Hz	6	GU10
CEMR06WW-FL10	3000	36°	80	510	85	510	AC 200~240V 50/60Hz	6	GU10
CEMR06WN-FL10	4000	36°	80	540	90	530	AC 200~240V 50/60Hz	6	GU10
CEMR06WC-FL10	6500	36°	80	540	90	550	AC 200~240V 50/60Hz	6	GU10

### Products Characteristic:

- Operating Temperature: -20~50°C
- Operating Humidity: 10%~90%RH
- Life Time: 50,000 Hours at Ta=40°C
- Finishing Materials: Ceramic & Polycarbonate
- Body Color: White
- LED Source: Seoul Semiconductor
- Net Weight: 57g(GU5.3) / 65g(GU10)

### Connection Guide:

