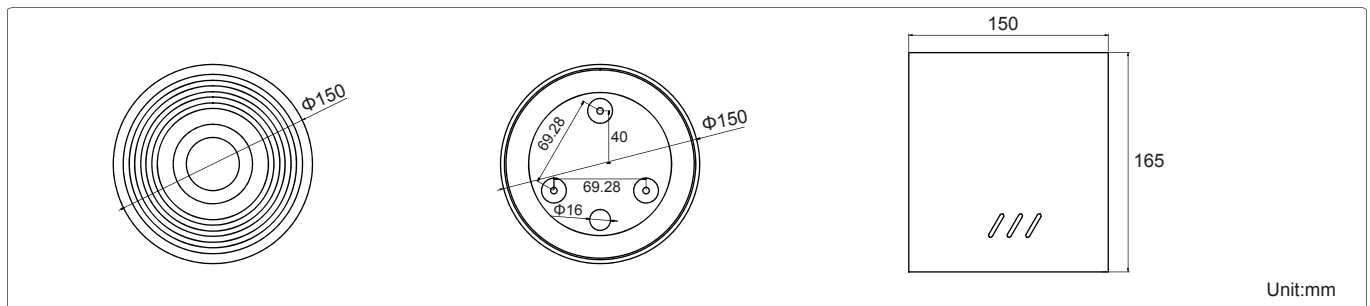
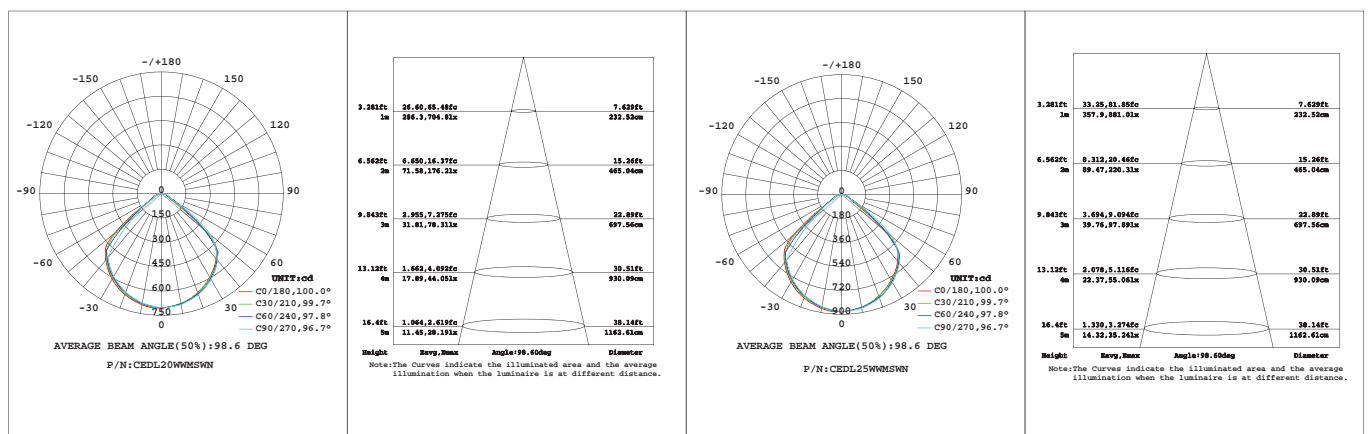




Product Dimensions:



Luminous Intensity Distribution Diagram & Lux Distribution:



Manufacturing Quality Standard:

- ISO 9001:2008
- EN/IEC 60598-1
- EN/IEC 60598-2-1
- EN/IEC 60598-2-2
- EN/IEC 60529
- EN/IEC 62471-2
- IEC 62612
- EN/IEC 60968
- IEC 62560
- EN/IEC 60061-1
- EN 13032-1
- EN 13032-2
- EN/IEC 62471

Electronic Driver Standard:

- EN/IEC 61347-1
- EN/IEC 61347-2-13
- EN/IEC 62384
- EN/IEC 61000-3-2
- EN/IEC 61000-3-3
- EN/IEC 61547
- EN 55015(CISPR 15)

LED Module Standard:

- IEC 62031
- IEC 60838-2-2

LED Light Photometric Standard:

- CIE, TM14; LM-75; IES; LDT; CEN; CIB

RoHS Standard:

- EPA3050B
- EN 1122
- IEC 62321
- EPA3052
- EPA3060A
- IESNA LM-79-08
- IESNA LM-80-08
- EPA7196A
- EPA3540C
- EPA8270C

LED Luminaire Performance:

- Switching cycle:100,000x

Emergency Standard:

- With CELEX-LED Emergency System
- HKFSD PPA 104A(4th Revision)
- EN 60598-2-22
- BS 6387
- BS EN 60598-2-22
- EN 61347-2-7
- BS EN 60702-2
- BS 5266-1
- BS 6207-3

Features:

- Surface mounted type
- Die casting aluminum
- Static spray coating surface
- Unique fin design
- Uniform illumination with special diffuser
- High power efficiency (>0.85) and power factor(>0.9)
- Optional 1~10V driver for dimming control
- Optional dali driver for dimming control
- Optional DMX driver for dimming control
- Optional battery kit for emergency lighting
- Optional DMX driver for DMX512 dimming control

Applications:

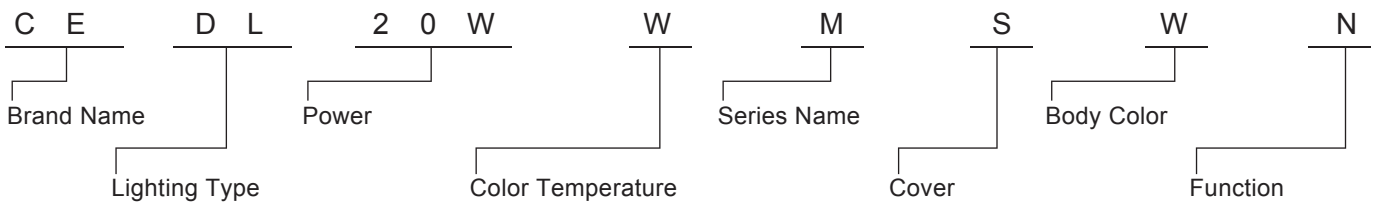
- Home use
- Hotel Lounges
- Restaurants
- Halls and clubs
- Ballrooms



Specifications:

Power	15W / 20W / 25W
Input Voltage	AC 220~240V 50/60Hz
Power Factor	>0.9
Beam Angle	100°
Color Rendering Index	80
Luminaire Efficacy	* 70lm/w (2700K), * 75lm/w (3000K), * 80lm/w (4000K), * 85lm/w (5000K), * 90lm/w (6500K)
LED Source Efficacy	* 95lm/w (2700K), * 100lm/w (3000K), * 110lm/w (4000K), * 115lm/w (5000K), * 120lm/w (6500K)
LED Source	Bridgelux
Life Time	50,000 Hours at Ta=40°C
Operating Temperature	-20~50°C
Operating Humidity	10%~90%RH
Finishing Materials	Aluminum and Polycarbonate
Body Color	Matte White / Matte Black
RAL Color Code	6016 / 9005
Net Weight	1.5kg

Ordering Part No.:



Brand Name	Lighting Type	Power	Color Temperature	Series Name	Mounted Type	Body Color	Function
CE: CELEX	DL: Down Light	15W 20W 25W	O: 2700K W: 3000K N: 4000K C: 6500K	M: MORPHIS Series	S: Surface Mounted	W: Matte White B: Matte Black	D: DMX 512 Dimming E: Emergency(2hrs) N: Switch In T: Triac Dimming Leading Edge V: 1~10V Dimming