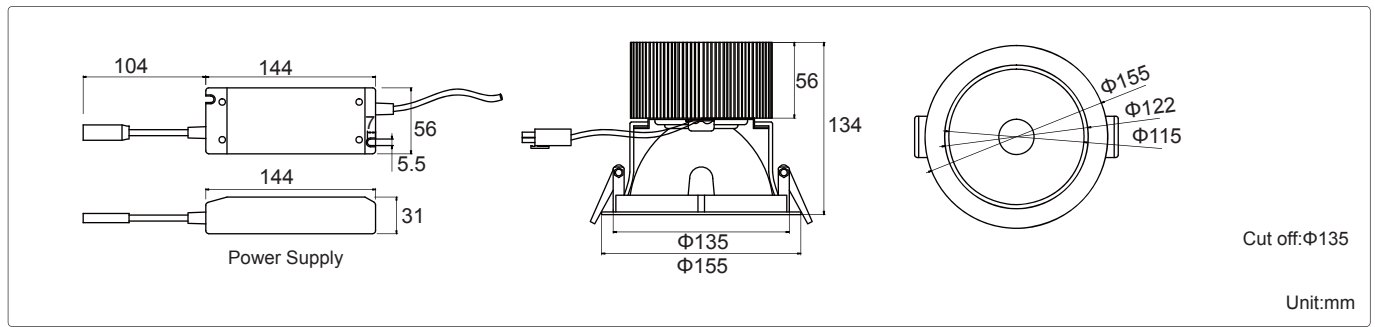




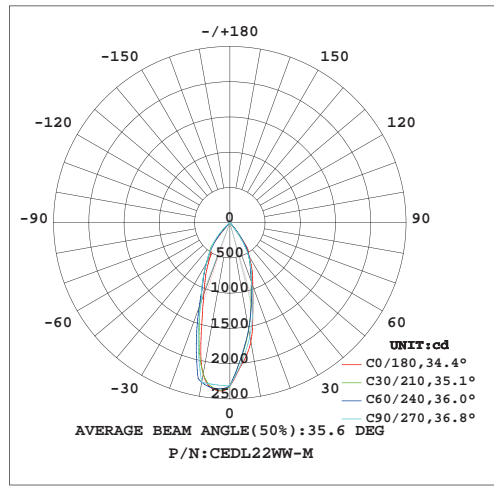
22w



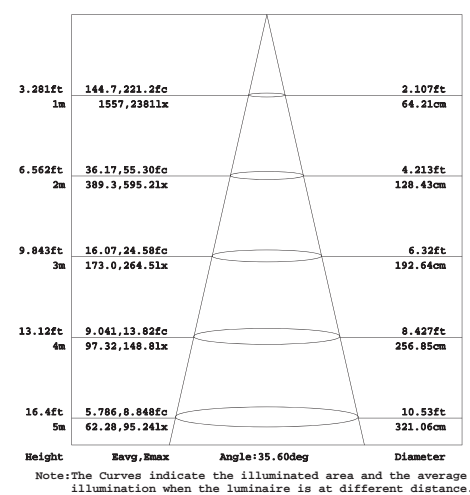
Product Dimensions:



Luminous Intensity Distribution Diagram:



Lux Distribution:



Manufacturing Quality Standard:

- ISO 9001:2008

LED Luminaire Standard:

- EN/IEC 60598-1
- EN/IEC 60598-2-1
- EN/IEC 60598-2-2
- EN/IEC 60529
- EN/IEC 62471-2
- IEC 62612
- EN/IEC 60968
- IEC 62560
- EN/IEC 60061-1
- EN 13032-1
- EN 13032-2
- EN/IEC 62471

Electronic Driver Standard:

- EN/IEC 61347-1
- EN/IEC 61347-2-13
- EN/IEC 62384
- EN/IEC 61000-3-2
- EN/IEC 61000-3-3
- EN/IEC 61547
- EN 55015(CISPR 15)

LED Module Standard:

- IEC 62031
- IEC 60838-2-2

RoHS Standard:

- EPA3050B
- EN 1122
- IEC 62321
- EPA3052
- EPA3060A
- EPA7196A
- EPA3540C
- EPA8270C

LED Luminaire Performance:

- LM-79-08
- Switching cycle: 100,000x

LED Light Photometric Standard:

- CIE; TM14; LM-75; IES; LDT; CEN; CIB

Emergency Standard:

- HKFSD PPA 104A (4th Revision)
- EN 60598-2-22
- BS 6387
- BS EN 60598-2-22
- EN 61347-2-7
- BS EN 60702-2
- BS 5266-1
- BS 6207-3



Features:

- 22W can replace 1X48W or 2X23W compact fluorescent downlight
- Aluminum housing with static spray coating surface
- High pressure die-casting aluminum heat sink
- Specular silver aluminum reflector
- Unique frosted plastic diffuser for unified glare rating
- Emergency lighting with additional battery back up power
- Optional:DMX dali and 1~10V dimming driver

Applications:

- Home use in living and dining rooms, bedrooms, halls and studies
- Hotel lounges, restaurants, bedrooms, halls, conference rooms and foyers
- Clubs and social areas
- Ballrooms
- Shops and boutiques



Specifications:

Part No	CCT (K)	Beam Angle	Color Rendering Index	Luminous Intensity (cd)	Luminaire Luminous Flux (lm)	Luminaire Efficacy (lm/w)	Power (W)	Dimmable
CEDL22WW-M	3000	35°	83	2400	1260	57	22	No
CEDL22WN-M	4000	35°	83	2600	1300	59	22	No
CEDL22WC-M	6500	35°	83	2800	1400	70	22	No

General And Electrical Characteristics:

- Input Voltage: AC 100~240V 50/60Hz
- Power Factor: 0.9
- Operating Temperature: -20~60°C
- Operating Humidity: 0~90%
- Life Time: 50,000 Hours at Ta=40°C
- LED Sources: Sharp
- Finishing Materials: Aluminum and Glass
- Body Color: White
- Net Weight: 1.21kg
- Package Dimension: 170x170x150mm

Installation Guide

