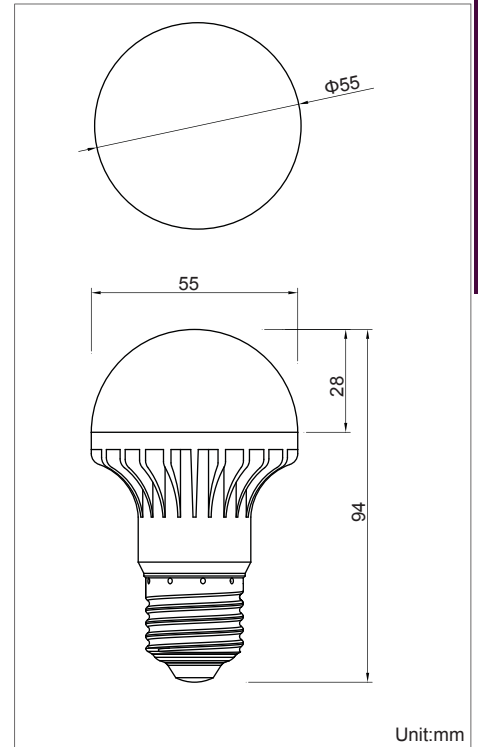
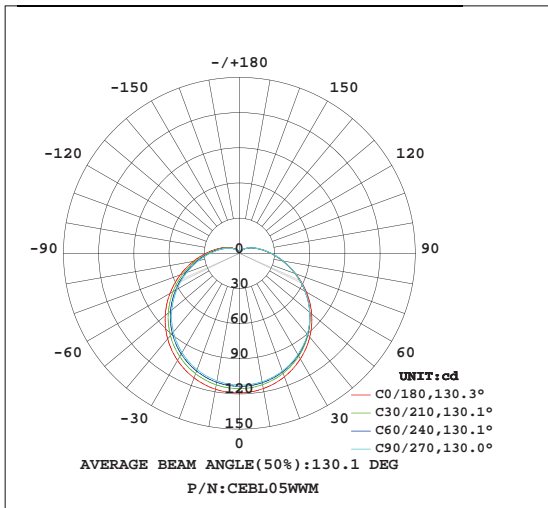




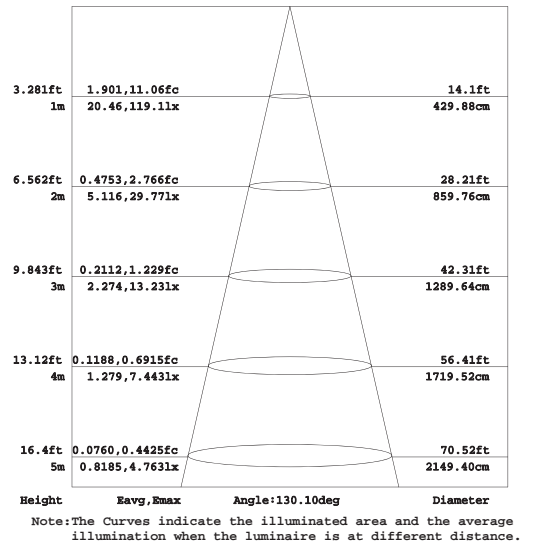
Product Dimensions:



Luminous Intensity Distribution Diagram:



Lux Distribution:



Manufacturing Quality Standard:

- ISO 9001:2008

LED Luminaire Standard:

- EN/IEC 60598-1
- EN/IEC 60598-2-1
- EN/IEC 60598-2-2
- EN/IEC 60529
- EN/IEC 62471-2
- IEC 62612
- EN/IEC 60968
- IEC 62560
- EN/IEC 60061-1
- EN 13032-1
- EN 13032-2
- EN/IEC 62471
- EN/IEC 60825
- EN 60061-1

Electronic Driver Standard:

- EN/IEC 61347-1
- EN/IEC 61347-2-13
- EN/IEC 62384
- EN/IEC 61000-3-2
- EN/IEC 61000-3-3
- EN/IEC 61547
- EN 55015(CISPR 15)

LED Module Standard:

- IEC 62031
- IEC 60838-2-2

RoHS Standard:

- EPA3050B
- EN 1122B
- IEC 62321
- EPA3052
- EPA3060A
- EPA7196A
- EPA3540C
- EPA8270D

LED Luminaire Performance:

- IESNA LM-79-08
- IESNA LM-80-08
- Switching cycle:100,000x

LED Light Photometric Standard:

- CIE; TM14; LM-75; IES; LDT; CEN; CIB

Features:

- Can replace 50W tungsten bulb
- Can replace 10W compact fluorescent lamp
- Milky diffuser for UGR standard
- Excellent cooling system
- UV and IR Free

Applications:

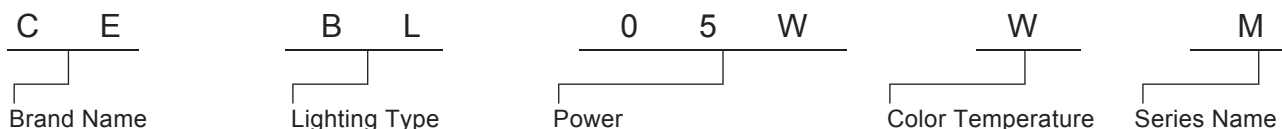
- Home Lighting
- Shopping Mall Lighting
- Down Light



Specifications:

Power	5W
Input Voltage	AC 100~240V 50/60Hz
Beam Angle	135°
Color Rendering Index	80
Luminaire Efficacy	* 95lm/w (3000K), * 100lm/w (4000K), * 105lm/w (6500K)
LED Source Efficacy	* 120lm/w (3000K), * 130lm/w (4000K), * 140lm/w (6500K)
LED Source	SMD
Life Time	50,000 Hours at Ta=40°C
Operating Temperature	-20~50°C
Operating Humidity	10%~90%RH
Finishing Materials	Aluminum with Plastic Cover & Polycarbonate Diffuser
Body Color	Grey
Net Weight	58g

Ordering Part No.:



Brand Name	Lighting Type	Power	Color Temperature	Series Name
CE: CELEX	BL: Bulb Light	05W	W: 3000K N: 4000K C: 6500K	M: MOON Series