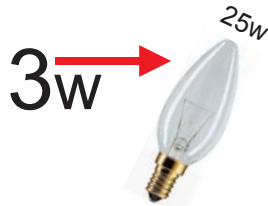




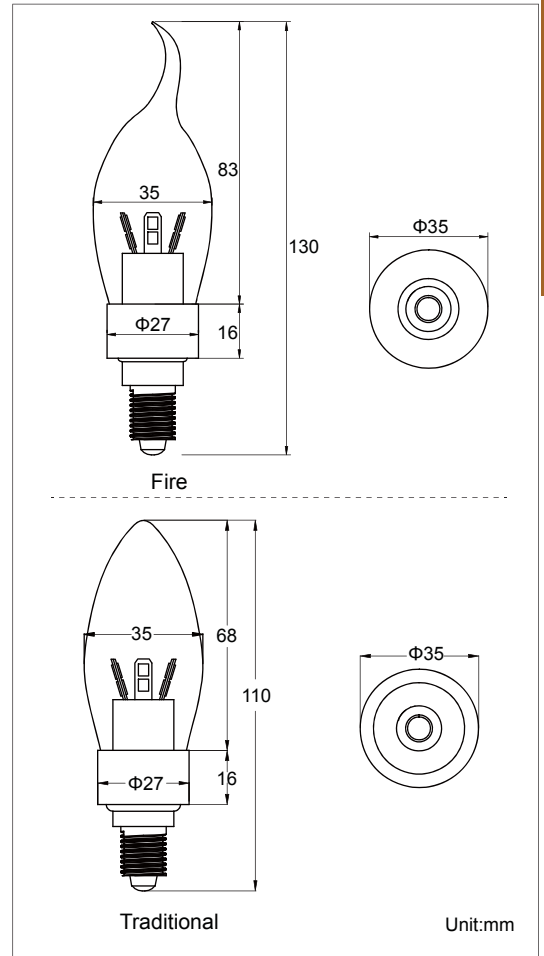
Fire

Traditional



Incandescent Candle Light

Product Dimensions:



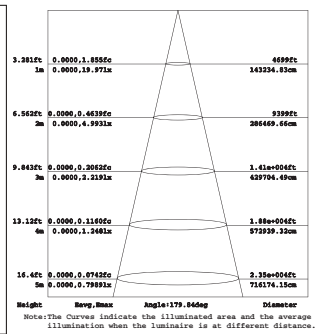
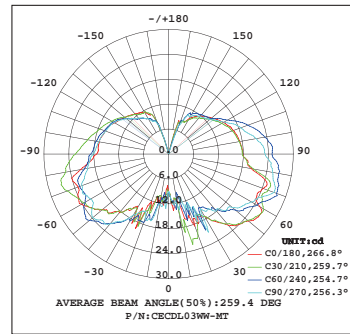
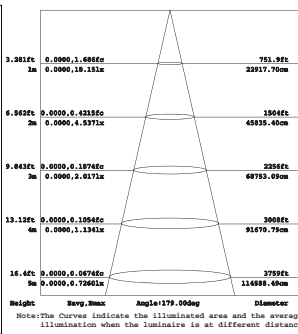
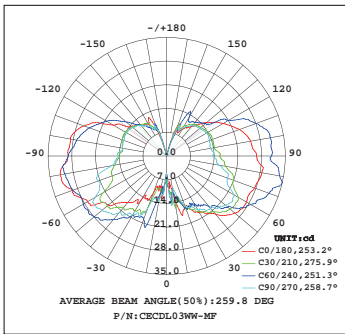
Fire

Traditional

Unit:mm



Luminous Intensity Distribution Diagram & Lux Distribution:



Manufacturing Quality Standard:

- ISO 9001:2008

LED Luminaire Standard:

- EN/IEC 60598-1
- EN/IEC 60598-2-1
- EN/IEC 60598-2-2
- EN/IEC 60529
- EN/IEC 62471-2
- IEC 62612
- EN/IEC 60968
- IEC 62560
- EN/IEC 60061-1
- EN 13032-1
- EN 13032-2
- EN/IEC 62471
- EN/IEC 60825
- EN 60061-1

Electronic Driver Standard:

- EN/IEC 61347-1
- EN/IEC 61347-2-13
- EN/IEC 62384
- EN/IEC 61000-3-2
- EN/IEC 61000-3-3
- EN/IEC 61547
- EN 55015(CISPR 15)

RoHS Standard:

- EPA3050B
- EN 1122B
- IEC 62321
- EPA3052
- EPA3060A
- EPA7196A
- EPA3540C
- EPA8270D

LED Module Standard:

- IEC 62031
- IEC 60838-2-2

LED Luminaire Performance:

- LM-80-08
- Switching cycle:100,000x

LED Light Photometric Standard:

- CIE; TM14; LM-75; IES; LDT; CEN; CIB



Features:

- Can replace 25W incandescent candle light
- High thermal conductive aluminum housing
- Uniform illumination with LED bar design
- Super matching for crystal chandelier

Applications:

- Home Lighting
- Shopping Mall Lighting
- Hotel Lighting



Specifications:

Part No	CCT (k)	Beam Angle	Color Rendering Index	Luminous Intensity (cd)	Luminaire Luminous Flux (lm)	Socket	Power (w)	Dimmable
CECDL03WW-MF	3000	260°	80	35	270	E14	3	No
CECDL03WN-MF	4000	260°	80	37	280	E14	3	No
CECDL03WC-MF	6500	260°	80	40	290	E14	3	No
CECDL03WW-MT	3000	260°	80	35	270	E14	3	No
CECDL03WN-MT	4000	260°	80	37	280	E14	3	No
CECDL03WC-MT	6500	260°	80	40	290	E14	3	No

Products Characteristic:

- Input Voltage: AC 220~240V 50/60Hz
- Operating Temperature: -20~50°C
- Operating Humidity: 10~90%
- Housing Materials: Aluminum and Glass
- Life Time: 50,000 Hours (Ta=40°C)
- Body Color: Silver
- LED Type: Samsung
- Net Weight: 35g

