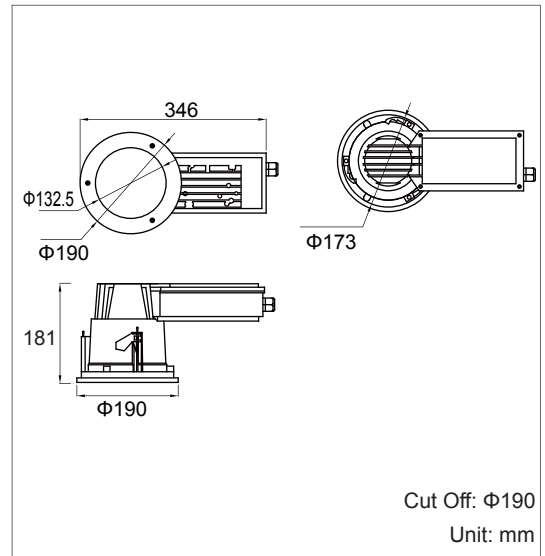
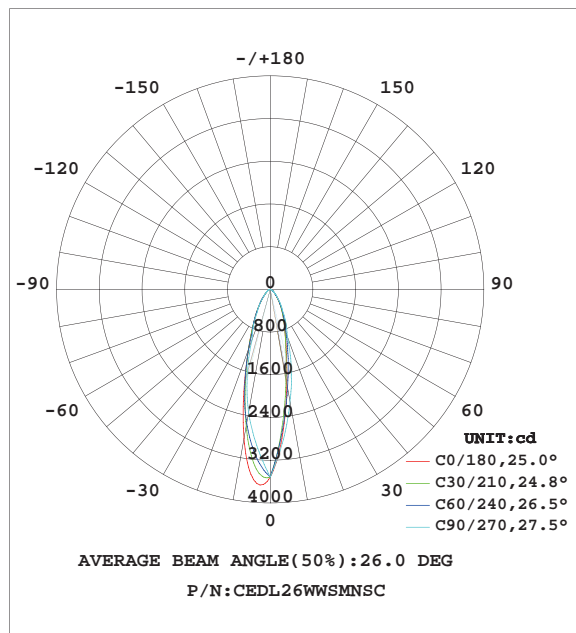




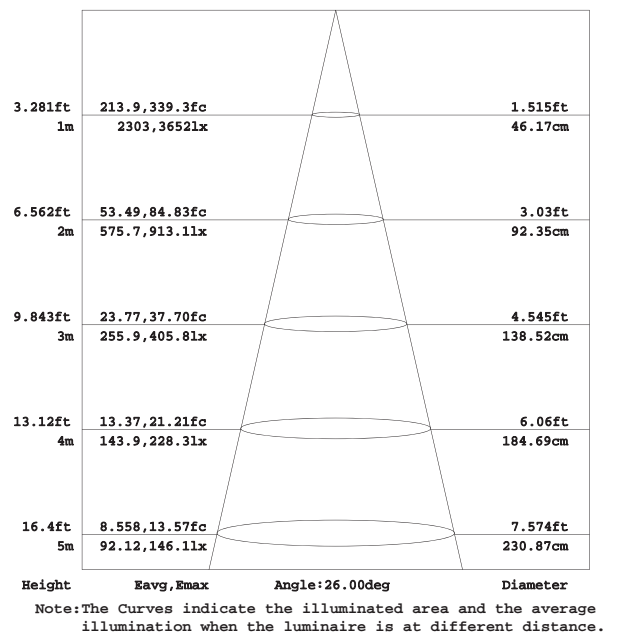
Product Dimensions:



Luminous Intensity Distribution Diagram:



Lux Distribution:



Manufacturing Quality Standard:

- ISO 9001:2008

LED Luminaire Standard:

- EN/IEC 60598-1
- EN/IEC 60598-2-1
- EN/IEC 60598-2-2
- EN/IEC 60529
- EN/IEC 62471-2
- IEC 62612
- EN/IEC 60968
- IEC 62560
- EN/IEC 60061-1
- EN 13032-1
- EN 13032-2
- EN/IEC 62471

Electronic Driver Standard:

- EN/IEC 61347-1
- EN/IEC 61347-2-13
- EN/IEC 62384
- EN/IEC 61000-3-2
- EN/IEC 61000-3-3
- EN/IEC 61547
- EN 55015(CISPR 15)

LED Module Standard:

- IEC 62031
- IEC 60838-2-2

RoHS Standard:

- EPA3050B
- EN 1122
- IEC 62321
- EPA3052
- EPA3060A
- EPA7196A
- EPA3540C
- EPA8270C

LED Luminaire Performance:

- LM-80-08
- Switching cycle: 100,000x

LED Light Photometric Standard:

- CIE; TM14; LM-75; IES; LDT; CEN; CIB

Emergency Standard:

- HKFSD PPA 104A (4th Revision)
- EN 60598-2-22
- BS 6387
- BS EN 60598-2-22
- EN 61347-2-7
- BS EN 60702-2
- BS 5266-1
- BS 6207-3

Features:

- Recess mounted type
- Die-cast aluminum housing
- Tempered glass cover
- High power efficiency(>0.85) and power factor(>0.9)
- Optional 1~10V driver for dimming control
- Optional dali driver for dimming control
- Optional DMX driver for dimming control
- Optional battery kit for emergency lighting
- Optional DMX driver for DMX512 dimming control

Applications:

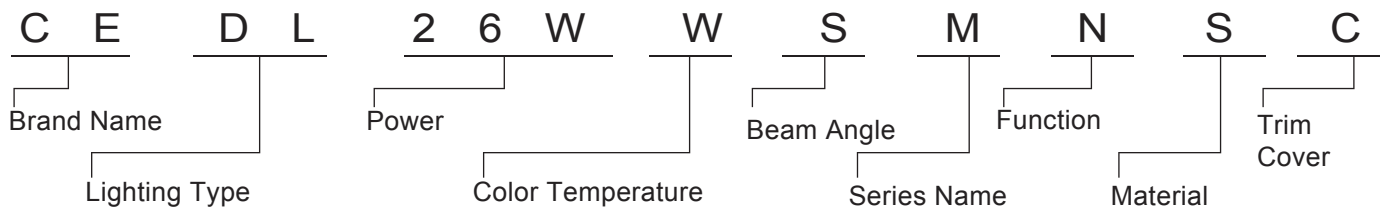
- Home use
- Hotel Lounges
- Restaurants
- Halls and clubs
- Ballrooms



Specifications:

Power	15W / 20W / 26W
Input Voltage	AC 220~240V 50/60Hz
Power Factor	>0.9
Beam Angle	24° / 60°
Color Rendering Index	80
Luminaire Efficacy	70lm/w (3000K), 80lm/w (4000K), 85lm/w (5000K)
LED Source Efficacy	95lm/w (3000K), 100lm/w (4000K), 110lm/w (5000K)
LED Source	CREE / PHILIPS
Life Time	50,000 Hours
Operating Temperature	-20~50°C
Operating Humidity	10%~99%RH
Finishing Materials	Aluminum and Tempered Glass
Trim Material	Clear Glass / Frosted Glass
Body Color	Silver / Black
Net Weight	2.92kg

Ordering Part No.:



Brand Name	Lighting Type	Power	Color Temperature	Beam Angle	Series Name	Function	Material	Trim Cover
CE: CELEX	DL: Down Light	15W 20W 26W	W: 3000K N: 4000K D: 5000K	S: 24° M: 60°	M: MEIKO Series	D: DMX 512 Dimming E: Emergency N: Switch In T: Triac dimming Leading Edge V: 1~10V Dimming	S: Stainless Steel A: Die-cast Aluminum	C: Clear Glass F: Frosted Glass