

LED Linear Light MEDIA Series



Description:

MEDIA series LED Linear light is a outdoor linear fixture available in four dimensions: 250mm/500mm/1000mm/1500mm . It has monicolor or RGB LEDs able to be controlled by DMX 512 for Media façade or Video Screen. This product suits perfectly to architectural contour lighting and Video Screen on buildings, ornamental colour washing effects or integration instructors and facades. It's as well a great alternative to urban furniture due to its IP66 protection rating.

Features:

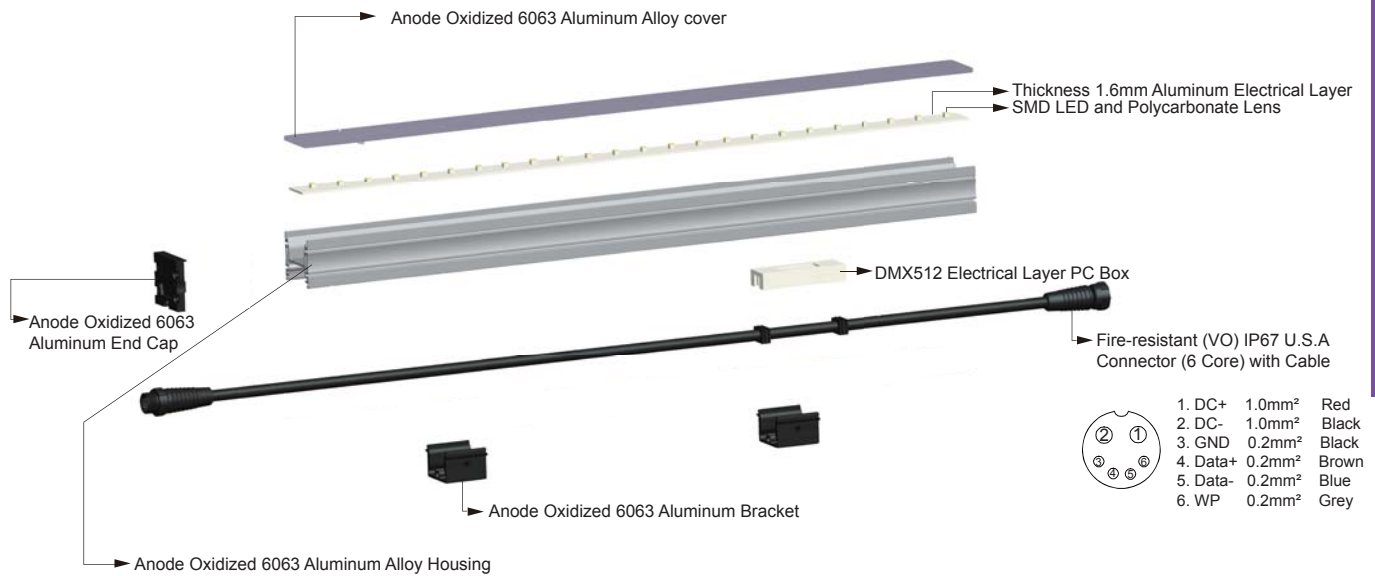
- Surface-mounted Type
- Comply with DMX-512 (1990)
- External driver to comply with 1~10V ,leading edge and Dali dimming system
- Anode oxidized 6063 aluminum alloy and milky polycarbonate
- Integrated fired-resistant (V0) IP67 U.S.A 6 Pin connectors
- Display to 16,777,216 colors
- Frame per second:>100 FPS at DMX 512 control
- Dimmable range:0~255 steps at DMX 512 dimming control
- 256 gradations for RGB individually
- Built-in constant current circuit with PWM signal > 400Hz

Applications:

- Outdoor plaza
- The house of contours
- Bridges
- Landscape lighting

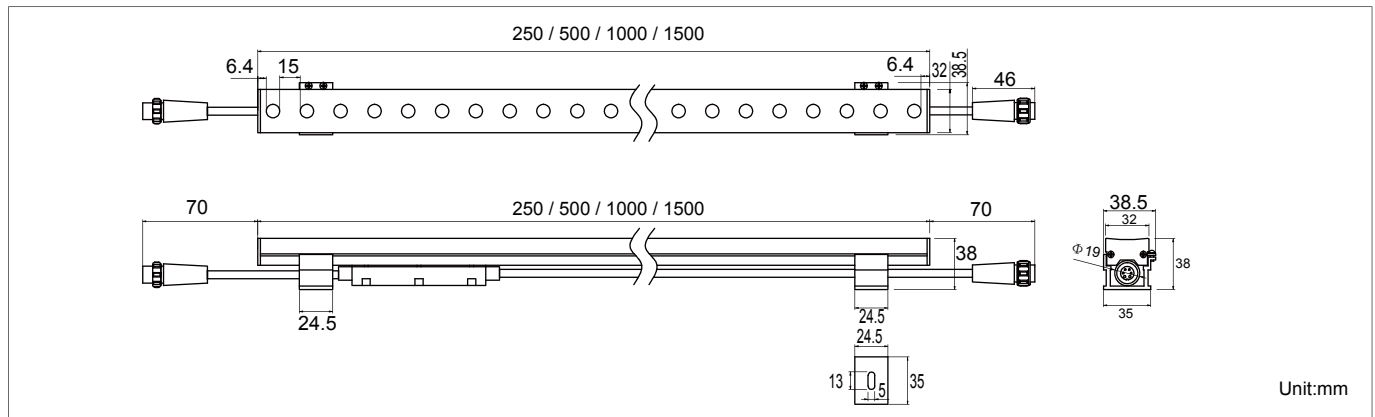
MEDIA Series   



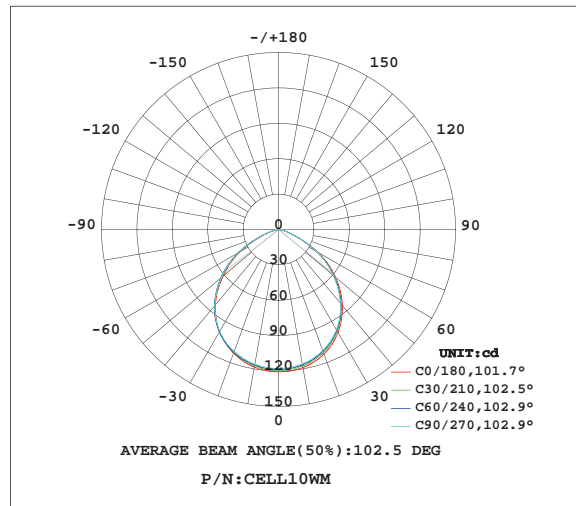


1. DC+	1.0mm ²	Red
2. DC-	1.0mm ²	Black
3. GND	0.2mm ²	Black
4. Data+	0.2mm ²	Brown
5. Data-	0.2mm ²	Blue
6. WP	0.2mm ²	Grey

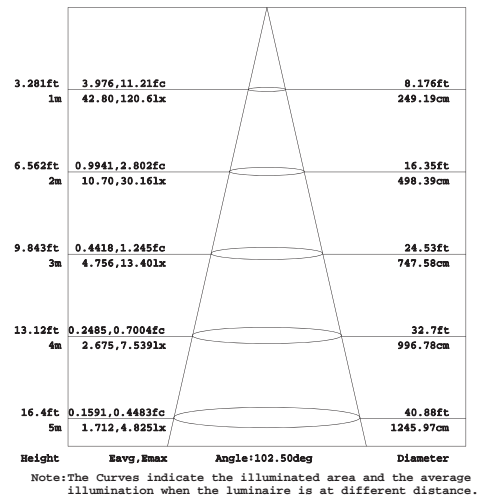
Product Dimensions:



Luminous Intensity Distribution Diagram:



Lux Distribution:



Manufacturing Quality Standard:

- ISO 9001:2008

LED Luminaire Standard:

- EN/IEC 60598-1
- EN/IEC 60598-2-1
- EN/IEC 60598-2-2
- EN/IEC 60529
- EN/IEC 62471-2
- IEC 62612
- EN/IEC 60968
- IEC 62560
- EN/IEC 60061-1
- EN 13032-1
- EN 13032-2
- EN/IEC 62471
- EN/IEC 60825
- EN 60061-1
- UL

Electronic Driver Standard:

- EN/IEC 61347-1
- EN/IEC 61347-2-13
- EN/IEC 62384
- EN/IEC 61000-3-2
- EN/IEC 61000-3-3
- EN/IEC 61547
- EN 55015(CISPR 15)

LED Module Standard:

- IEC 62031
- IEC 60838-2-2

LED Light Photometric Standard:

- CIE; TM14; LM-75; IES; LDT; CEN; CIB

RoHS Standard:

- EPA3050B
- EN 1122B
- IEC 62321
- EPA3052
- EPA3060A
- EPA7196A
- EPA3540C
- EPA8270D

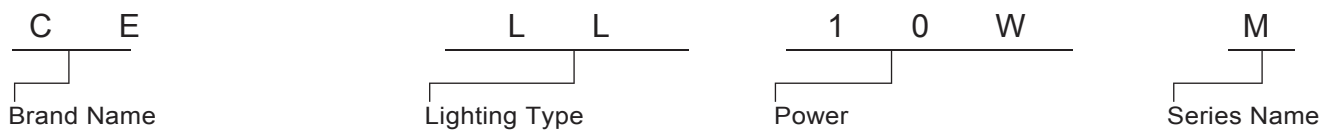
LED Luminaire Performance:

- LM-80-08
- Switching cycle:100,000x

Specifications:

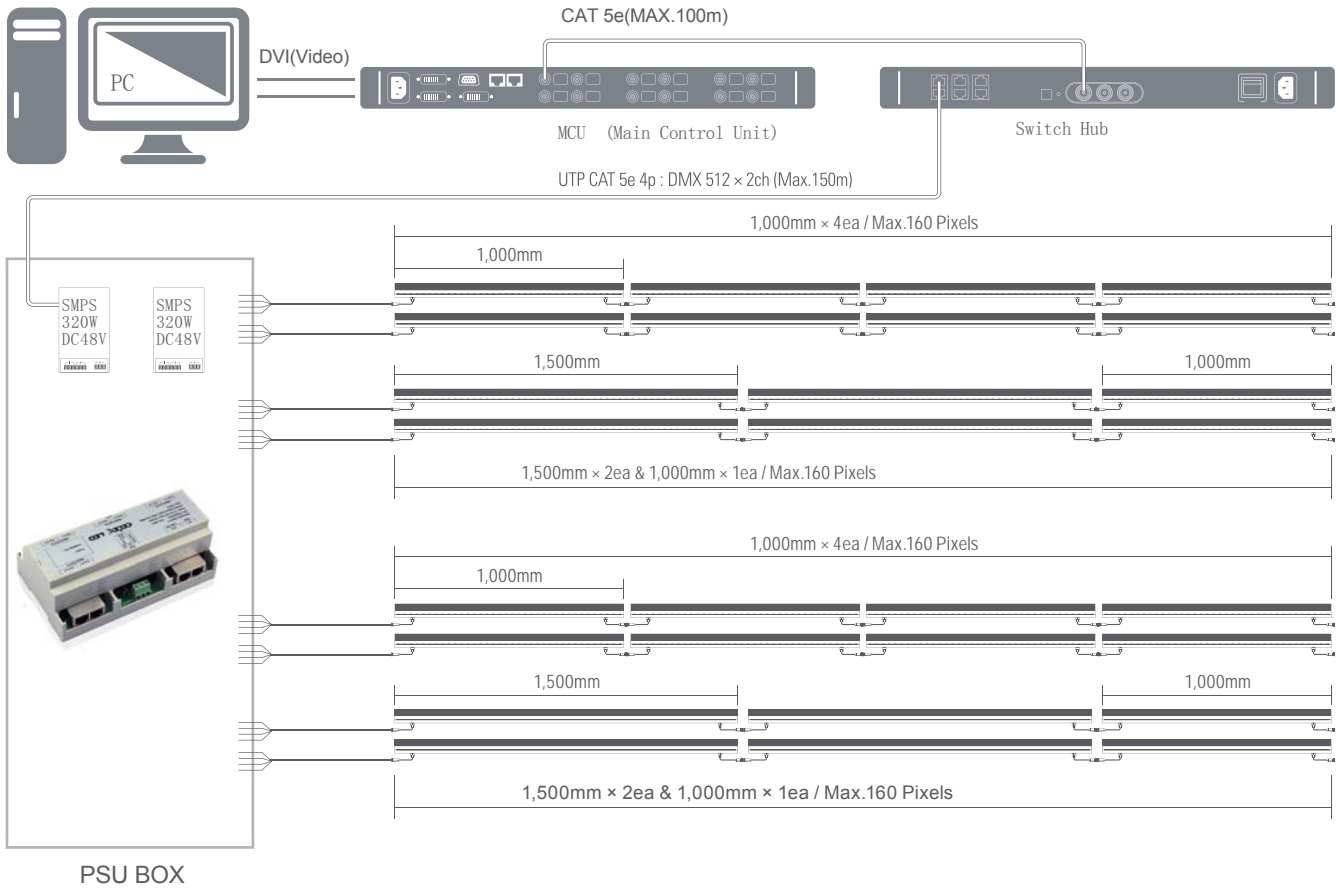
Power	21W Max	16W Max	10W Max	8W Max
Size (Length)	1500mm	1000mm	500mm	250mm
Net Weight	1.3kg	0.92kg	0.52kg	0.3kg
Qty of LEDs	60PCS	40PCS	20PCS	10PCS
Pixels Per Luminaire	60	40	20	10
DMX512 Channel Per Luminaire	180	120	60	30
Control Protocol(optional)	DMX 512 (Auto Address Setting)			
LED Chips	3 in 1 Full Color(RGB)			
Pixel Pitch	25mm			
Input Voltage	DC 24V			
Angle / View Angle (Max)	102°			
Luminaire Efficacy (Max)	*35lm/w(RGB),			
LED Source Efficacy	*55lm/w(RGB),			
LED Source	CREE / Taiwan Epistar			
Life Time	50,000 Hours			
Operating Temperature	-20°C~70°C			
Operating Humidity	0~99%RH			
Finishing Materials	Aluminum / Polycarbonate Lens			
Body Color	Sliver / Matte Black / Matte Grey / Tailor-made			
RAL Color Code	9006 / 9017 / 7042 /			

Ordering Part No.:



Brand Name	Lighting Type	Power	Series Name
CE: CELEX	LL: Linear Light	21W 16W 10W 08W	M: MEDIA Series

System Block Diagram:



Accessories:



DMX Repeater
P/N: CEDMXRT-01



M14 7core signal shielding extension wire-10m
P/N: CECM14-7C-10M



M14 7 Core "T" Cable-150mm
P/N: CECM14-7C-T



M14 Resistor 120 ohm Terminator
P/N: CETM-01 P/N: CETF-01

