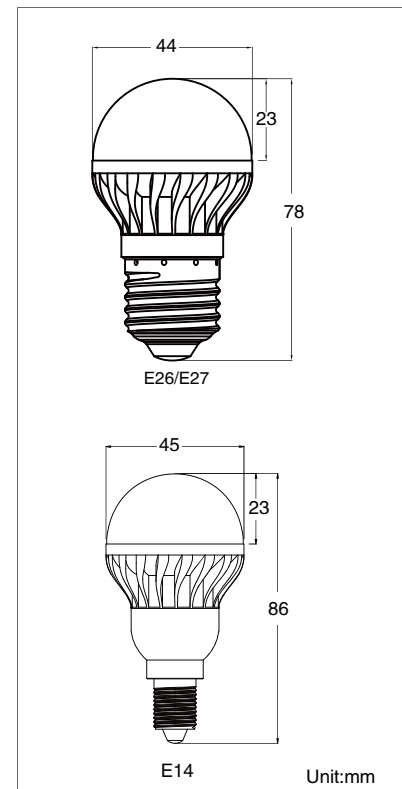
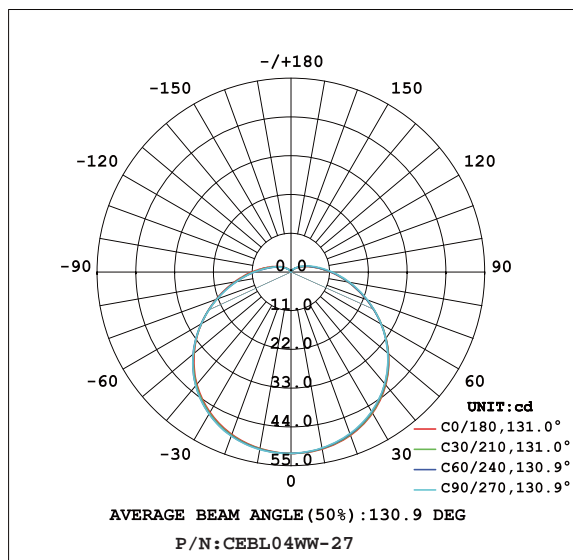


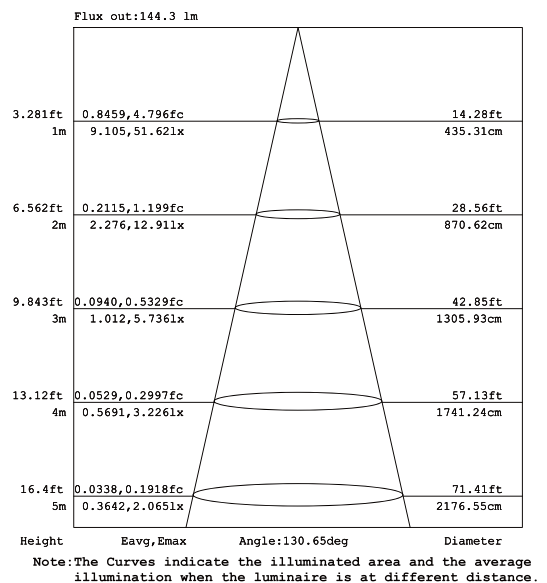
Product Dimensions:



Luminous Intensity Distribution Diagram:



Lux Distribution:



Manufacturing Quality Standard:

- ISO 9001:2008

LED Luminaire Standard:

- EN/IEC 60598-1
- EN/IEC 60598-2-1
- EN/IEC 60598-2-2
- EN/IEC 60529
- EN/IEC 62471-2
- IEC 62612
- EN/IEC 60968
- IEC 62560
- EN/IEC 60061-1
- EN 13032-1
- EN 13032-2
- EN/IEC 62471
- EN/IEC 60825
- EN 60061-1

Electronic Driver Standard:

- EN/IEC 61347-1
- EN/IEC 61347-2-13
- EN/IEC 62384
- EN/IEC 61000-3-2
- EN/IEC 61000-3-3
- EN/IEC 61547
- EN 55015(CISPR 15)

LED Module Standard:

- IEC 62031
- IEC 60838-2-2

LED Light Photometric Standard:

- CIE; TM14; LM-75; IES; LDT; CEN; CIB

RoHS Standard:

- EPA3050B
- EN 1122B
- IEC 62321
- EPA3052
- EPA3060A
- EPA7196A
- EPA3540C
- EPA8270D

LED Luminaire Performance:

- Switching cycle:100,000x

Features:

- Can replace 25W incandescent lamps
- Can replace 5W compact fluorescent lamp
- Uniform illumination with milky diffuser
- High pressure die-casting aluminum housing
- Tiny design

Applications:

- Home Lighting
- Shopping Mall Lighting
- Down Light

**Specifications:**

Part No	CCT (k)	Average Beam Angle	Color Rendering Index	Luminaire Intensity (cd)	Luminaire Luminous Flux (lm)	Socket	Power (w)	Dimmable
CEBL04WW-27	2700	130°	80	52	230	E27	4	No
CEBL04WN-27	4000	130°	80	60	280	E27	4	No
CEBL04WC-27	6500	130°	80	70	330	E27	4	No
CEBL04WW-26	2700	130°	80	52	230	E26	4	No
CEBL04WN-26	4000	130°	80	60	280	E26	4	No
CEBL04WC-26	6500	130°	80	70	330	E26	4	No
CEBL04WW-14	2700	130°	80	52	230	E14	4	No
CEBL04WN-14	4000	130°	80	60	280	E14	4	No
CEBL04WC-14	6500	130°	80	70	330	E14	4	No

Products Characteristic:

- Input Voltage: AC 100~240V 50/60Hz
- Operating Temperature: -20~50°C
- Operating Humidity: 0~95%
- Housing Materials: Aluminum / Polycarbonate
- Life Time: 40,000 Hours (Ta=40°C)
- Body Color: Silver / White
- LED Type: Taiwan Chips
- Net Weight: 70g

