

LED Pixel Light LOGIC II Series



Description:

LOGIC II Series LED Pixel Light is a outdoor fixture available in 300mm pitch monocolour or RGB LEDs able to be controlled by DMX. This product suits perfectly to architectural contour lighting on buildings, ornamental colour washing effects or integration instructors and facades. It's as well a great alternative to urban furniture due to its IP67 protection rating.

Features:

- Surface-mounted type
- Clip on-off style connection and connection without connector design
- Silicon epoxy encapsulated
- Outdoor lighting protection and electrostatic discharge (ESD) protection design
- Comply with DMX-512 (1990)
- External driver to comply with 1~10V ,leading edge and dali dimming system
- Integrated fired-resistant (V0) IP67 U.S.A 5 Pin connectors
- Display to 16,777,216 colors in RGB version
- Frame per second:>100 FPS at DMX 512 control
- Dimmable range:0~255 steps at DMX 512 dimming control
- 256 gradations for RGB version individually
- Built-in constant current circuit with PWM signal > 400Hz

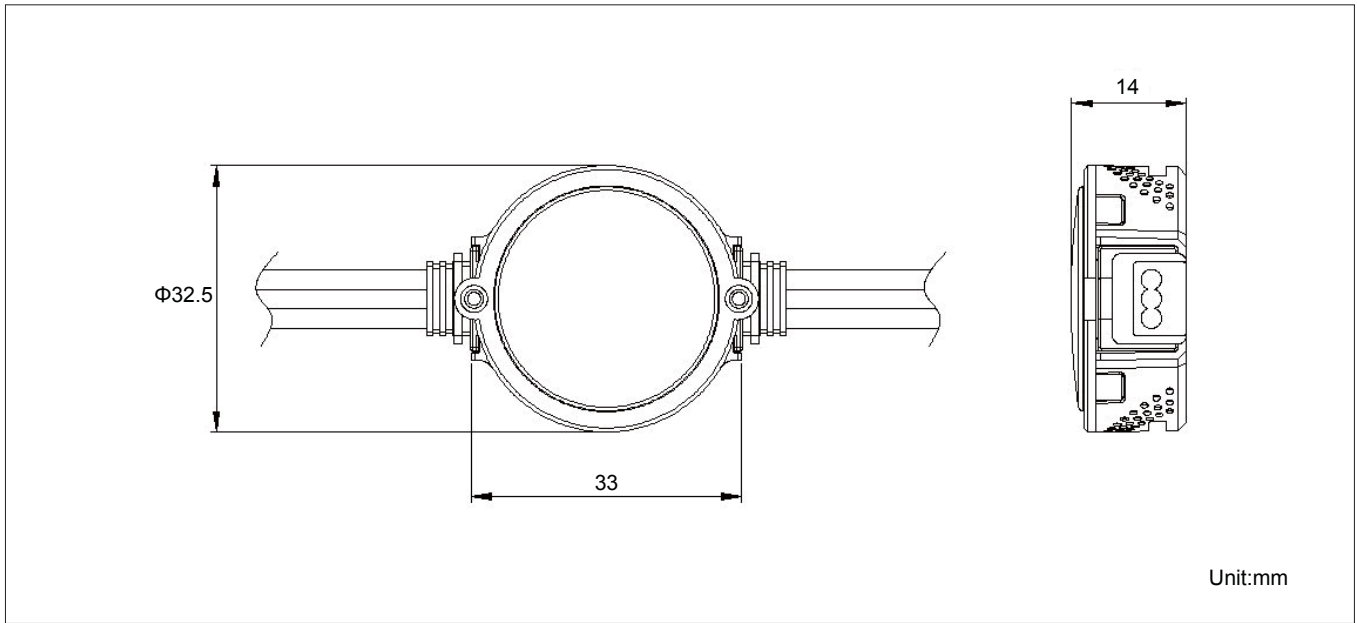
Applications:

- Outdoor plaza
- The house of contours
- Bridges
- Landscape lighting

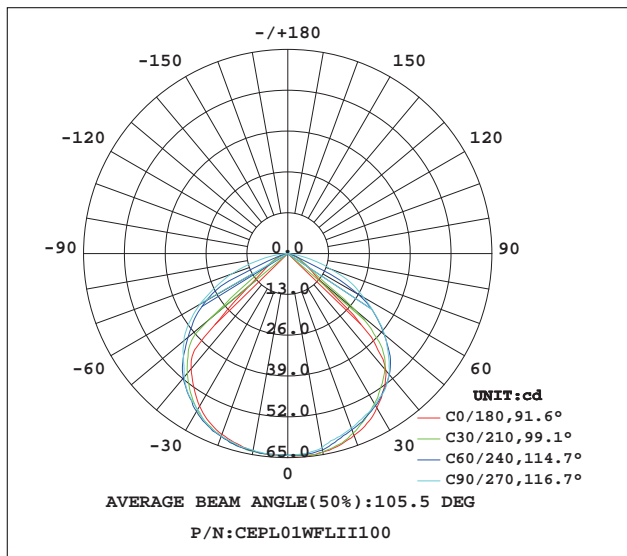
LOGIC II Series



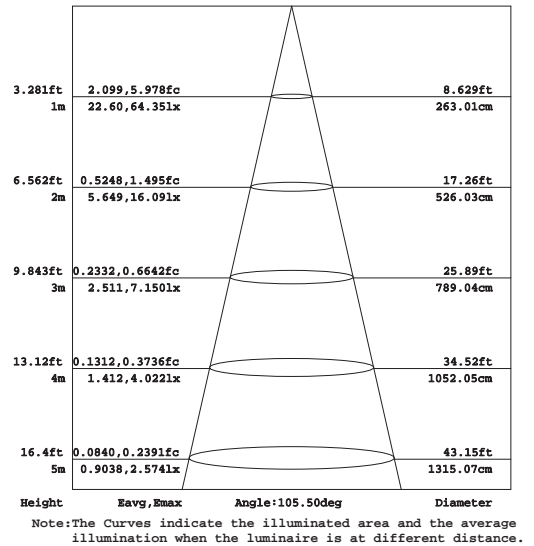
Product Dimensions:



Luminous Intensity Distribution Diagram:



Lux Distribution:



Manufacturing Quality Standard:

- ISO 9001:2008

LED Luminaire Standard:

- EN/IEC 60598-1
- EN/IEC 60598-2-1
- EN/IEC 60598-2-2
- EN/IEC 60529
- EN/IEC 62471-2
- IEC 62612
- EN/IEC 60968
- IEC 62560
- EN/IEC 60061-1
- EN 13032-1
- EN 13032-2
- EN/IEC 62471
- EN/IEC 60825
- EN 60061-1
- UL

Electronic Driver Standard:

- EN/IEC 61347-1
- EN/IEC 61347-2-13
- EN/IEC 62384
- EN/IEC 61000-3-2
- EN/IEC 61000-3-3
- EN/IEC 61547
- EN 55015(CISPR 15)

LED Module Standard:

- IEC 62031
- IEC 60838-2-2

LED Light Photometric Standard:

- CIE; TM14; LM-75; IES; LDT; CEN; CIB

RoHS Standard:

- EPA3050B
- EN 1122B
- IEC 62321
- EPA3052
- EPA3060A
- EPA7196A
- EPA3540C
- EPA8270D

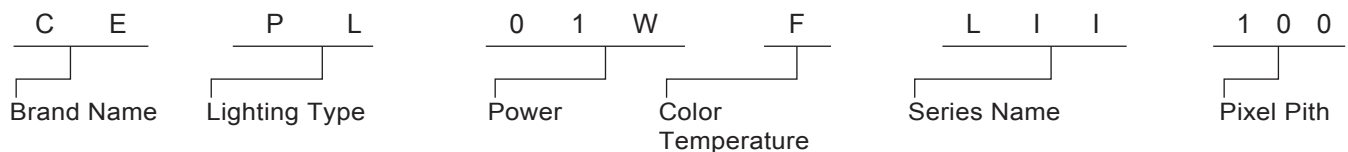
LED Luminaire Performance:

- LM-80-08
- Switching cycle:100,000x

Specifications:

Power	1W	
Color	Monocolor	RGB
DMX512 Channel Per Luminaire	1	3
Qty of LEDs	3PCS	
Pixel Pitch	300mm / 200mm / 100mm / Tailor-made (TM)	
Qty of Pixel / Strip	8PCS	
Input Voltage	DC 15V	
Control Protocol(optional)	DMX 512	
Beam Angle	120°	
Color Rendering Index	80@White Color	
Luminaire Efficacy	*75lm/w(2700K), *80lm/w(3000K), *90lm/w(4000K), *95lm/w(5000K), *100lm/w(6500K),	*20lm/w(RGB), *10lm/w(Blue 450~160nm), *50lm/w(Red 620~630nm), *65lm/w(Green 520~530nm), *30lm/w(Yellow 589~595nm)
LED Source Efficacy	*90lm/w(2700K), *95lm/w(3000K), *110lm/w(4000K), *115lm/w(5000K), *120lm/w (6500K),	*35lm/w(RGB), *20lm/w(Blue 450~460nm), *70lm/w(Red 620~630nm), *80lm/w(Green 520~530nm), *50lm/w(Yellow 589~595nm)
LED Source	CREE / Taiwan Epistar	
Life Time	50,000 Hours	
Operating Temperature	-20°C~70°C	
Operating Humidity	0~99%RH	
Finishing Materials	Polycarbonate	
Body Color	Sliver / Matte Black / Matte Grey / Tailor-made	
RAL Color Code	9006 / 9017 / 7042 /	

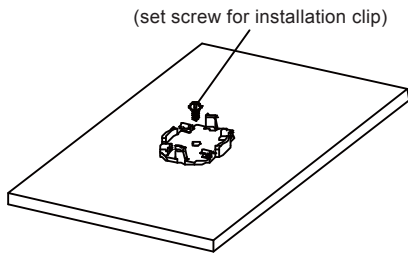
Ordering Part No.:



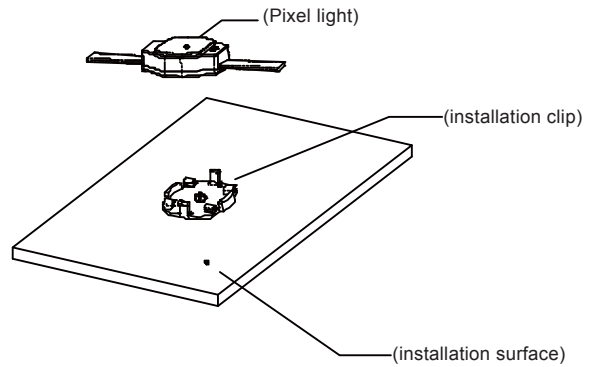
Brand Name	Lighting Type	Power / Pixel	Color Temperature	Series Name	Pixel Pith (mm)
CE: CELEX	PL: Pixel Light	1W	O: 2700K W: 3000K N: 4000K D: 5000K C: 6500K R: Red(620~630nm) G: Green(520~530nm) B: Blue(450~460nm) Y: Yellow(590~595nm) F: Full Color(RGB)	LII: LOGIC II Series	100 200 300 TM

Installation Guide:

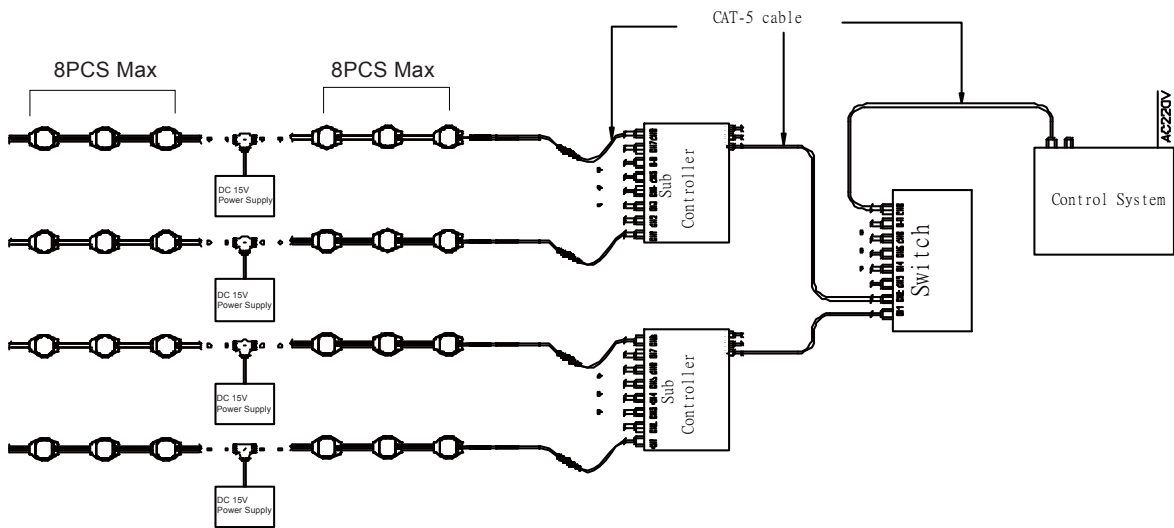
Step1: Fix M3 screw on the installation clip, pixel pitch should be based on lighting fixture length



Step2: Clip the LED lighting node on installation facade after fasten installation clip.



Offline Controlling System Diagram



Online Controlling System Diagram

