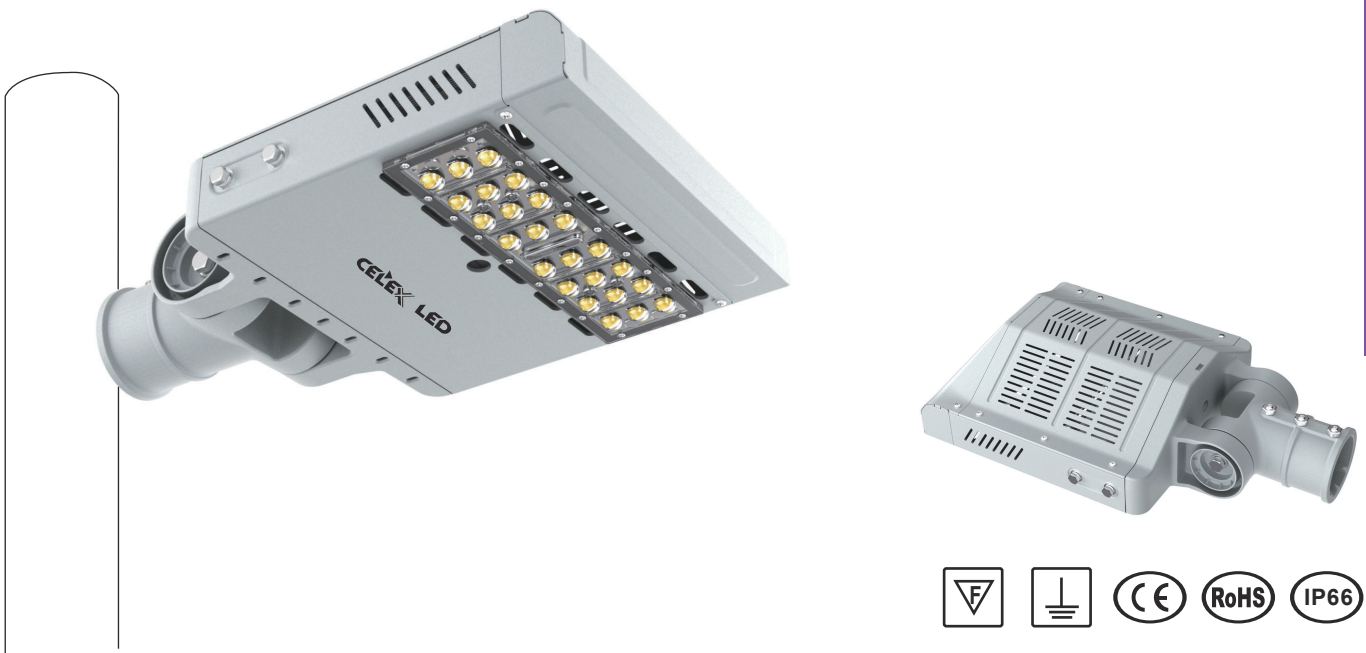


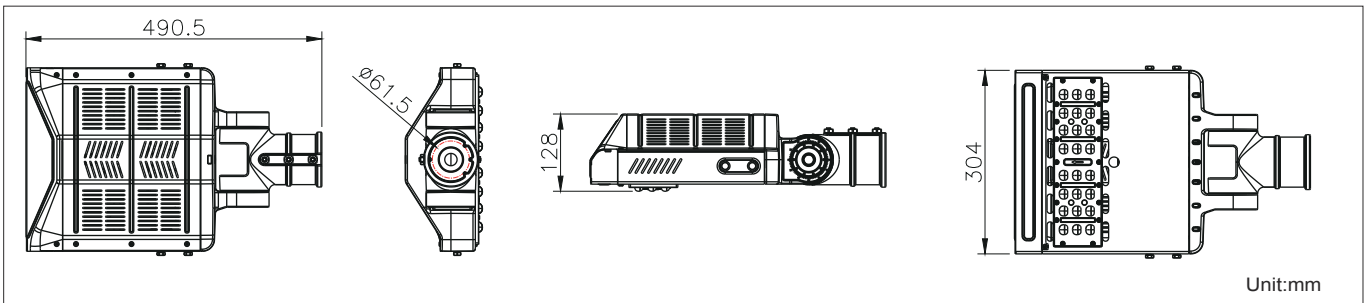
**LEGO Series** (CE) (RoHS) (IP66)

LEGO series LED street light features with simple and fashion design, it is built under modern design concept which is reliable and energy-saving. with modern design and high efficiency LED driver technology LEGO provides excellent solutions for roadway illumination. LEGO LED street light not only meet large project's lighting requirement but also meet the concept of city sustainable development.

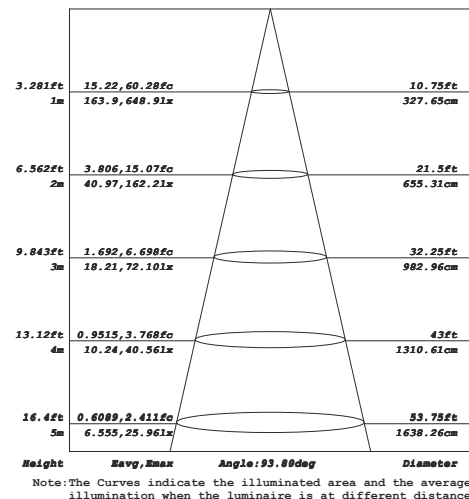
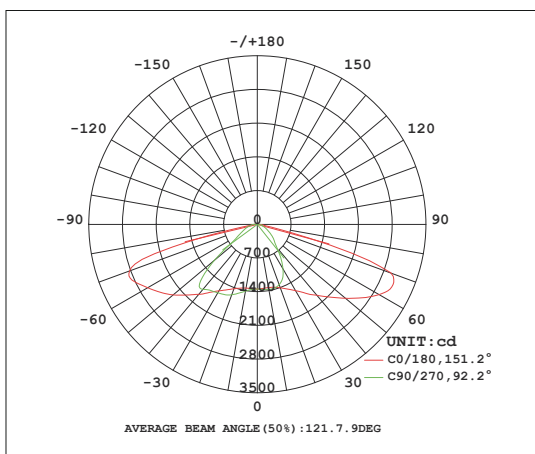




Product Dimensions:



Luminous Intensity Distribution Diagram & Isocandela Diagram:



Manufacturing Quality Standard:

- ISO 9001:2008

LED Luminaire Standard:

- EN/IEC 60598-1
- EN/IEC 60598-2-1
- EN/IEC 60598-2-2
- EN/IEC 60529
- EN/IEC 62471-2
- IEC 62612
- EN/IEC 60968
- IEC 62560
- EN/IEC 60061-1
- EN 13032-1
- EN 13032-2
- EN/IEC 62471
- EN/IEC 60825
- EN 60061-1

LED Module Standard:

- IEC 62031
- IEC 60838-2-2

Electronic Driver Standard:

- EN/IEC 61347-1
- EN/IEC 61347-2-13
- EN/IEC 62384
- EN/IEC 61000-3-2
- EN/IEC 61000-3-3
- EN/IEC 61547
- EN 55015(CISPR 15)

RoHS Standard:

- EPA3050B
- EN 1122B
- IEC 62321
- EPA3052
- EPA3060A
- EPA7196A
- EPA3540C
- EPA8270D

LED Luminaire Performance:

- LM-80-08
- Switching cycle:100,000x

LED Light Photometric Standard:

- CIE; TM14; LM-75; IES; LDT; CEN; CIB

## Features:

- Anode oxidized 6063 aluminum alloy and polycarbonate cover
- Protected against dust entry and water jets IP66
- Built-in IP66 class II Meanwell LED driver complied with UL, CSA, TUV and EMC standard
- High power factor (>0.9) and power efficiency design
- Adjustable Lamp pole Arm design easy to install and maintain
- The upward light ratio of luminaire less than 2%
- Optional: 10KV surge protection

## Applications:

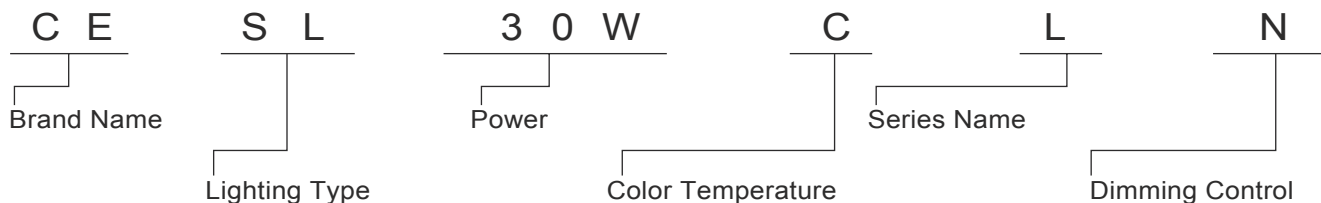
- Park Light
- Street Light



## Specifications:

|                           |  |
|---------------------------|--|
| Power                     | 30W / 40W  |
| Qty of LEDs               | 56PCS (1x56)   |
| Input Voltage             | AC 200-240V 50/60Hz  |
| Driver Efficiency         | 90%  |
| Power Factor              | >0.95  |
| Total Harmonic Distortion | <20%   |
| Beam Angle                | 150°x90°   |
| Color Rendering Index     | >70  |
| Luminaire Efficacy        | 135lm/W (2700K), 145lm/W (3000K), 150lm/W (4000K), 155lm/W (6500K) |
| LED Source Efficacy       | 150lm/W (2700K), 170lm/W (3000K), 175lm/W (4000K), 180lm/W (6500K) |
| Operating Temperature     | -20°C~50°C   |
| LED Source                | CREE / LUMILEDS / NICHIA / OSRAM                                   |
| Life Time                 | 50,000 Hours   |
| Operating Humidity        | 0~100%RH   |
| Finishing Materials       | Aluminum and Polycarbonate (Anti-UV)                               |
| IK Index                  | IK 08  |
| Body Color                | Silver Grey  |
| RAL Color Code            | RAL 7001   |
| Net Weight                | 3430g  |

## Ordering Part No.:



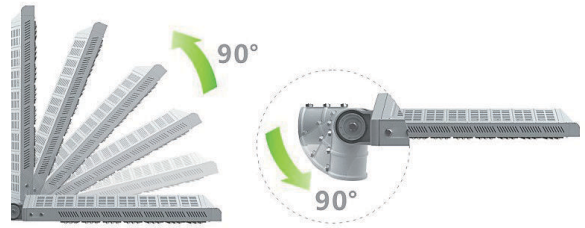
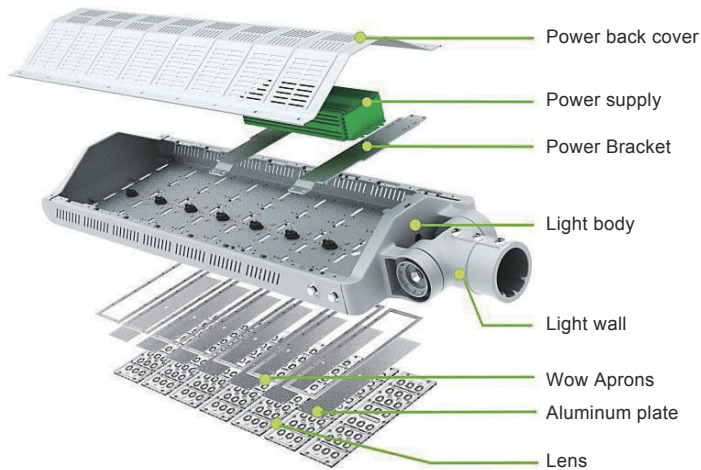
| Brand Name | Lighting Type    | Power      | Color Temperature                            | Series Name       | Dimming Control   |
|------------|------------------|------------|--|-------------------|---|
| CE: CELEX  | SL: Street Light | 30W<br>40W | O: 2700K<br>W: 3000K<br>N: 4000K<br>C: 6500K | L:<br>LEGO Series | N: Switch In(ON/OFF)<br>V: 0-10V Dimming<br>D: DALI Dimming<br>PP: Pre-Programme Time Control |



# LED Street Light LEGO Series 30W&40W&55W



## Structure Detail:

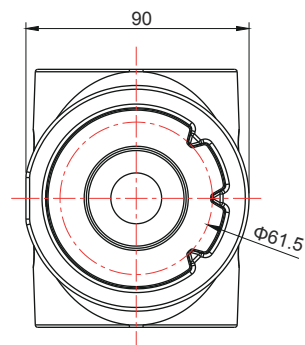
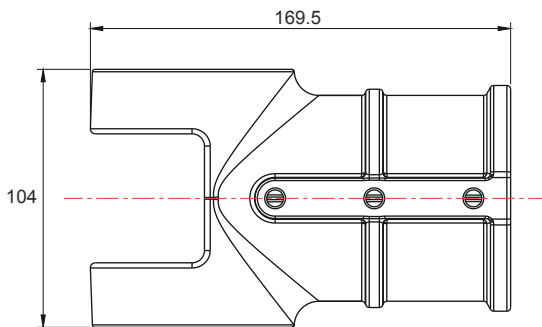


Light-up and 90 °

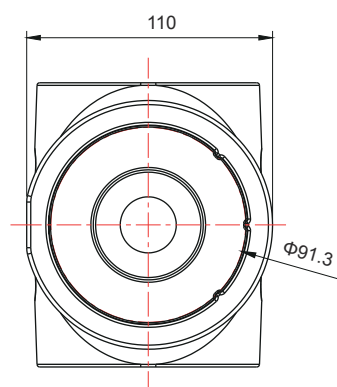
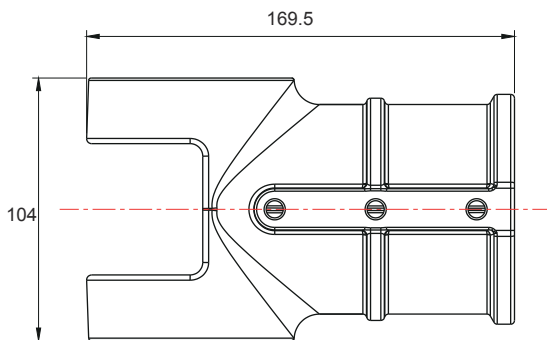
Down and 90 °

## Accessories:

1. Lamp Pole Arm  $\Phi 60\text{mm}$   
P/N: CEGOAMR-60



2. Lamp Pole Arm  $\Phi 90\text{mm}$   
P/N: CEGOAMR-90



Unit: mm

