

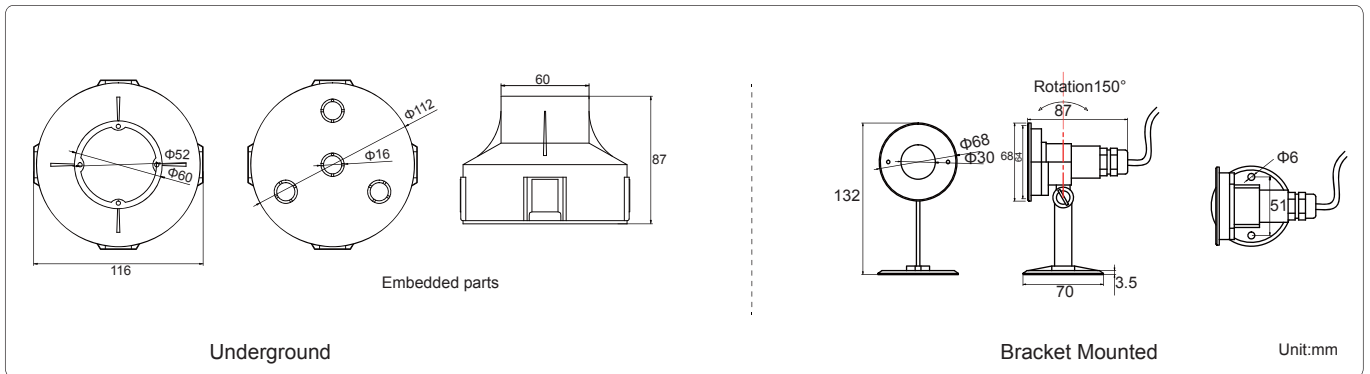


Underground

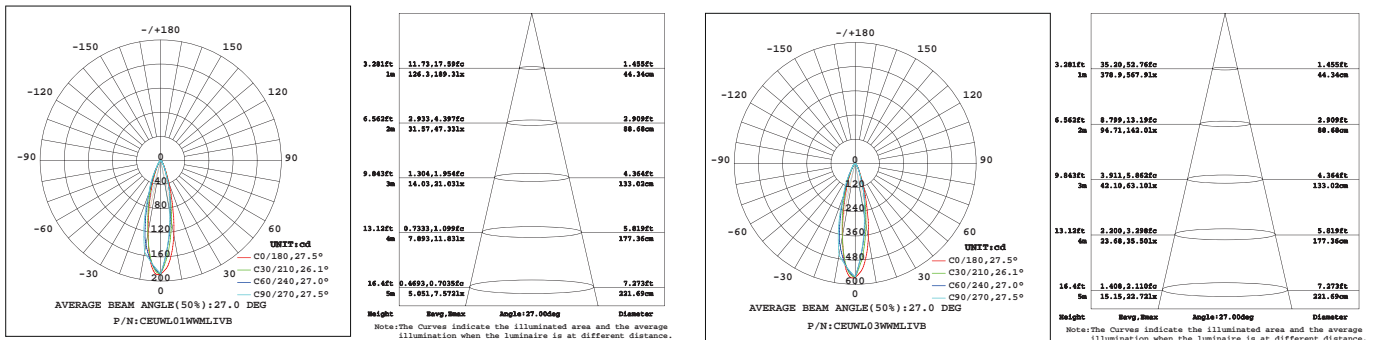


Bracket Mounted

Product Dimensions:



Luminous Intensity Distribution Diagram & Lux Distribution:



Manufacturing Quality Standard:

- ISO 9001:2008

LED Luminaire Standard:

- EN/IEC 60598-1
- EN/IEC 60598-2-1
- EN/IEC 60598-2-2
- EN/IEC 60529
- EN/IEC 62471-2
- IEC 62612
- EN/IEC 60968
- IEC 62560
- EN/IEC 60061-1
- EN 13032-1
- EN 13032-2
- EN/IEC 62471
- EN/IEC 60825
- EN 60061-1

LED Module Standard:

- IEC 62031
- IEC 60838-2-2

RoHS Standard:

- EPA3050B
- EN 1122B
- IEC 62321
- EPA3052
- EPA3060A
- EPA7196A
- EPA3540C
- EPA8270D

LED Light Photometric Standard:

- CIE; TM14; LM-75; IES; LDT; CEN; CIB

Electronic Driver Standard:

- EN/IEC 61347-1
- EN/IEC 61347-2-13
- EN/IEC 62384
- EN/IEC 61000-3-2
- EN/IEC 61000-3-3
- EN/IEC 61547
- EN 55015(CISPR 15)

LED Luminaire Performance:

- LM-80-08
- Switching cycle:100,000x

Features:

- Concise & smart design.
- Stainless steel cover #316, super corrosion resistance and durability.
- Special heat-sink design, excellent heat dissipation prolongs LED's life time.
- Multi-waterproof measures, high efficiency & long-life of LED light source.
- Intensified PVC mounting sleeve with 4pcs of sliding side-covers for power cord outlet, easy to install.
- 3 meter cable, easy maintenance.
- Support RGB multi-color type.

Application:

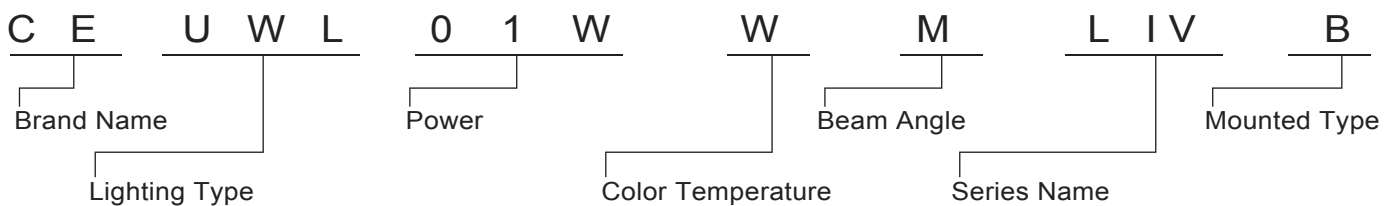
- Road
- Sculpture
- Walkway
- Park
- Clump
- Bridge
- Swimming Pools



Specifications:

Power	1W / 3W
Input Voltage	DC 24V
Beam Angle	Symmetrical: 15° / 30° Asymmetrical: 45°
Color Rendering Index	80
Housing Materials	Aluminum and Tempered Glass
Luminaire Efficacy	* 50lm/w (2700K), *55lm/w(3000K),*60lm/w(4000K), *70lm/w (5000K),*75lm/w(6500K)
LED Source Efficacy	* 90lm/w (2700K),*100lm/w(3000K),*110lm/w(4000K),*120lm/w(5000K),*125lm/w (6500K)
Operating Temperature	-20~50°C
LED Source	CREE
Life Time	50,000 Hours
Humidity	10%~99%RH
Body Color	Matte Black and Stainless #316 Cover
RAL Color Code	RAL 9017
Net Weight	0.6 kg

Ordering Part No.:



Brand Name	Lighting Type	Power	Color Temperature	Beam Angle	Series Name	Mounted Type
CE: CELEX	UWL: Underwater Light	01W 03W	O: 2700K W: 3000K N: 4000K D: 5000K C: 6500K F: RGB	S: 15° M: 30° AL: 45°	LIV: LANDMINE IV Series	B: Bracket Mounted U: Underground Mounted