

LED Bulb JUPITER Series (Dimmable)



Milky cover

Clear Cover

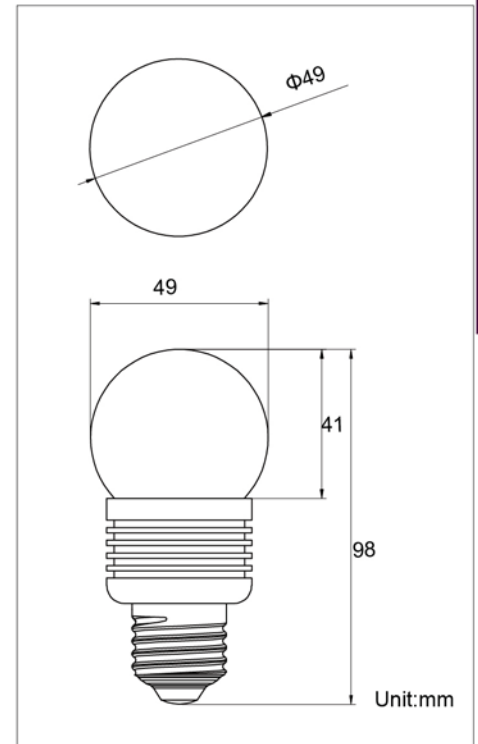
5w

10w

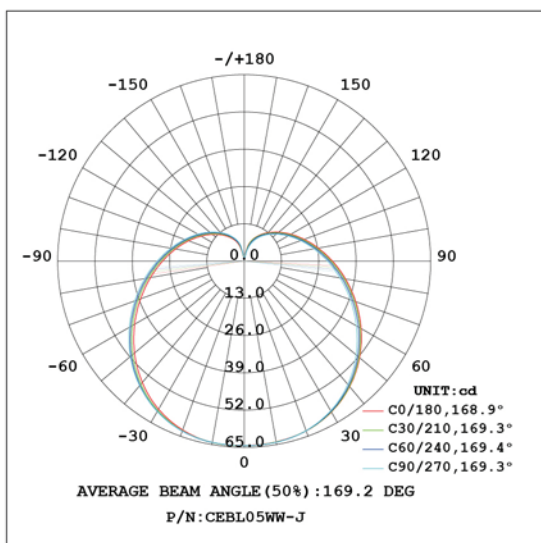
50w



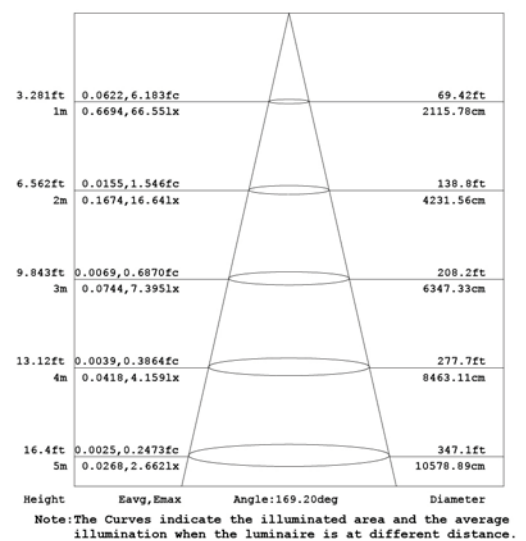
Product Dimensions:



Luminous Intensity Distribution Diagram:



Lux Distribution:



Manufacturing Quality Standard:

- ISO 9001:2008

LED Luminaire Standard:

- EN/IEC 60598-1
- EN/IEC 60598-2-1
- EN/IEC 60598-2-2
- EN/IEC 60529
- EN/IEC 62471-2
- IEC 62612
- EN/IEC 60968
- IEC 62560
- EN/IEC 60061-1
- EN 13032-1
- EN 13032-2
- EN/IEC 62471
- EN/IEC 60825
- EN 60061-1

Electronic Driver Standard:

- EN/IEC 61347-1
- EN/IEC 61347-2-13
- EN/IEC 62384
- EN/IEC 61000-3-2
- EN/IEC 61000-3-3
- EN/IEC 61547
- EN 55015(CISPR 15)

LED Module Standard:

- IEC 62031
- IEC 60838-2-2

RoHS Standard:

- EPA3050B
- EN 1122B
- IEC 62321
- EPA3052
- EPA3060A
- EPA7196A
- EPA3540C
- EPA8270D

LED Luminaire Performance:

- Switching cycle: 100,000x

LED Light Photometric Standard:

- CIE; TM14; LM-75; IES; LDT; CEN; CIB

Features:

- Can replace 50W Tungsten Bulb
- Can replace 10W Compact Fluorescent Lamp
- Polycarbonate milky diffuser for UGR standard
- High pressure die-casting aluminum housing
- Excellent cooling system
- UV and IR Free

Applications:

- Home Lighting
- Shopping Mall Lighting
- Down Light



Specifications:

Part No	CCT (K)	Beam Angle	Color Rendering Index	Beam Intensity (cd)	Luminaire Luminous (lm)	Power (W)	Socket	Cover	Dimmable
CEBL05WW-J	3000	170°	80	50	400	5	E27	Milky	Yes
CEBL05WN-J	4000	170°	80	55	420	5	E27	Milky	Yes
CEBL05WC-J	6500	170°	80	60	450	5	E27	Milky	Yes
CEBL05WW-JC	3000	170°	80	50	430	5	E27	Clear	Yes
CEBL05WN-JC	4000	170°	80	55	450	5	E27	Clear	Yes
CEBL05WC-JC	6500	170°	80	60	480	5	E27	Clear	Yes

General And Electrical Characteristics:

- Input Voltage: AC 220~240V 50/60Hz
- Operating Temperature: -20°C ~ 50°C
- Life Time: 50,000 Hours (Ta=25°C)
- Housing Materials: Aluminum / Polycarbonate
- Body Color: Silver / White
- LED Type: SMD
- Net Weight: 76g

