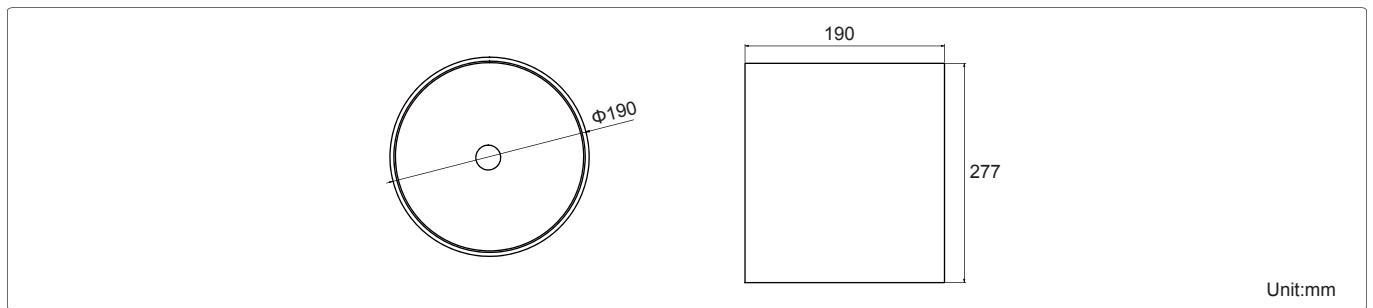
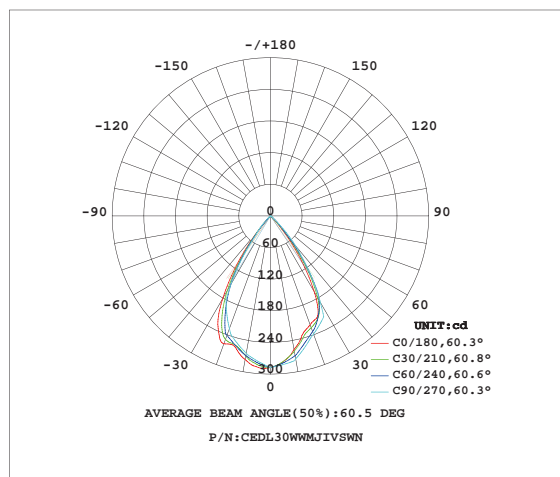




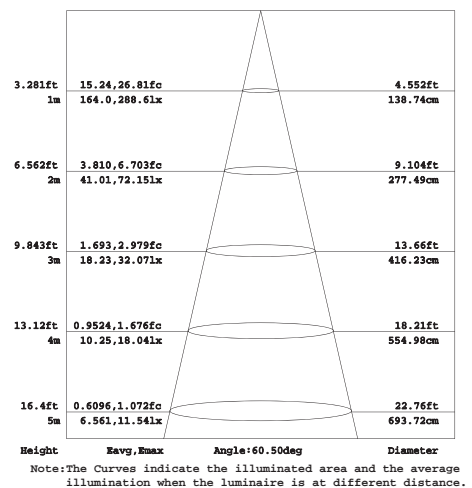
**Product Dimensions:**



**Luminous Intensity Distribution Diagram:**



**Lux Distribution:**



**Manufacturing Quality Standard:**

- ISO 9001:2008
- LED Luminaire Standard:**
  - EN/IEC 60598-1
  - EN/IEC 60598-2-1
  - EN/IEC 60598-2-2
  - EN/IEC 60529
  - EN/IEC 62471-2
  - IEC 62612
  - EN/IEC 60968
  - IEC 62560
  - EN/IEC 60061-1
  - EN 13032-1
  - EN 13032-2
  - EN/IEC 62471

**Electronic Driver Standard:**

- EN/IEC 61347-1
- EN/IEC 61347-2-13
- EN/IEC 62384
- EN/IEC 61000-3-2
- EN/IEC 61000-3-3
- EN/IEC 61547
- EN 55015(CISPR 15)

**LED Module Standard:**

- IEC 62031
- IEC 60838-2-2

**LED Light Photometric Standard:**

- CIE, TM14; LM-75; IES; LDT; CEN; CIB

**RoHS Standard:**

- EPA3050B
- EN 1122
- IEC 62321
- EPA3052
- EPA3060A
- EPA7196A
- EPA3540C
- EPA8270C

**LED Luminaire Performance:**

- IESNA LM-79-08
- IESNA LM-80-08
- Switching cycle:100,000x

**Emergency Standard:**

- With CELEX-LED Emergency System
- HKFSD PPA 104A(4th Revision)
- EN 60598-2-22
- BS 6387
- BS EN 60598-2-22
- EN 61347-2-7
- BS EN 60702-2
- BS 5266-1
- BS 6207-3

## Features:

- Surface mounted type
- Die casting aluminum
- Static spray coating surface
- Unique fin design
- Uniform illumination with special diffuser
- High power efficiency (>0.85) and power factor(>0.9)
- Optional 1~10V driver for dimming control
- Optional dali driver for dimming control
- Optional DMX driver for dimming control
- Optional battery kit for emergency lighting
- Optional DMX driver for DMX512 dimming control

## Applications:

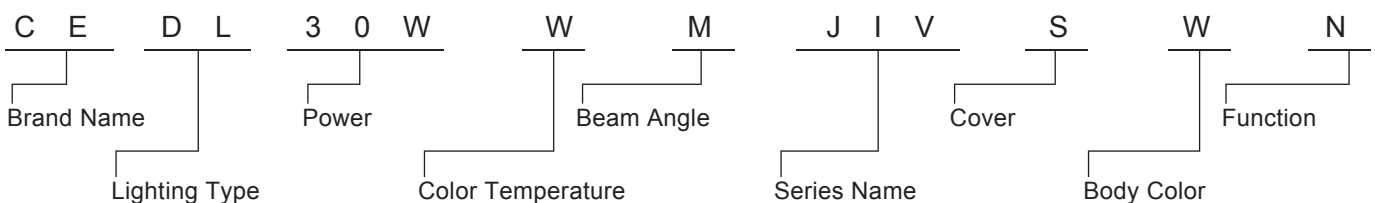
- Home use
- Hotel Lounges
- Restaurants
- Halls and clubs
- Ballrooms



## Specifications:

Power	30W
Input Voltage	AC 100~240V 50/60Hz
Power Factor	>0.9
Beam Angle	20° / 60°
Color Rendering Index	80
Luminaire Efficacy	70lm/w(2700K), 75lm/w(3000K), 80lm/w(4000K), 85lm/w(5000K),90lm/w(6500K)
LED Source Efficacy	95lm/w(2700K), 100lm/w(3000K), 110lm/w(4000K), 115lm/w(5000K),120lm/w(6500K)
LED Source	LED COB
Life Time	50,000 Hours at Ta=40°C
Operating Temperature	-20~50°C
Operating Humidity	10%~90%RH
Finishing Materials	Aluminum and Tempered Glass
Body Color	Matte White / Matte Grey / Matte Black
RAL Color Code	RAL9003 / RAL9006 / RAL9005
Net Weight	3.55kg

## Ordering Part No.:



Brand Name	Lighting Type	Power	Color Temperature	Beam Angle	Series Name	Mounted Type	Body Color	Function
CE: CELEX	DL: Down Light	30W	O: 2700K W: 3000K N: 4000K D: 5000K C: 6500K	S:20° M:60°	JIV: JIHA IV Series	S: Surface Mounted	W:Matte White G: Matte Grey B: Matte Black	D:DMX 512 Dimming E:Emergency(3hrs) N:Switch In T:Triac Dimming Leading Edge V:1~10V Dimming I: Dali Dimming