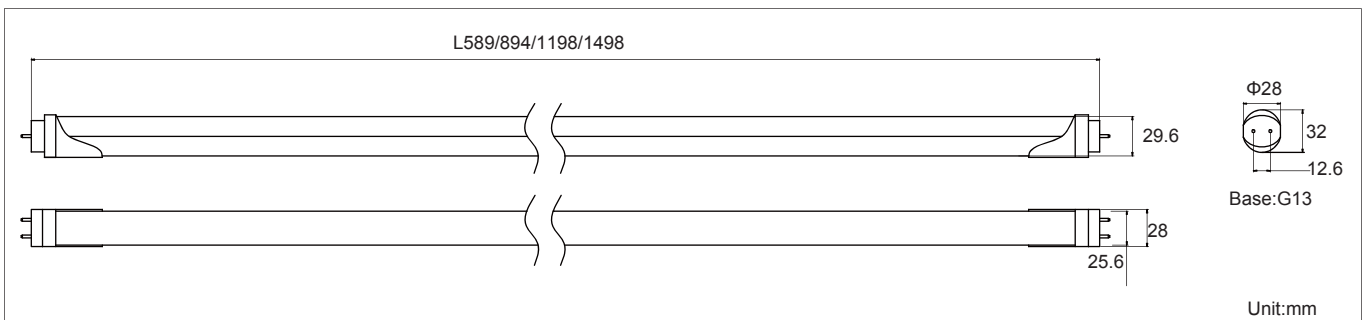
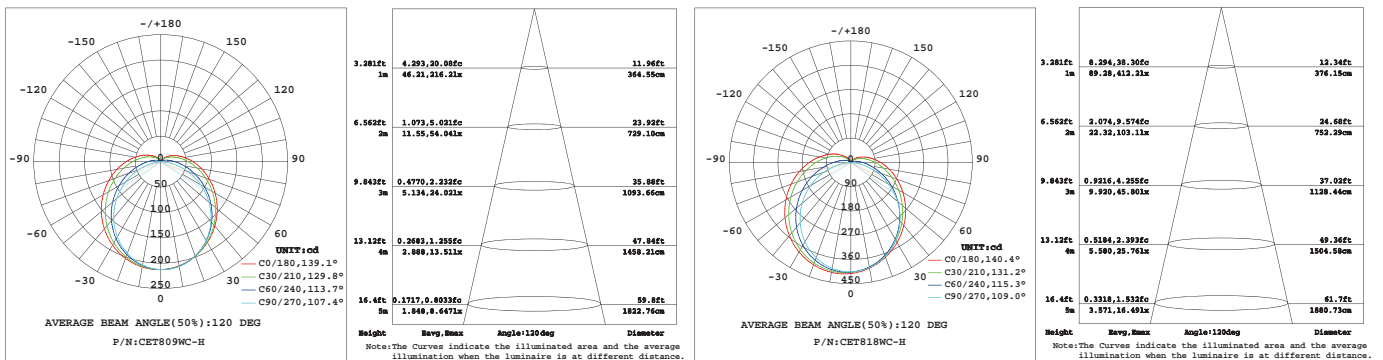




**Product Dimensions:**



**Luminous Intensity Distribution Diagram & Lux Distribution:**



**Manufacturing Quality Standard:**

- ISO 9001:2008

**LED Luminaire Standard:**

- EN/IEC 60598-1
- EN/IEC 60598-2-1
- EN/IEC 60598-2-2
- EN/IEC 60529
- EN/IEC 62471-2
- IEC 62612
- EN/IEC 60968
- IEC 62560
- EN/IEC 60061-1
- EN 13032-1
- EN 13032-2
- EN/IEC 62471
- EN/IEC 60825
- EN 60061-1

**Electronic Driver Standard:**

- EN/IEC 61347-1
- EN/IEC 61347-2-13
- EN/IEC 62384
- EN/IEC 61000-3-2
- EN/IEC 61000-3-3
- EN/IEC 61547
- EN 55015(CISPR 15)

**LED Module Standard:**

- IEC 62031
- IEC 60838-2-2

**LED Light Photometric Standard:**

- CIE; TM14; LM-75; IES; LDT; CEN; CIB

**RoHS Standard:**

- EPA3050B
- EN 1122B
- IEC 62321
- EPA3052
- EPA3060A
- EPA7196A
- EPA3540C
- EPA8270D

**LED Luminaire Performance:**

- Switching cycle:100,000x
- LM-79-08
- LM-80-08

## Features:

- Can replace 20W~70W T8 fluorescent tube
- Can replace 14W~50W T5 fluorescent tube
- Polycarbonate milky diffuser for Uniform illumination
- High quality stretching aluminum housing
- High power factor and power efficiency design
- Built-in ballast constant current power supply
- 1~10V optional dimmable function

## Applications:

- Car Park
- Office
- Shopping Mall



## Specifications:

Part No	Size (mm)	CCT (K)	Beam Angle	Color Rendering Index	Luminaire Luminous Flux (lm)	Power (w)
CET809WW-H	589	3000	120°	80	750	9
CET809WN-H	589	4000	120°	80	800	9
CET809WC-H	589	6500	120°	80	900	9
CET813WW-H	894	3000	120°	80	1100	13
CET813WN-H	894	4000	120°	80	1200	13
CET813WC-H	894	6500	120°	80	1300	13
CET818WW-H	1198	3000	120°	80	1600	18
CET818WN-H	1198	4000	120°	80	1700	18
CET818WC-H	1198	6500	120°	80	1800	18
CET822WW-H	1498	3000	120°	80	1980	22
CET822WN-H	1498	4000	120°	80	2050	22
CET822WC-H	1498	6500	120°	80	2200	22

## General And Electrical Characteristics:

- Input Voltage: AC 220~240V(50/60Hz)
- Power Factor: >0.9
- Operating Temperature: -20~60°C
- Operating Humidity: 0~95%
- Life Time: 50,000 Hours (Ta=40°C)
- Housing Materials: Aluminum/Milky Polycarbonate
- LED Source: Taiwan / Korea

## Installation Manual:

