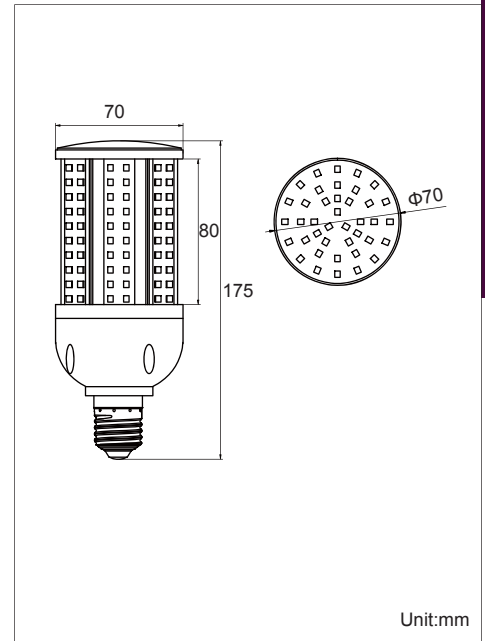


## Product Dimensions:



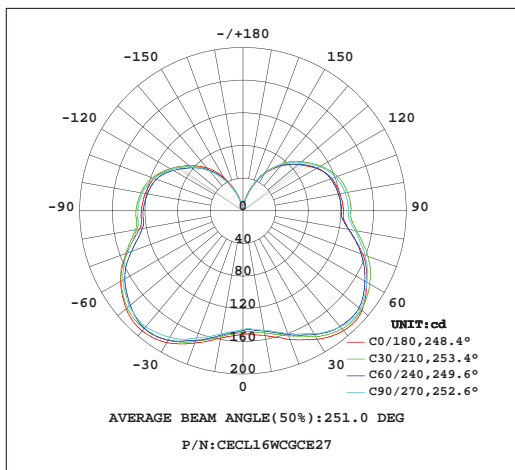
## Advantages

**1** SMD3527 110lm/w

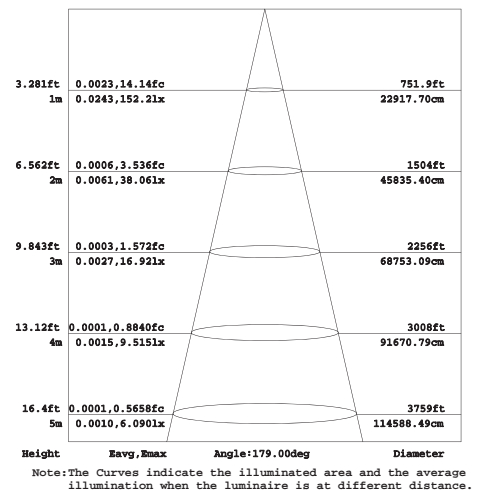
**2** 360 degree beam angle

**3** flame retardant material

## Luminous Intensity Distribution Diagram:



## Lux Distribution:



### Manufacturing Quality Standard:

• ISO 9001:2008

### LED Luminaire Standard:

- EN/IEC 60598-1
- EN/IEC 60061-1
- EN/IEC 60598-2-1
- EN 13032-1
- EN/IEC 60598-2-2
- EN 13032-2
- EN/IEC 60529
- EN/IEC 62471
- EN/IEC 62471-2
- EN/IEC 60825
- IEC 62612
- EN 60061-1
- EN/IEC 60968
- IEC 62560

### Electronic Driver Standard:

- EN/IEC 61347-1
- EN/IEC 61000-3-3
- EN/IEC 61347-2-13
- EN/IEC 61547
- EN/IEC 62384
- EN 55015(CISPR 15)
- EN/IEC 61000-3-2

### LED Module Standard:

- IEC 62031
- IEC 60838-2-2

### RoHS Standard:

- EPA3050B
- EPA7196A
- EN 1122B
- EPA3540C
- IEC 62321
- EPA8270D
- EPA3052
- EPA3060A

### LED Luminaire Performance:

- Switching cycle:100,000x

### LED Light Photometric Standard:

- CIE; TM14; LM-75; IES; LDT; CEN; CIB

### Features:

- Samsung led, high lumen, above 110lm/w
- Replace HPS, CFL, halide bulb

### Applications:

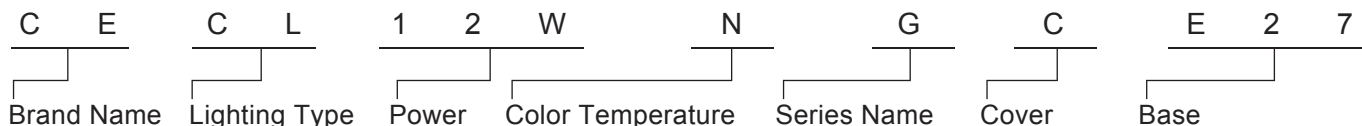
- Street
- Garden
- Warehouse
- Park



### Specifications:

Power	12W	16W	20W	24W
LED Quantity	136PCS	160PCS	210PCS	240PCS
Net Weight	291g	313g	355g	390g
Input Voltage	AC 85~265V 50/60Hz			
Power Factor	≥0.9			
Beam Angle	265°			
Color Rendering Index	80			
Luminaire Efficacy	* 100lm/w (3000K), * 105lm/w (4000K), * 110lm/w (6500K)			
LED Source	Epistar			
Life Time	50,000 Hours at Ta=40°C			
Operating Temperature	-20~50°C			
Operating Humidity	10%~90%RH			
Finishing Materials	Milky / Clear Polycarbonate			
Body Color	Matt White			
RAL Color Code	6016			

### Ordering Part No.:



Brand Name	Lighting Type	Power	Color Temperature	Series Name	Cover	Base
CE: CELEX	CL: Corn Light	12W 16W 20W 24W	W: 3000K N: 4000K C: 6500K	G: GRENADE Series	M: Milky Polycarbonate C: Clear Polycarbonate	E27 E40

## Application

